

Table linked, or pasted, into Sheet model at scale = 1
Blank Excel template, available on the website

Title text:
Font = Verdana, Italic, Bold
Size = 10

Thin black outline around subtitles and rows

GRANITE CANYON TRAILHEAD EROSION CONTROL QUANTITIES			
ITEM	DESCRIPTION	UNIT	TOTAL
15705-0100	SOIL EROSION CONTROL, SILT FENCE	LNFT	320
15705-1400	SOIL EROSION CONTROL, FIBER ROLL	LNFT	420
15706-1100	SOIL EROSION CONTROL, INLET PROTECTION	EACH	1
15706-1600	SOIL EROSION CONTROL, STABILIZED CONTRUCTION EXIT	EACH	1

GRANITE CANYON TRAILHEAD PAVEMENT MARKING QUANTITIES			
ITEM	DESCRIPTION	UNIT	TOTAL
63401-0700	PAVEMENT MARKINGS, TYPE D, SOLID (WHITE, CROSSWALKS AND STOP LINES)	LNFT	130
63401-0700	PAVEMENT MARKINGS, TYPE D, SOLID (WHITE, 4-INCH)	LNFT	340
63401-0700	PAVEMENT MARKINGS, TYPE D, SOLID (YELLOW, 4-INCH)	LNFT	50
63405-1350	PAVEMENT MARKINGS, TYPE D, STRAIGHT ARROW (WHITE)	LNFT	4
63405-1650	PAVEMENT MARKINGS, TYPE D, ACCESSIBILITY SYMBOL (WHITE)	LNFT	2
63502-0600	TEMPORARY TRAFFIC CONTROL, BARRICADE TYPE 3	EACH	6

Excel settings for tables:
Row Height = 15

GRANITE CANYON TRAILHEAD DEMOLITION QUANTITIES			
ITEM	DESCRIPTION	UNIT	TOTAL
20301-0200	REMOVAL OF BOULDER	EACH	56
20301-2400	REMOVAL OF SIGN	EACH	3
20302-0700	REMOVAL OF FENCE	LNFT	130
21101-1000	ROADWAY OBLITERATION, METHOD 1	SQYD	506

Body text:
Font = Verdana, Italic
Size = 8

Thin grey lines dividing listed items

Bold outline

GRANITE CANYON TRAILHEAD ROADWAY QUANTITIES			
ITEM	DESCRIPTION	UNIT	TOTAL
20401-0000	ROADWAY EXCAVATION	CUYD	1700
20403-0000	UNCLASSIFIED BORROW	CUYD	35
30103-2000	AGGREGATE BASE GRADING D	CUYD	620
31303-0000	AGGREGATE-TOPSOIL COURSE	CUYD	7
40101-5600	ASPHALT CONCRETE PAVEMENT, GYRATORY MIX, 1/2-INCH OR 3/4-INCH NOMINAL MAXIMUM SIZE AGGREGATE, 0.3 TO <3 MILLION ESAL	TON	617
40105-3000	ANTISTRIP ADDITIVE, TYPE 3	TON	6
41201-0000	TACK COAT	TON	1.2
50101-0600	MINOR CONCRETE PAVEMENT, REINFORCED, 6-INCH DEPTH (RUSTIC BROWN COLOR)	SQYD	42
60902-1000	CURB AND GUTTER, 13-INCH DEPTH	LNFT	770
61501-0500	SIDEWALK, EXPOSED AGGREGATE CONCRETE (4-INCH DEPTH)	SQYD	3
61501-0501	SIDEWALK, EXPOSED AGGREGATE CONCRETE (4-INCH DEPTH WITH 4' BY 4' SCORING)	SQYD	4
61501-0502	SIDEWALK, EXPOSED AGGREGATE CONCRETE (6-INCH DEPTH)	SQYD	10
61501-0800	SIDEWALK, AGGREGATE	SQYD	5
61503-2000	MEDIAN, EXPOSED AGGREGATE, CONCRETE (RIVER ROCK INLAY)	SQYD	325
61509-0000	DETECTABLE WARNING PANELS	SQYD	1
62405-0400	PLACING CONSERVED TOPSOIL, 6-INCH DEPTH	SQYD	1
62502-0000	TURF ESTABLISHMENT	SQYD	650
64603-0100	FIXTURE, TRASH RECEPTACLE (BEARSAVER CE340)	EACH	1
64603-0500	FIXTURE, KIOSK	EACH	1
64603-1000	FIXTURE, VAULT TOILET (CXT DOUBLE CASCADIAN WITH CHASE)	EACH	1

c:\pwwork\06630318\WA-NP-FOVA-101_pfr_sheets.dgn [Tabulation] 31 July 2024 11:30 AM

Table linked, or pasted, into Sheet model at scale = 1
See blank Excel template, available on the website

Title text:
Font = Verdana, Italic, Bold
Size = 10

Thin black line around column titles and rows

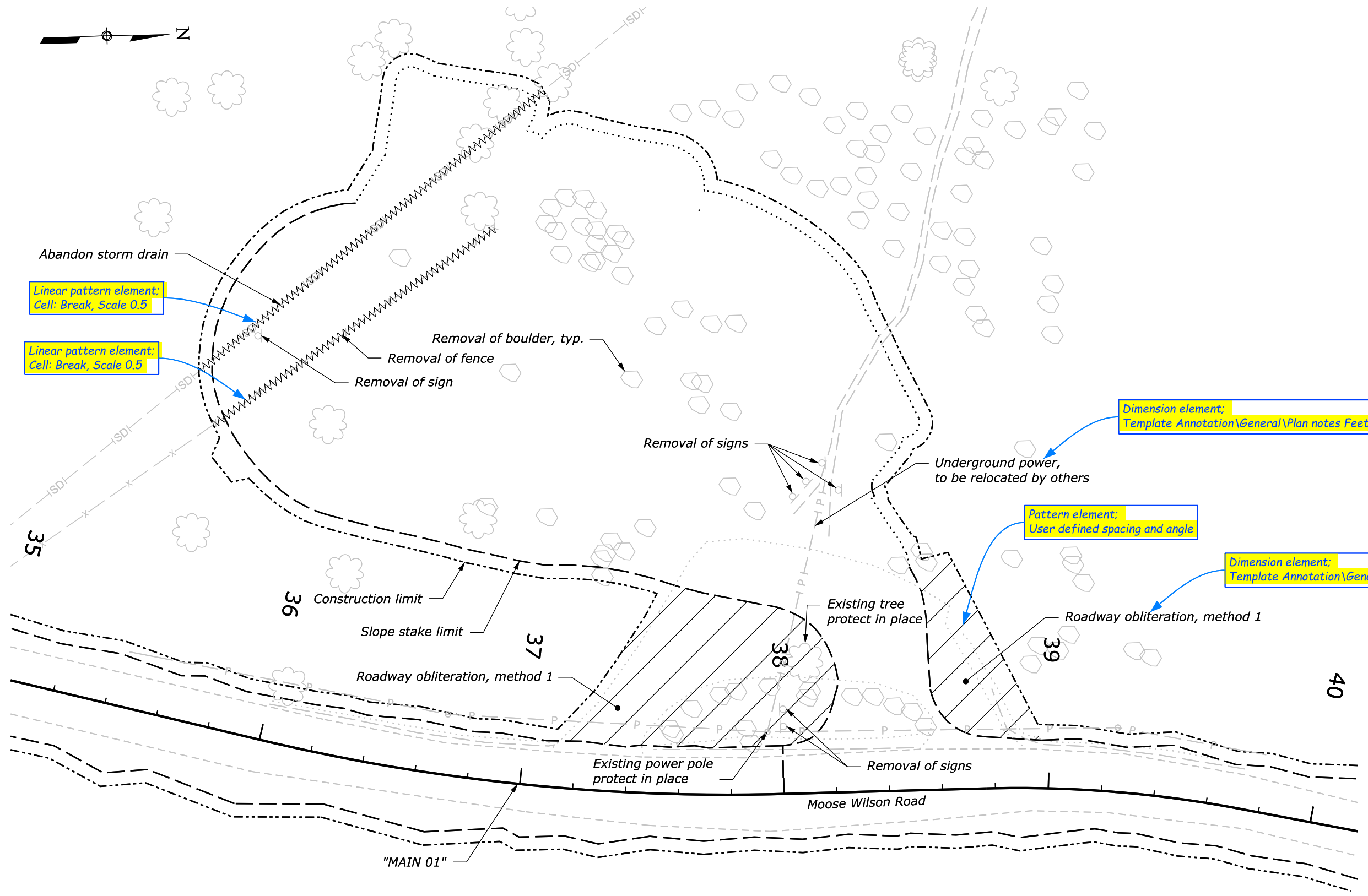
Excel settings for tables;
Row Height = 15

Bold outline

Thin grey lines dividing listed items

Body text:
Font = Verdana, Italic
Size = 8

Item 63301-0000 SIGN SYSTEM						
<i>SIGN No.</i>	<i>MUTCD No.</i>	<i>DESCRIPTION</i>	<i>WIDTH (IN)</i>	<i>HEIGHT (IN)</i>	<i>SQFT</i>	<i>QUANTITY (EA)</i>
1	Custom	VAN ACCESSIBLE PARKING PERMIT REQUIRED	6	12	0.5	1
2	Custom	VAN ACCESSIBLE PARKING PERMIT REQUIRED	6	12	0.5	1
3	R3-5a	ONLY (with straight arrow)	30	36	8	1
4	Custom	NO CAMPING	60	30	13	1
5	Custom	OVERNIGHT PARKING BY PERMIT ONLY	72	24	12	1
6	R1-1	STOP	36	36	9	1
7	R5-1	DO NOT ENTER	30	30	3	1
8	R5-1	DO NOT ENTER	30	30	3	1
9	Custom	NO PARKING	6	12	0.5	1
TOTAL						9



c:\pwwork\06630318\WA-NP-FOVA-101.dwg, demo.dgn [DEMO Plan] 30 April 2024 9:21 AM

**GRANITE CANYON TRAILHEAD
DEMOLITION PLAN**

Note element:
Template Annotation\General\Plan notes Feet

LEGEND


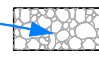
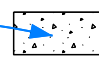
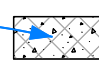

Text element:
Template Annotation\General\Note heading

Hatch: User defined spacing and angle.
For grey patterning, Template Auxiliary\AUX1
Override color/weight/style as needed

Pattern Riprap:
Library Work_dd

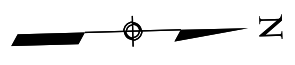
Pattern Concrete:
Library Work_dd

Pattern Concrete: Library Work_dd
and Crosshatch (user defined spacing and angle)

-  Minor concrete pavement, reinforced, 6-inch depth (rustic brown color)
-  Median, exposed aggregate concrete (river rock inlay)
-  Sidewalk, exposed aggregate concrete (4-inch depth)
-  Sidewalk, exposed aggregate concrete (4-inch depth with 4' by 4' scoring)
-  Sidewalk, exposed aggregate concrete (6-inch depth)

Line Element:
Template: Proposed\Perm TC\Markings Permanent

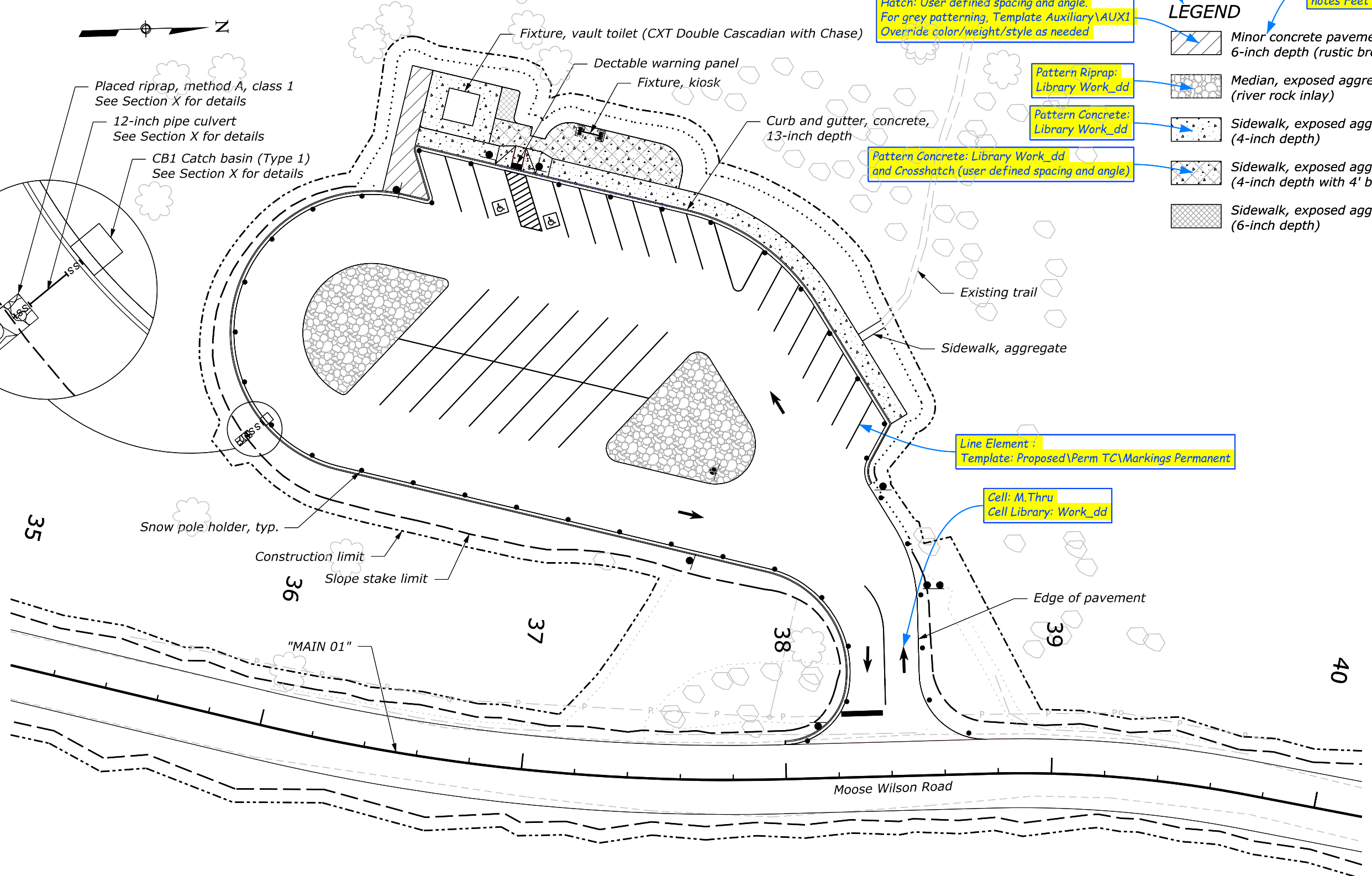
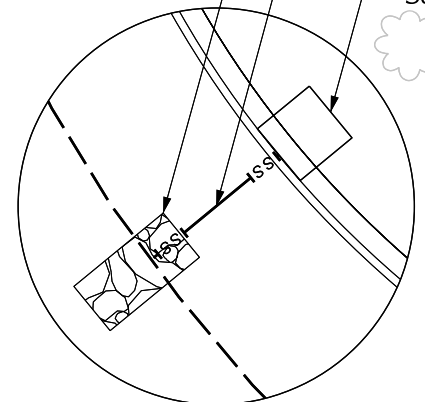
Cell: M.Thru
Cell Library: Work_dd



Placed riprap, method A, class 1
See Section X for details

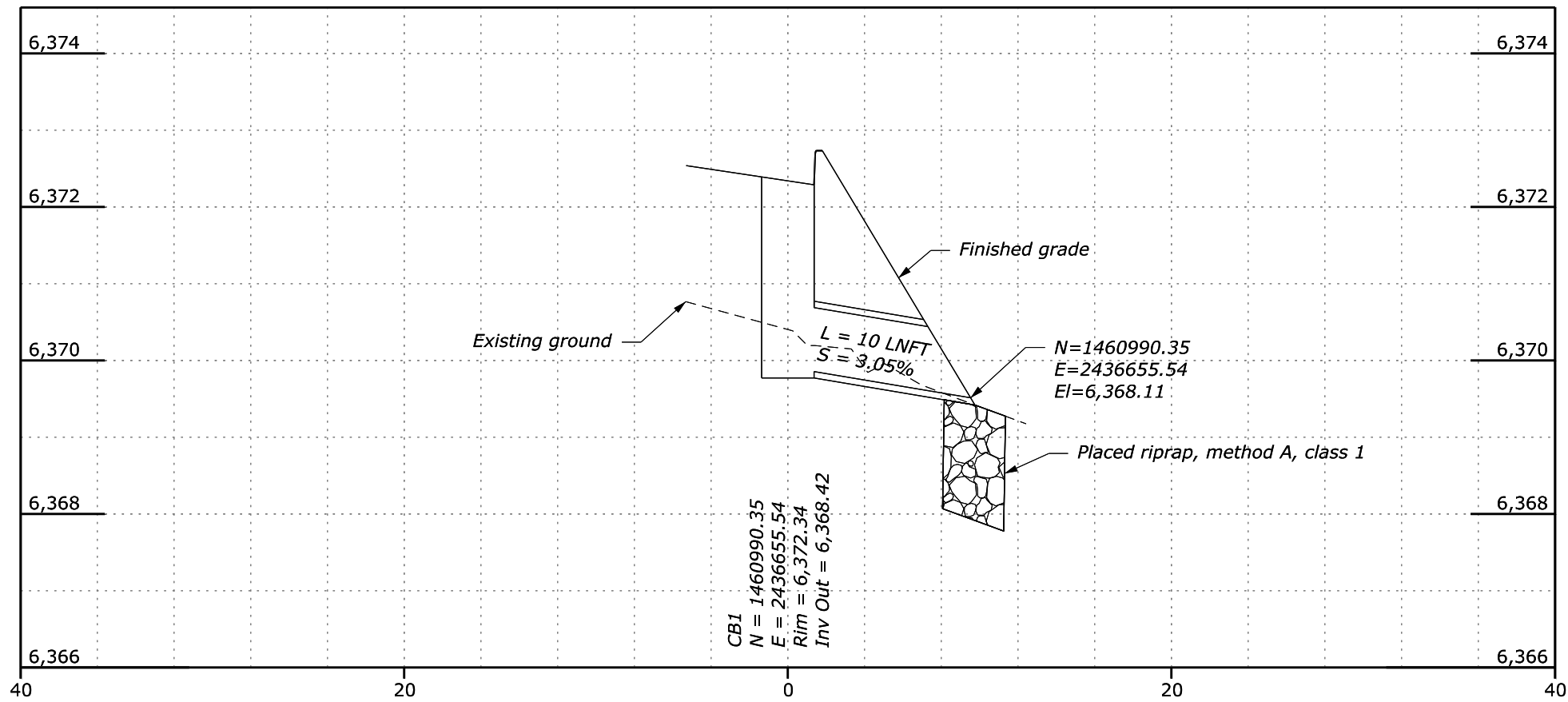
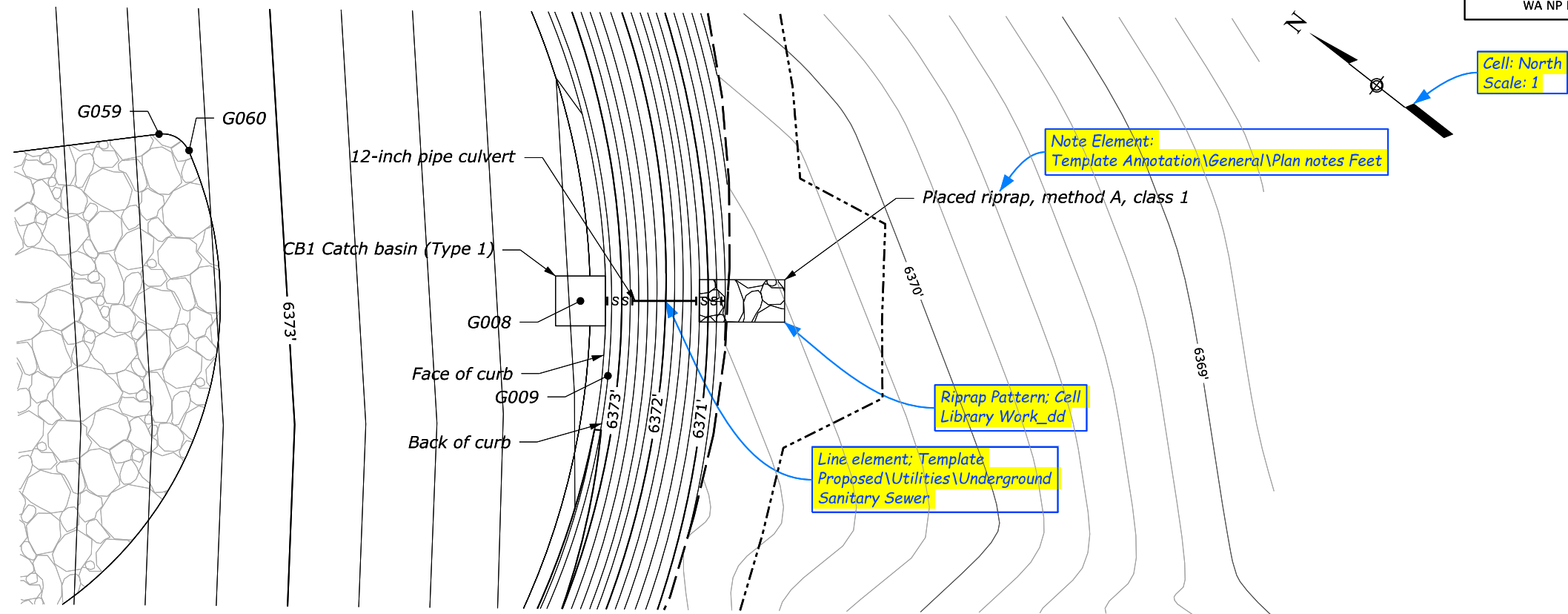
12-inch pipe culvert
See Section X for details

CB1 Catch basin (Type 1)
See Section X for details

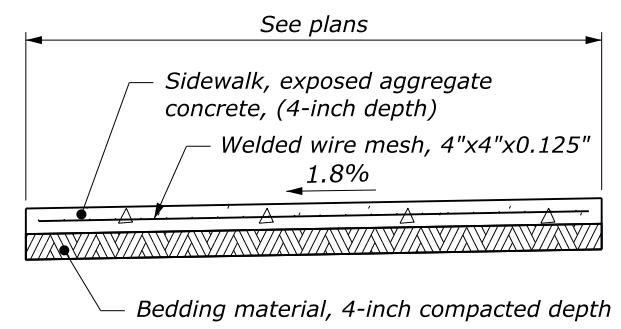
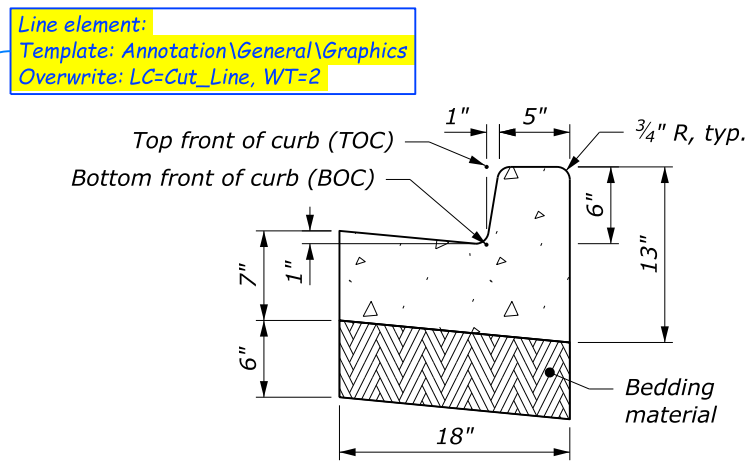
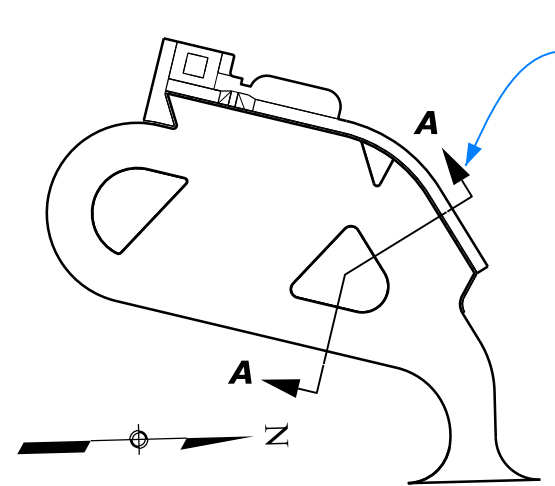
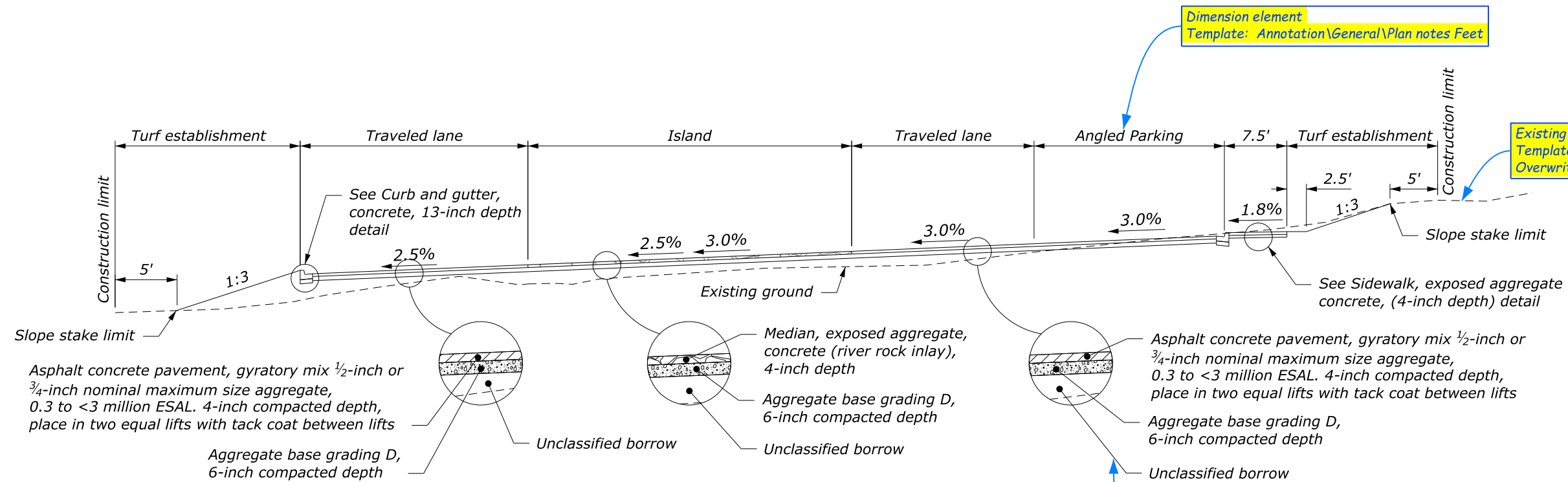


c:\pwwork\06630318\WA-NP-FOVA-101.dwg, Site.dgn, [SITE Plan], 30 April 2024 9:18 AM

**GRANITE CANYON TRAILHEAD
SITE PLAN**



**GRANITE CANYON TRAILHEAD
CB1 PLAN AND PROFILE**



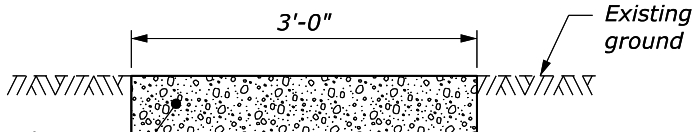
GRANITE CANYON TRAILHEAD SECTION



Cell: North
Scale: 1

Note Element:
Template Annotation\General\Plan notes Feet

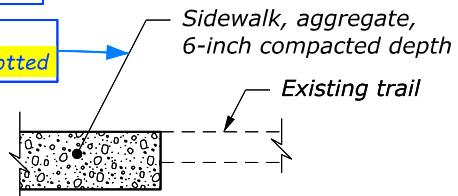
See Granite Canyon Trailhead
Layout Plan Sheet 2 of 2



SECTION A-A

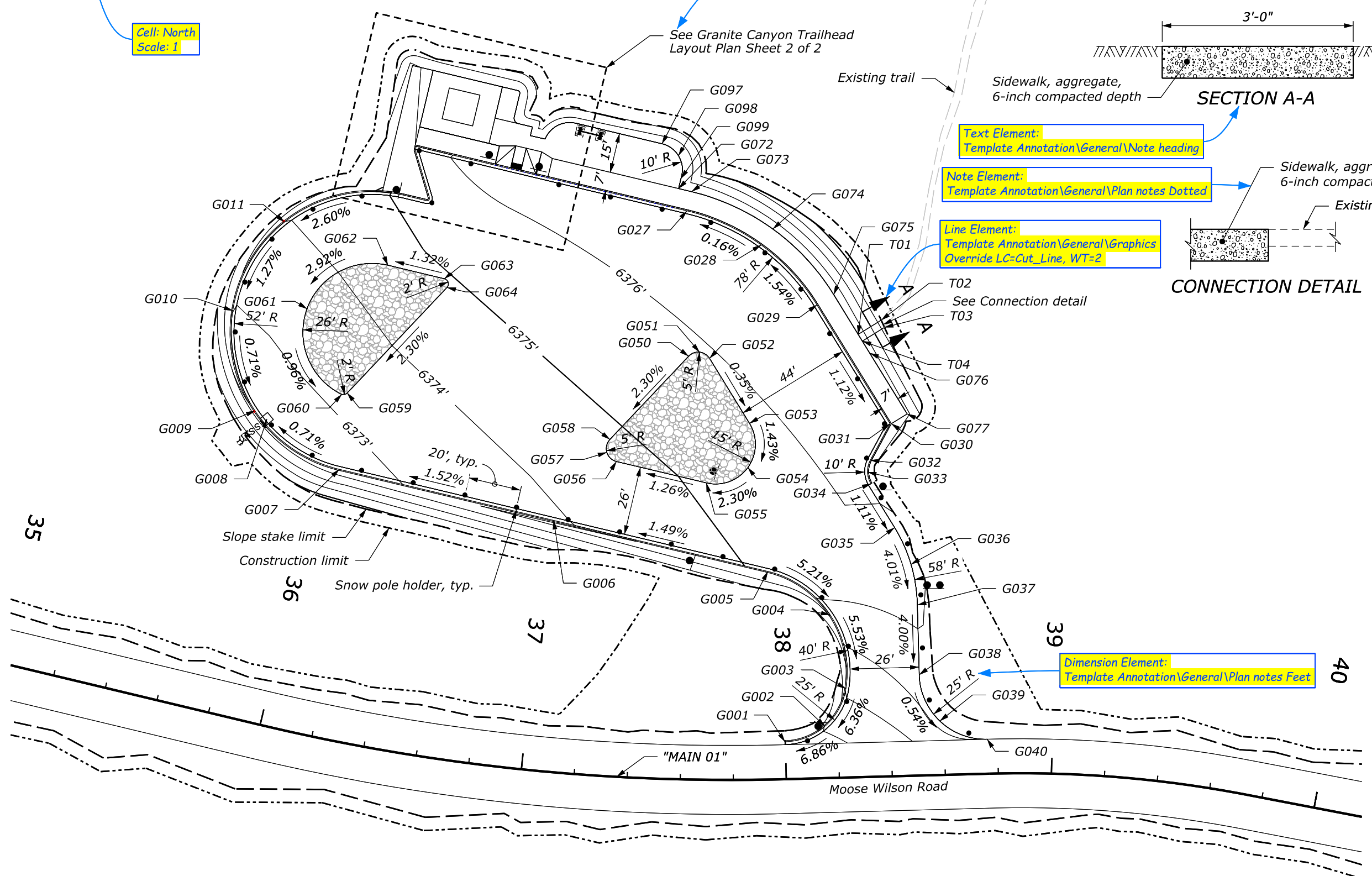
Text Element:
Template Annotation\General\Note heading

Note Element:
Template Annotation\General\Plan notes Dotted



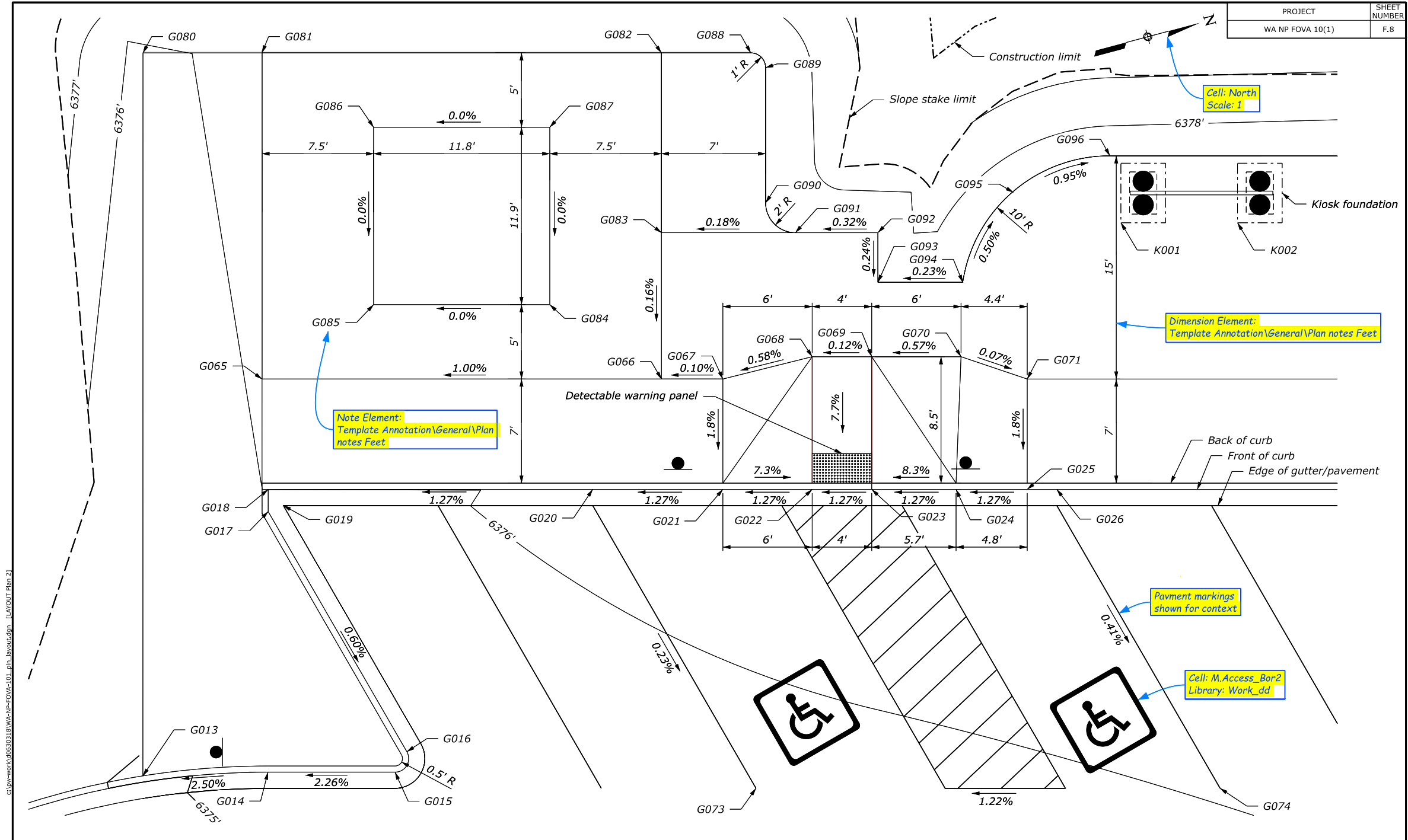
CONNECTION DETAIL

Line Element:
Template Annotation\General\Graphics
Override LC=Cut_Line, WT=2



Dimension Element:
Template Annotation\General\Plan notes Feet

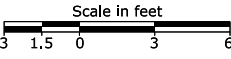
c:\pwworking\0663018\WA-NP-FOVA-101.dwg, layout.dgn, [LAYOUT:Plan.1], 30 April 2024 9:38 AM



c:\pwwork\0650318\WA-NP-FOVA-10\p_lay\layout.dgn [LAYOUT Plan.2]
 2 August 2024 9:36 AM

GRANITE CANYON TRAILHEAD LAYOUT PLAN

Sheet 2 of 2



GRANITE CANYON TRAILHEAD LAYOUT POINTS				
POINT NO.	NORTHING	EASTING	ELEVATION	DESCRIPTION
G001	1461190.398	2436775.752	6370.52 / 6370.02	TOC / BOC
G002	1461205.353	2436770.378	6371.61 / 6371.11	TOC / BOC
G003	1461213.469	2436756.716	6372.62 / 6372.12	TOC / BOC
G004	1461208.298	2436728.966	6374.18 / 6373.68	TOC / BOC
G005	1461185.588	2436712.202	6375.65 / 6375.15	TOC / BOC
G006	1461105.323	2436690.802	6374.41 / 6373.91	TOC / BOC
G007	1461025.057	2436669.402	6373.15 / 6372.65	TOC / BOC
G008	1460998.390	2436649.272	6372.34	CB1
G009	1460993.634	2436646.320	6372.38 / 6371.88	TOC / BOC
G010	1460986.220	2436608.041	6373.44 / 6372.94	TOC / BOC
G011	1461006.754	2436574.897	6373.94 / 6373.44	TOC / BOC
G012				Not Used
G013	1461044.329	2436564.490	6374.95 / 6374.45	TOC / BOC
G014	1461052.622	2436566.013	6375.16 / 6374.66	TOC / BOC
G015	1461060.870	2436568.212	6375.35 / 6374.85	TOC / BOC
G016	1461061.482	2436567.599	6375.65 / 6375.15	TOC / BOC
G017	1461056.608	2436549.501	6375.77 / 6375.27	TOC / BOC
G018	1461057.128	2436547.551	6375.77 / 6375.27	TOC / BOC
G019	1461058.126	2436549.369	6375.35	EOP
G020	1461087.044	2436555.527	6376.35 / 6375.85	TOC / BOC
G021	1461092.841	2436557.073	6375.95 / 6375.95	TOC / BOC
G022	1461096.706	2436558.103	6376.18 / 6376.18	TOC / BOC
G023	1461102.182	2436559.563	6376.52 / 6376.02	TOC / BOC
G024	1461106.800	2436560.794	6376.26 / 6375.76	TOC / BOC
G025	1461108.330	2436562.750	7376.17 / 7375.67	TOC / BOC
G026	1461078.210	2436554.720	6375.75 / 6375.25	TOC / BOC
G027	1461158.928	2436574.692	6376.91 / 6376.41	TOC / BOC
G028	1461186.759	2436588.372	6376.96 / 6376.46	TOC / BOC
G029	1461207.239	2436611.659	6377.44 / 6376.94	TOC / BOC
G031	1461231.974	2436657.352	6376.85	EOP
G032	1461225.788	2436671.111	6376.51 / 6376.01	TOC / BOC
G033	1461224.655	2436675.360	6376.43 / 6375.93	TOC / BOC
G034	1461225.799	2436679.609	6376.29 / 6375.79	TOC / BOC
G035	1461233.865	2436696.536	6375.58	EOP
G036	1461239.662	2436710.556	6374.97	EOP
G037	1461241.670	2436725.996	6374.35	EOP
G038	1461241.670	2436752.254	6373.30	EOP
G039	1461248.992	2436769.932	6373.20	EOP
G040	1461266.606	2436777.254	6373.10	EOP
G050	1461157.956	2436629.912	6375.81	EOP Median
G051	1461162.142	2436628.485	6375.89	EOP Median
G052	1461165.823	2436630.936	6375.89	EOP Median

GRANITE CANYON TRAILHEAD LAYOUT POINTS				
POINT NO.	NORTHING	EASTING	ELEVATION	DESCRIPTION
G053	1461180.262	2436655.800	6375.79	EOP Median
G054	1461179.164	2436672.444	6375.55	EOP Median
G055	1461163.387	2436677.834	6375.17	EOP Median
G056	1461129.714	2436668.863	6374.73	EOP Median
G057	1461126.174	2436665.313	6374.72	EOP Median
G058	1461127.462	2436660.482	6374.82	EOP Median
G059	1461028.954	2436640.292	6373.24	EOP Median
G060	1461026.577	2436640.684	6373.18	EOP Median
G061	1461014.651	2436608.174	6373.51	EOP Median
G062	1461045.538	2436592.585	6374.52	EOP Median
G063	1461066.683	2436598.223	6374.88	EOP Median
G064	1461067.583	2436601.567	6374.83	EOP Median
G065	1461058.931	2436540.787	6376.40	EOC
G066	1461084.859	2436547.700	6376.45	EOC
G067	1461088.847	2436548.763	6376.48	EOC
G068	1461095.031	2436548.859	6376.57	EOC
G069	1461098.892	2436549.906	6376.60	EOC
G070	1461104.693	2436551.436	6376.70	EOC
G071	1461108.597	2436554.026	6376.68	EOC
G072	1461155.900	2436566.641	6377.17	EOC
G073	1461083.910	2436575.910	6375.70	POP
G074	1461114.040	2436583.940	6376.08	POP
G080	1461056.852	2436517.550	6376.27	EOC
G081	1461064.577	2436519.610	6376.43	EOC
G082	1461090.505	2436526.523	6376.49	EOC
G083	1461087.392	2436538.198	6376.47	EOC
G084	1461078.900	2436540.936	6376.41	EOC
G085	1461067.466	2436537.888	6376.41	EOC
G086	1461070.536	2436526.373	6376.41	EOC
G087	1461081.970	2436529.422	6376.41	EOC
G088	1461096.303	2436528.069	6376.55	EOC
G089	1461097.011	2436529.292	6376.56	EOC
G090	1461094.671	2436538.069	6376.54	EOC
G091	1461096.088	2436540.517	6376.68	EOC
G092	1461101.445	2436541.945	6376.76	EOC
G093	1461100.587	2436545.166	6376.70	EOC
G094	1461106.091	2436546.634	6376.75	EOC
G095	1461110.931	2436541.669	6376.88	EOC
G096	1461117.834	2436540.967	6377.12	EOC
G097	1461150.102	2436549.571	6377.44	EOC
G098	1461156.171	2436554.228	6377.35	EOC
G099	1461156.897	2436562.901	6377.24	EOC

Heading text;
Font = Verdana, Italic, Bold, Size = 10

Subheading text;
Font = Verdana, Italic, Size = 8 (All caps)

thin black line around subheadings and rows

GRANITE CANYON TRAILHEAD LAYOUT POINTS				
POINT NO.	NORTHING	EASTING	ELEVATION	DESCRIPTION
T01	1461222.110	2436623.366	6377.52	Trail tie-in
T02	1461230.912	2436618.267	6380.54	Trail tie-in (match existing)
T03	1461232.087	2436621.053	6380.53	Trail tie-in (match existing)
T04	1461223.613	2436625.962	6377.54	Trail tie-in
K001	1461117.388	2436545.506	6376.60	Kiosk foundation corner
K002	1461124.959	2436547.524	6376.60	Kiosk foundation corner

Body text;
Font = Verdana, Italic
Size = 8

Table linked, or pasted, into
Sheet model at scale = 1

Excel settings for tables;
Row Height = 15

Bold outline

Thin grey lines dividing listed items

c:\pwworking\0630318\WA-NP-FOVA-101_pfl_layout.dgn [POINT Table] 30 April 2024 9:45 AM

LEGEND:

Template:
Annotation\General\Note heading

- CB# = Catch Basin
- EOP = Edge of pavement
- EOC = Edge of concrete
- POP = Point on pavement
- TOC = Top front of curb
- BOC = Bottom front of curb

**GRANITE CANYON TRAILHEAD
LAYOUT POINT TABLES**



Cell: North
Scale: 1

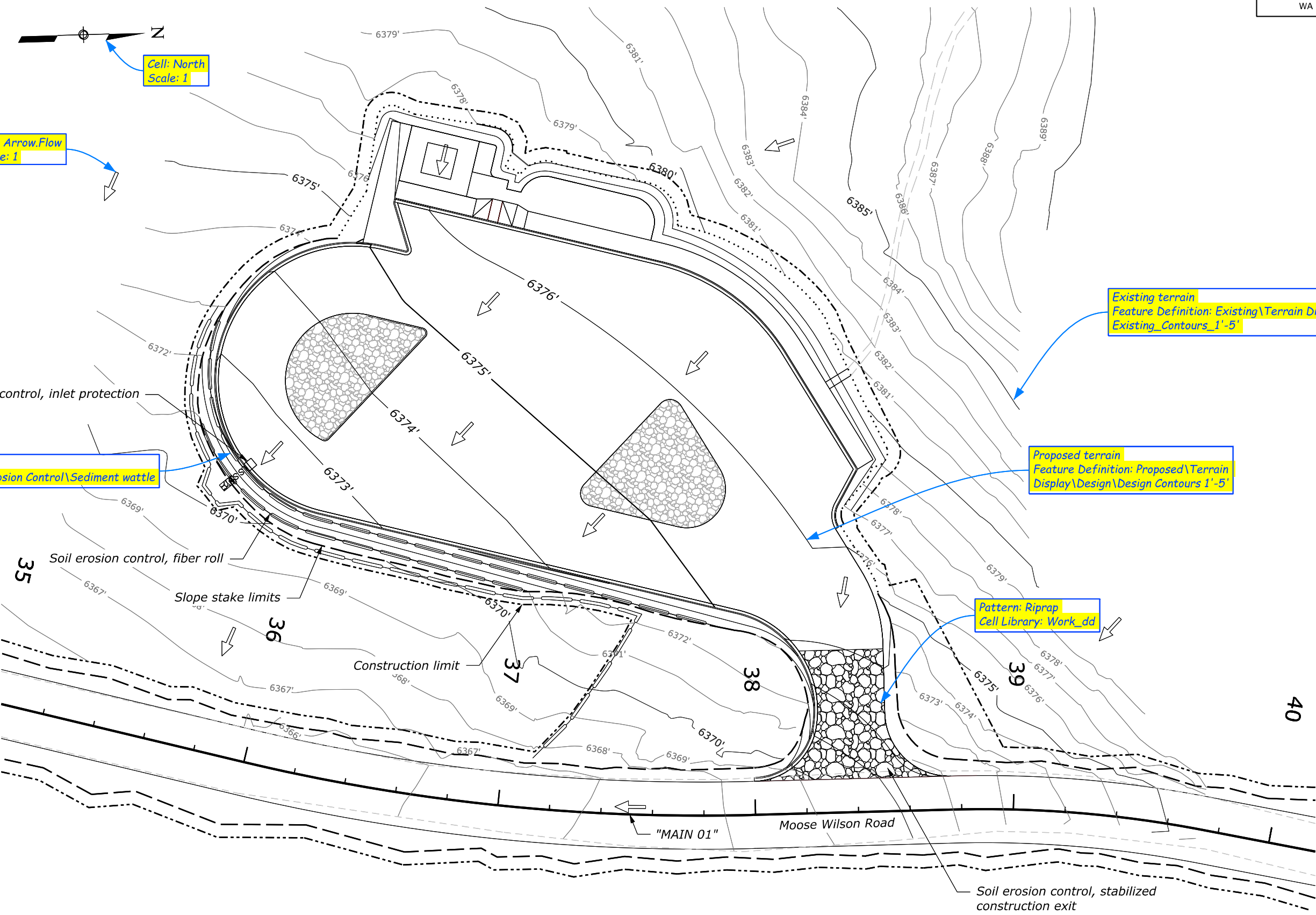
Cell: Arrow.Flow
Scale: 1

Existing terrain
Feature Definition: Existing\Terrain Display\
Existing_Contours_1'-5'

Proposed terrain
Feature Definition: Proposed\Terrain
Display\Design\Design Contours 1'-5'

Line Element:
Template Proposed\Erosion Control\Sediment wattle

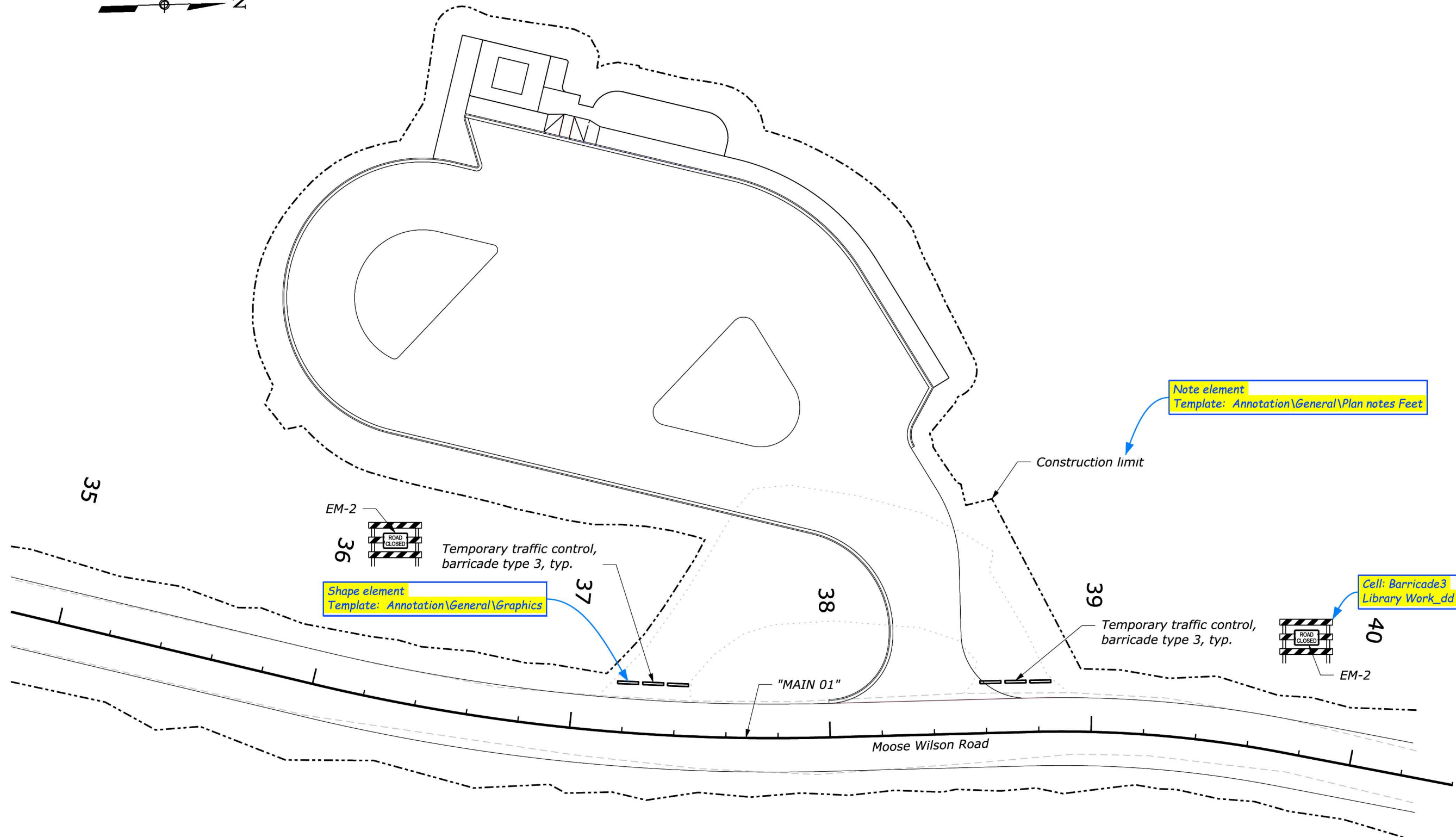
Pattern: Riprap
Cell Library: Work_dd



LEGEND

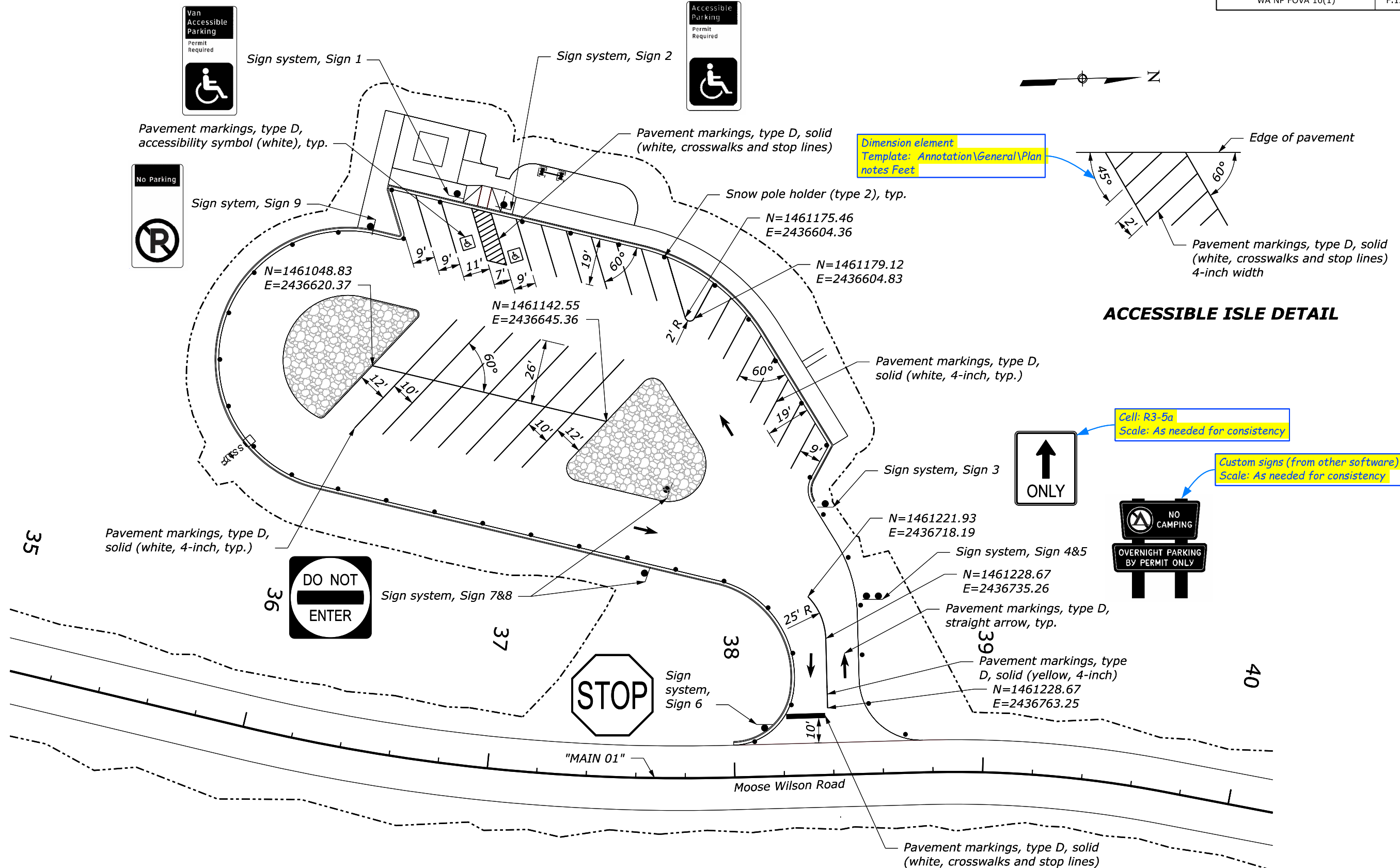
← Flow direction arrow

**GRANITE CANYON TRAILHEAD
EROSION CONTROL**

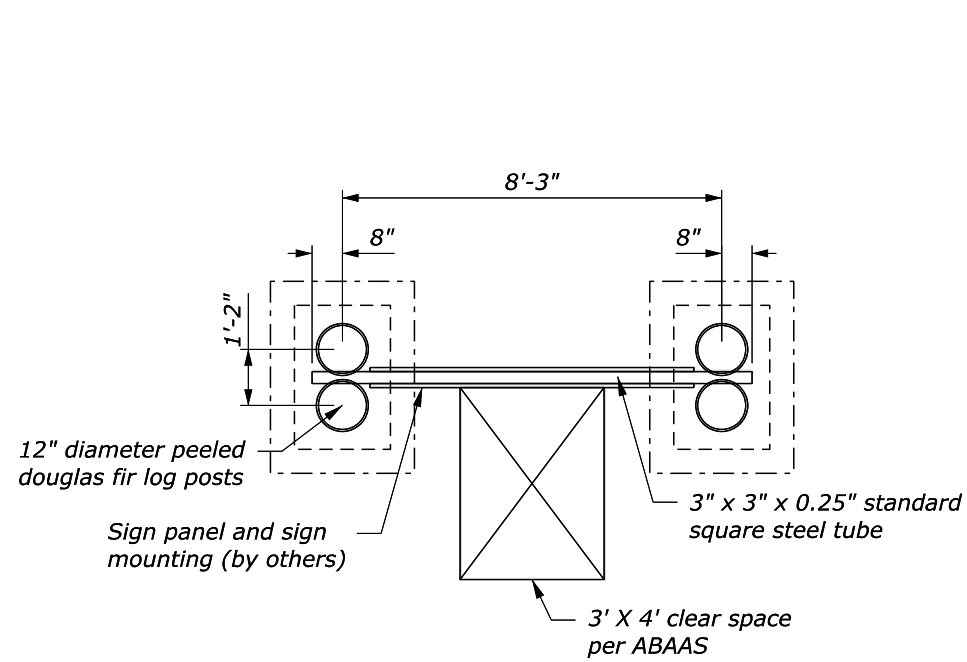


c:\pwwork\063031\WA NP FOVA 101_p11a_TTC.dwg [TEMPORARY TC Plan] 31 July 2024 8:47 AM

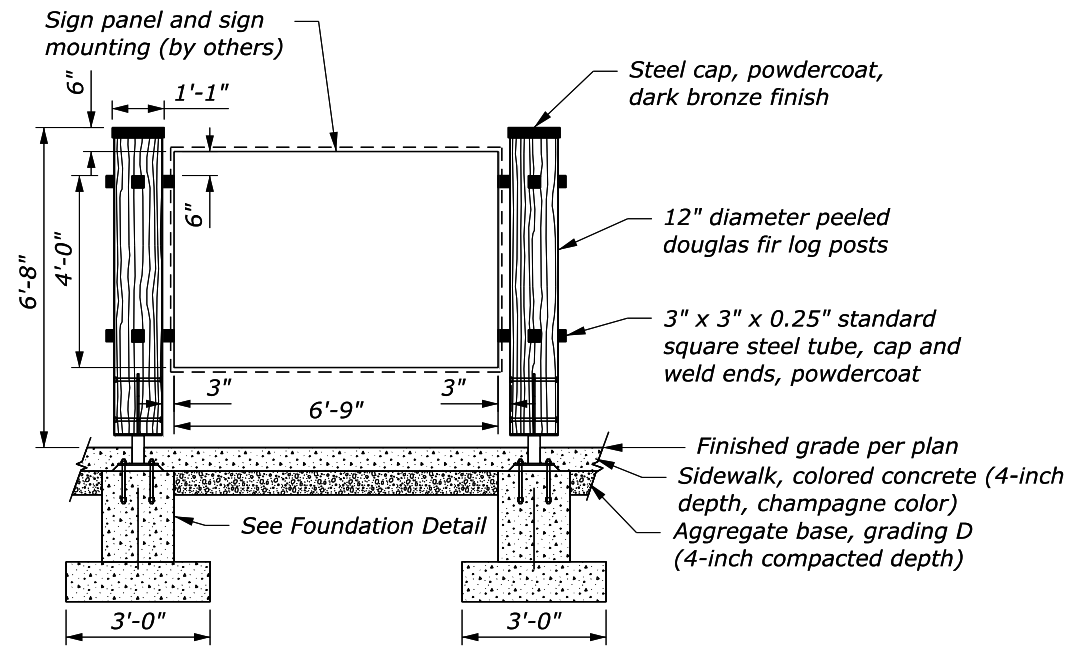
**GRANITE CANYON TRAILHEAD
TEMPORARY TRAFFIC CONTROL**



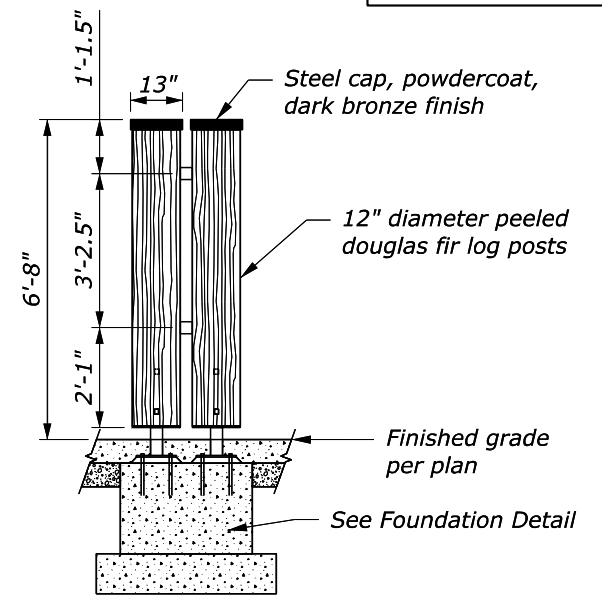
**GRANITE CANYON TRAILHEAD
PERMANENT TRAFFIC CONTROL**



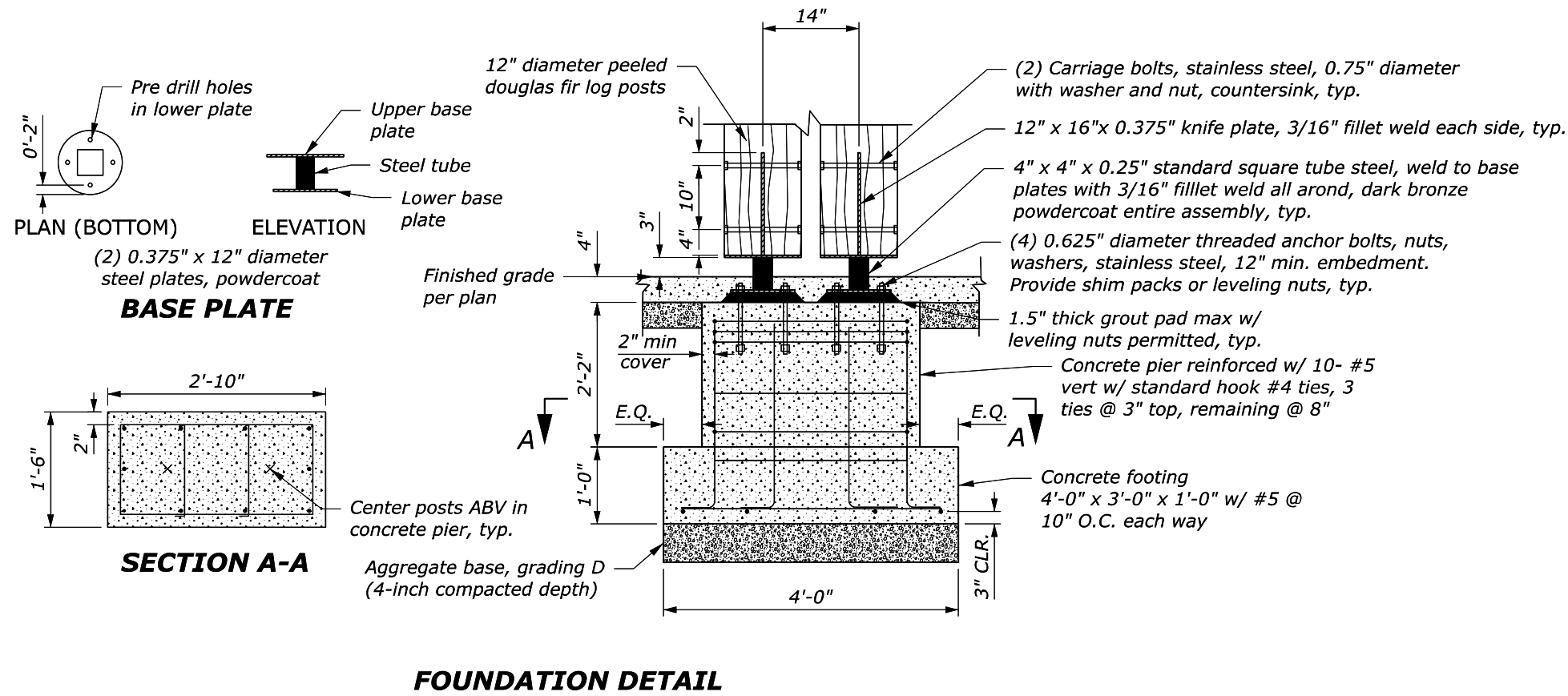
PLAN VIEW



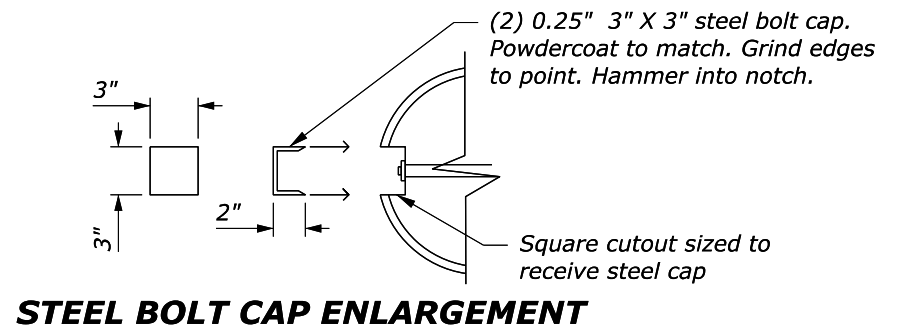
FRONT VIEW



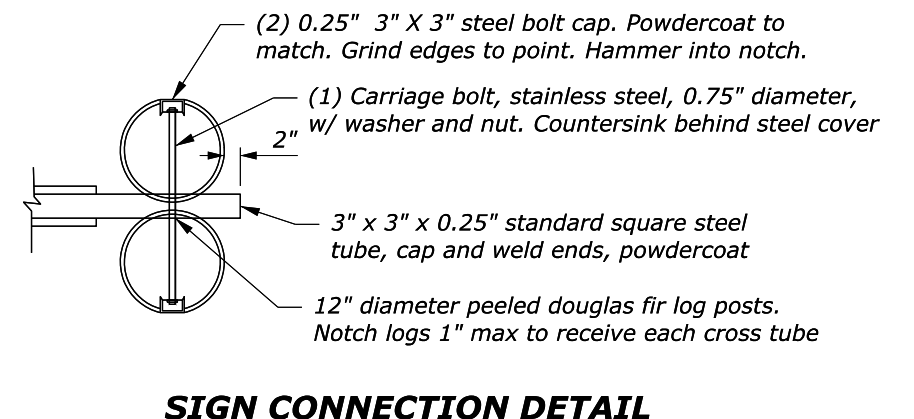
ELEVATION VIEW



FOUNDATION DETAIL



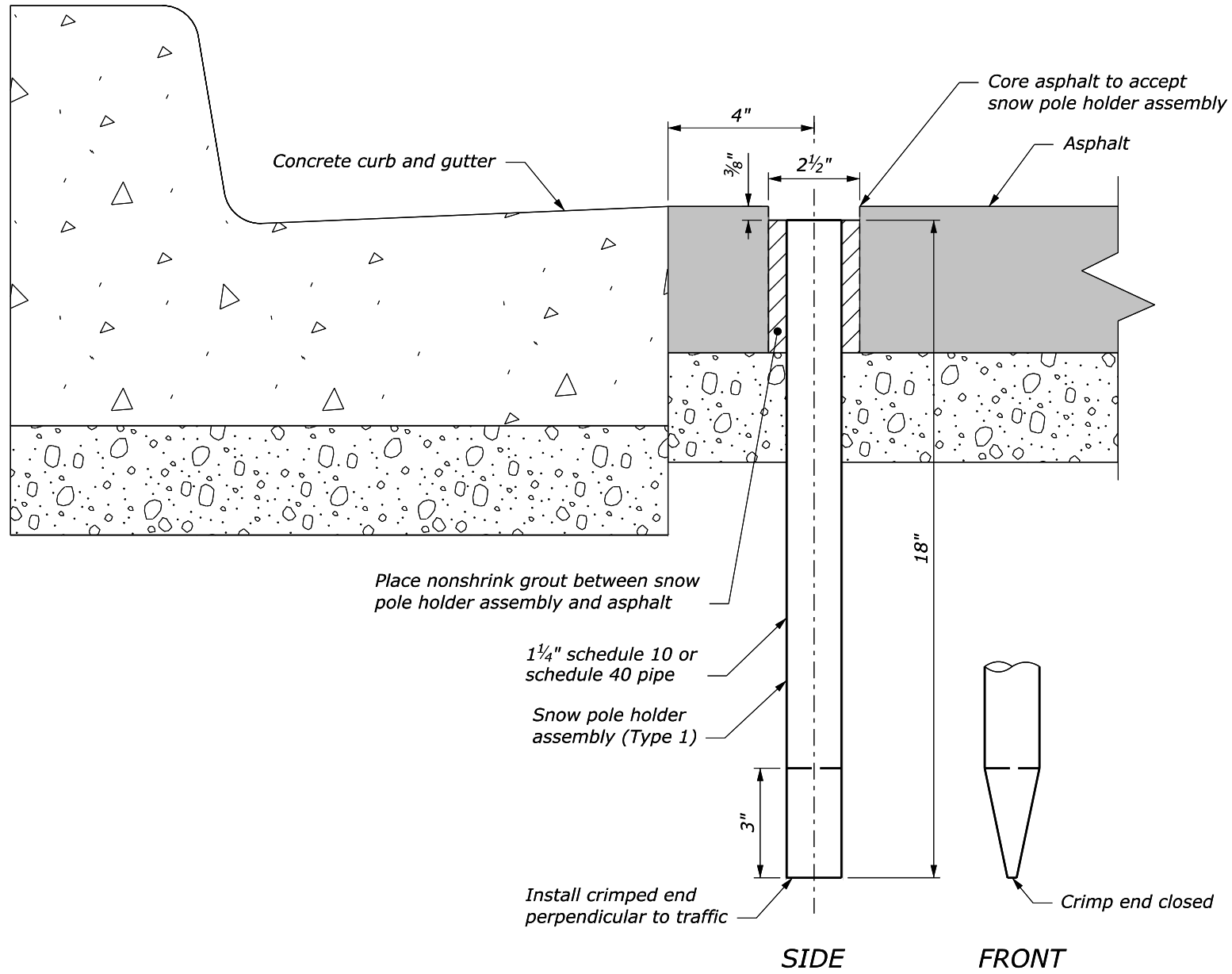
STEEL BOLT CAP ENLARGEMENT



SIGN CONNECTION DETAIL

FIXTURE, KIOSK DETAILS

NO SCALE

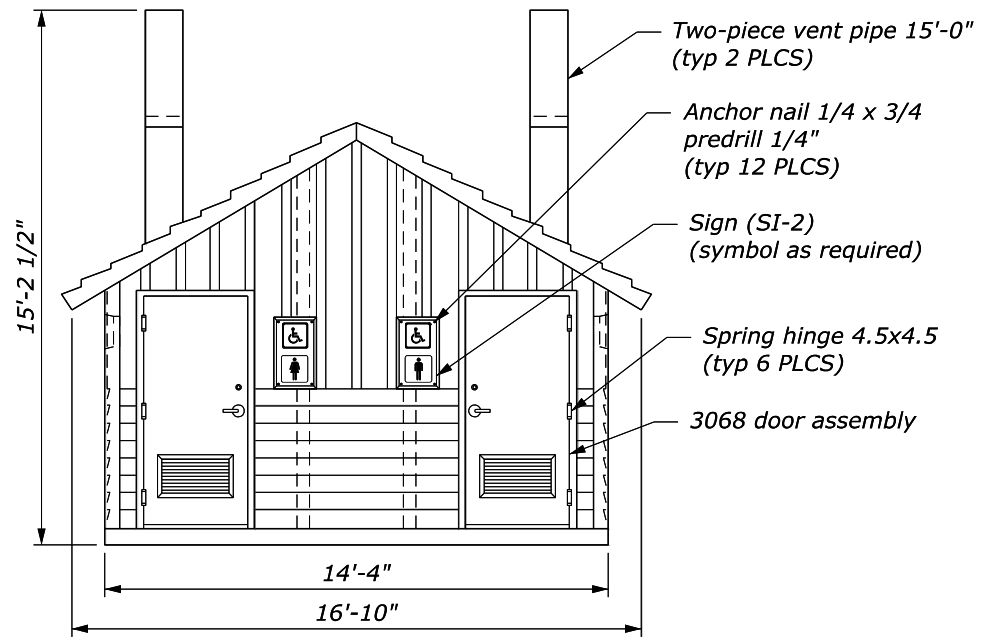


SNOW POLE HOLDER, TYPE 1

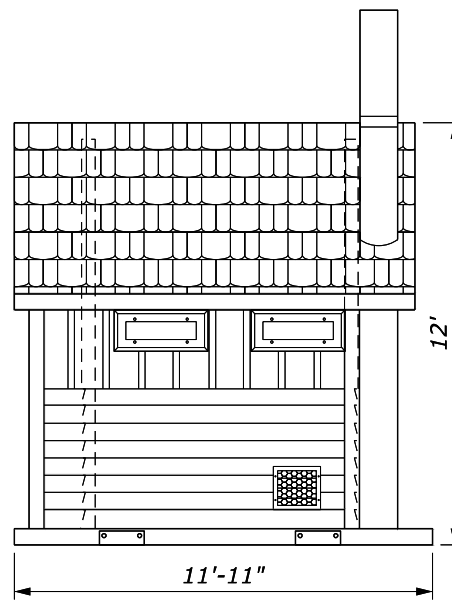
c:\pwwork\0630318\WA-NP-FOVA-101_plr_details.dgn [SNOW POLE HOLDER DETAILS] 29 April 2024 3:52 PM

NO SCALE

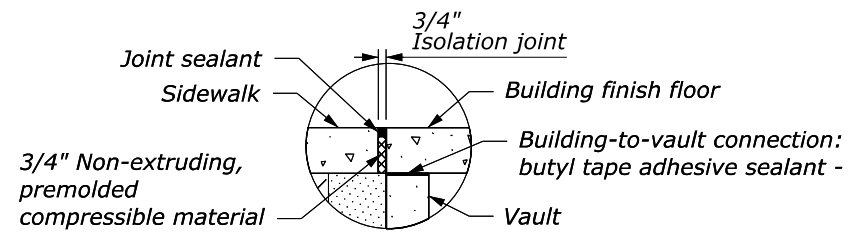
SNOW POLE HOLDER DETAIL



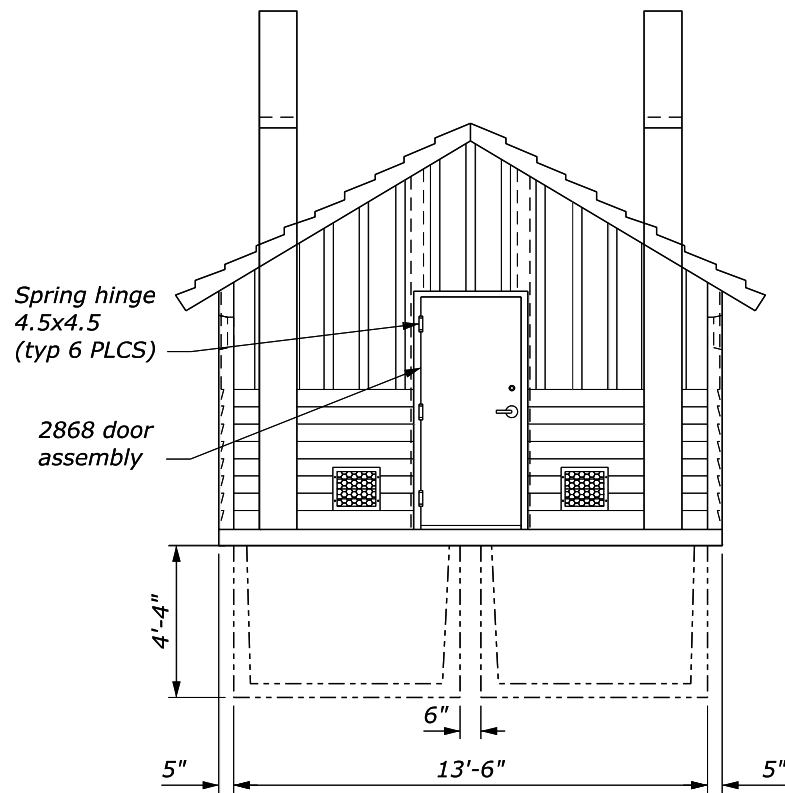
FRONT ELEVATION



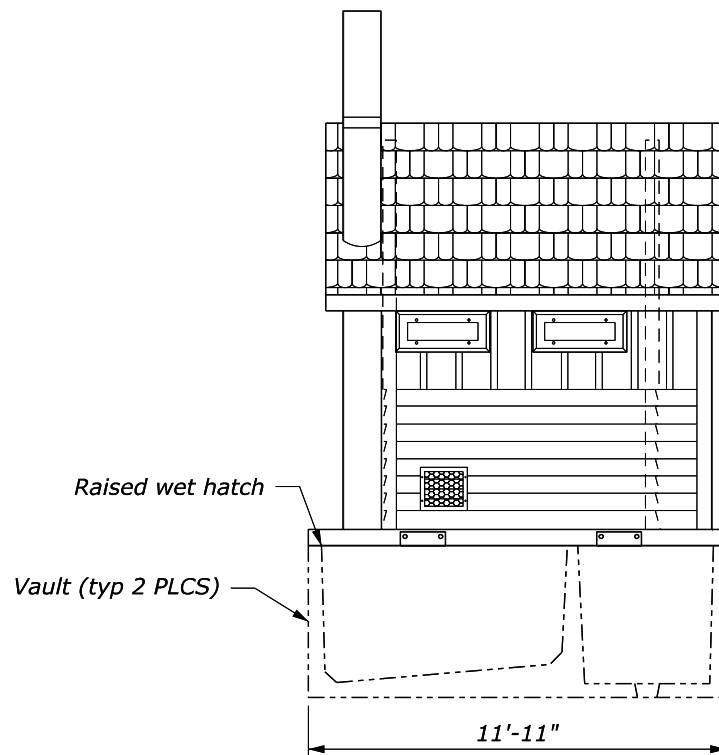
RIGHT ELEVATION



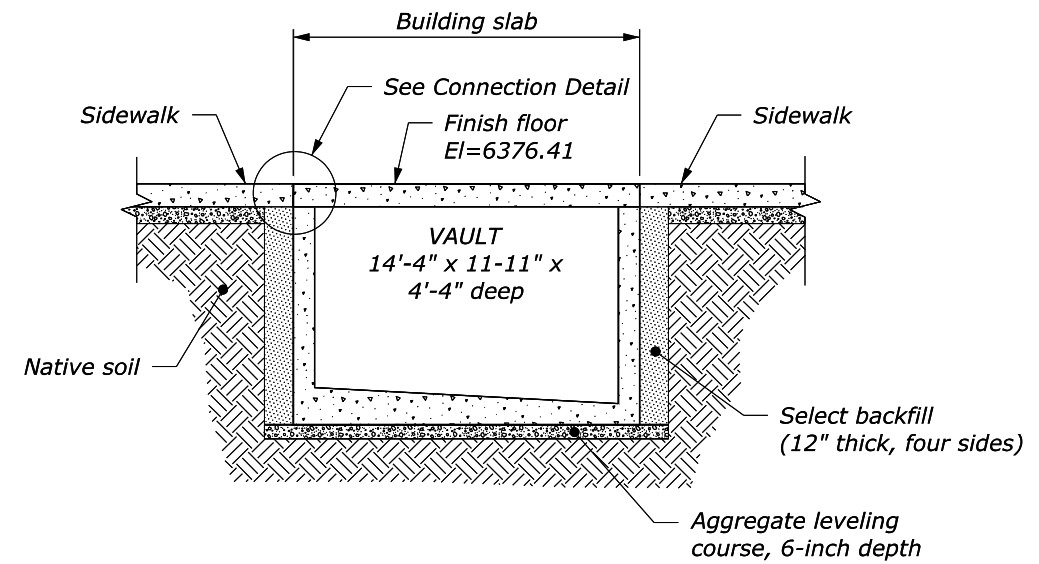
CONNECTION DETAIL



BACK ELEVATION



LEFT ELEVATION

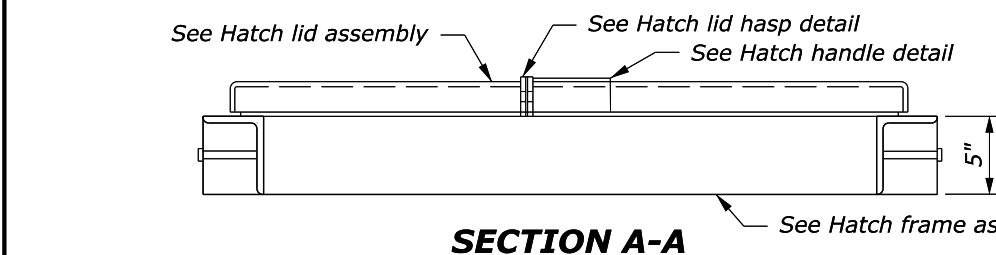
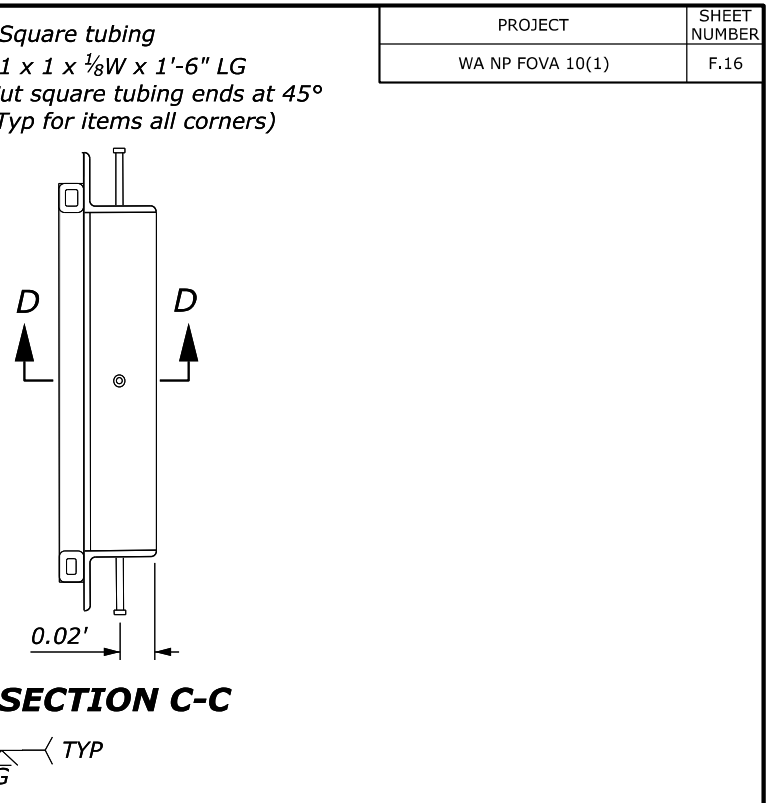
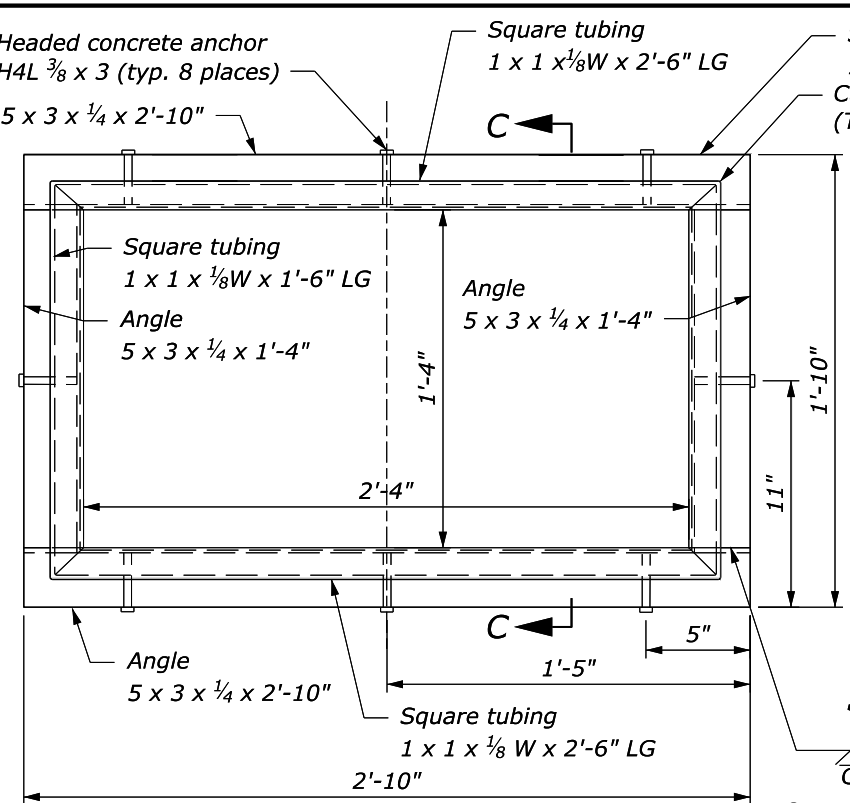
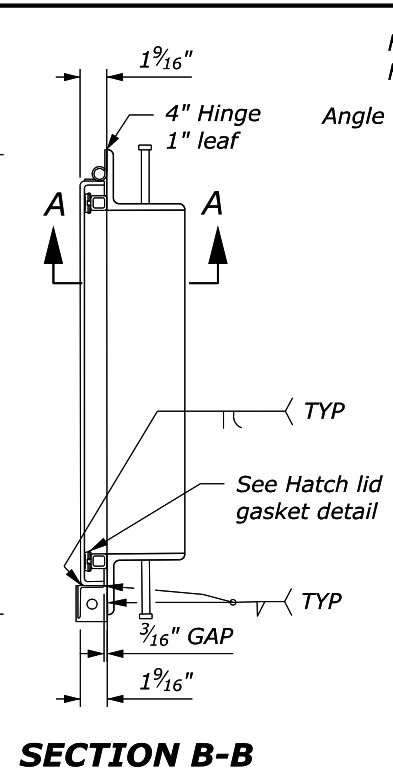
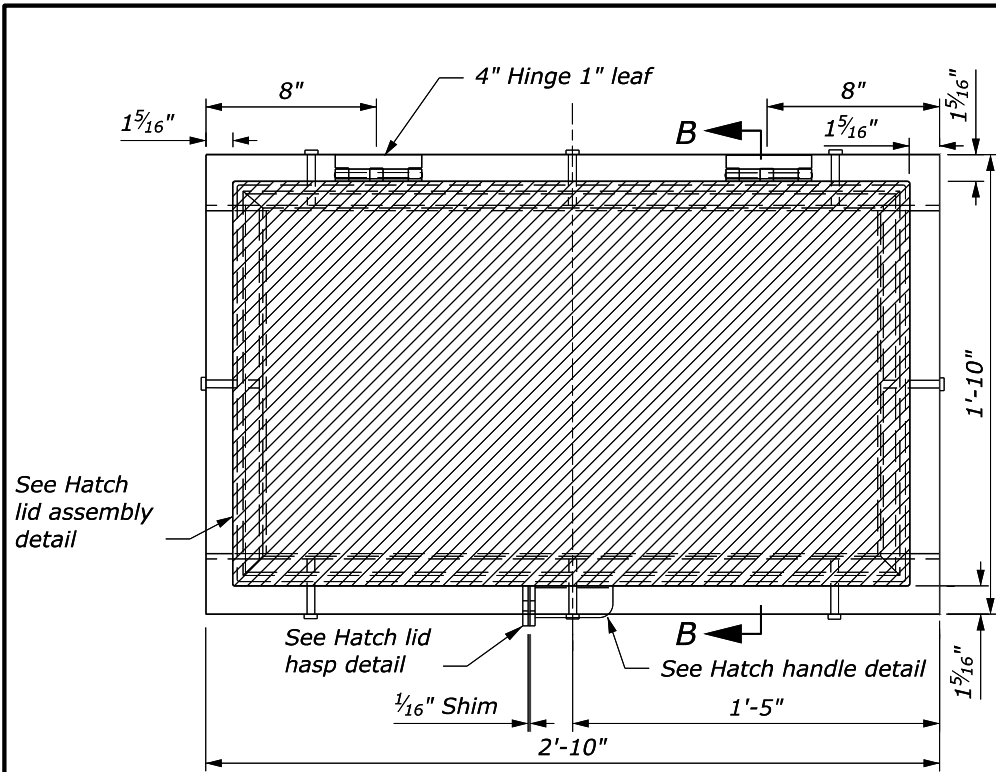


VAULT DETAIL

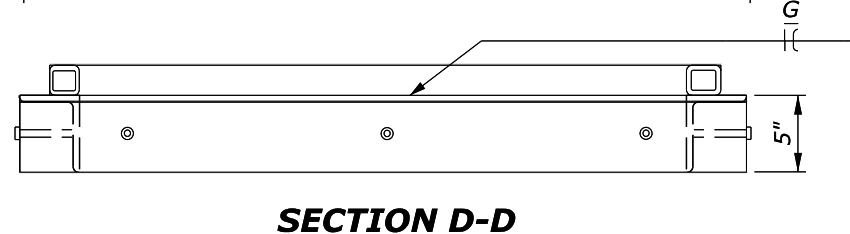
c:\pwwork\0630318\WA-NP-FOVA-101.dwg [GCH Vault Toilet] 29 April 2024 3:52 PM

NO SCALE

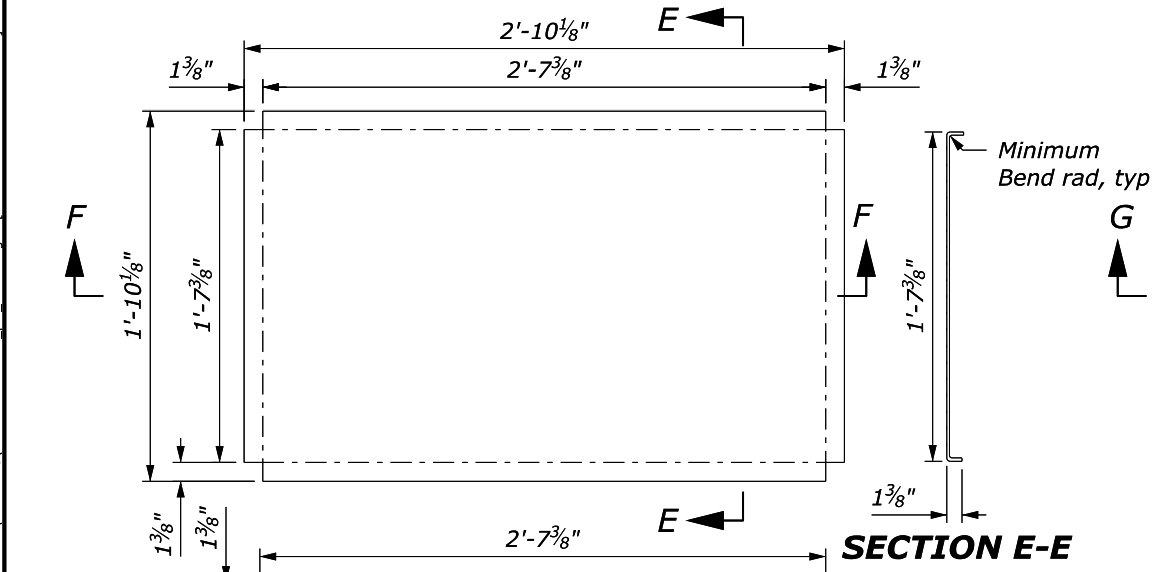
**FIXTURE, VAULT TOILET
(CXT DOUBLE CASCADIAN WITH
CHASE) DETAIL**



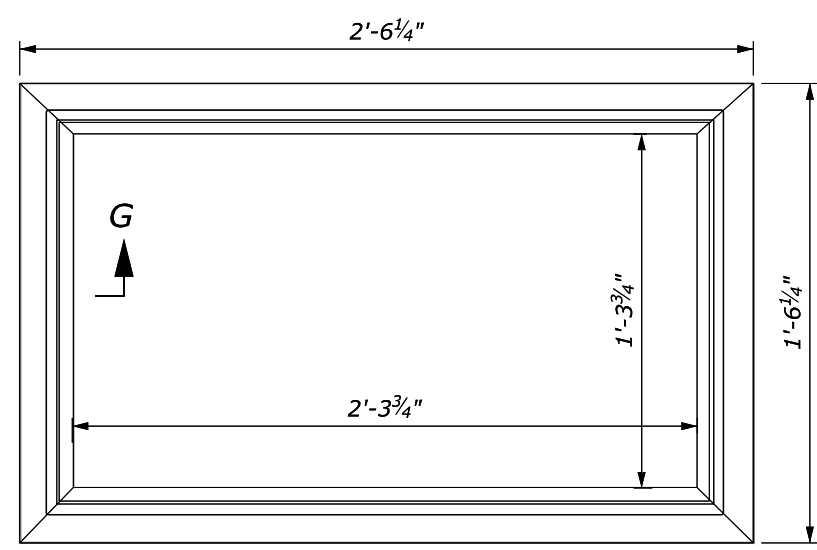
SECTION A-A
SHOEBOX HATCH ASSEMBLY



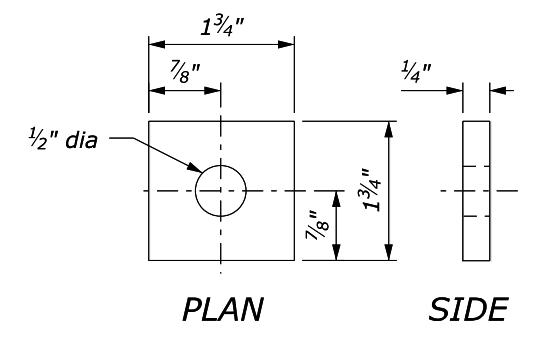
SECTION D-D
HATCH FRAME ASSEMBLY



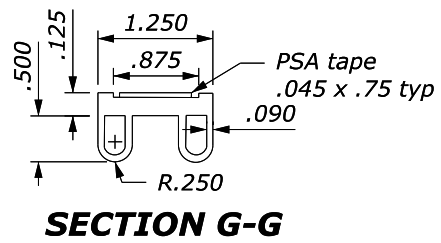
SECTION E-E
HATCH LID ASSEMBLY
1/4" diamond floor PL
1'-10 1/8" x 2'-10 1/8"



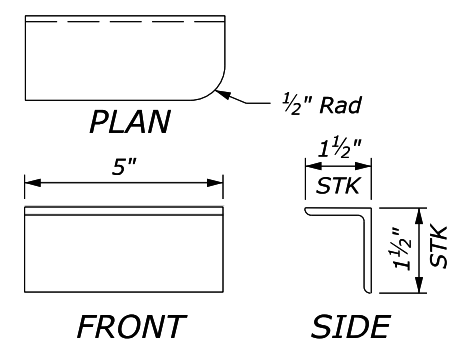
SECTION G-G
HATCH LID GASKET



PLAN
SIDE
HATCH LID HASP



SECTION G-G



PLAN
FRONT
SIDE
HATCH HANDLE

c:\pwwork\0630318\WA-NP-FOVA-101.dwg, details.dgn, [GCTH Shoobox Hatch Detail] 29 April 2024 4:01 PM

NO SCALE