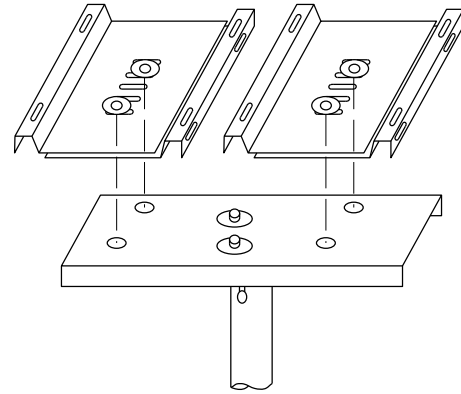


NOTE:

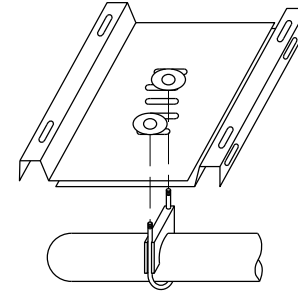
1. Opposite orientation with wedge on traffic approach side of post is allowable but not preferred.
2. Support frame and foundation are proprietary products commercially available.



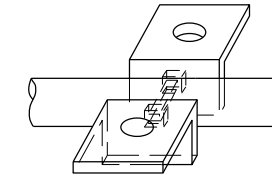
SINGLE MAILBOX MOUNT



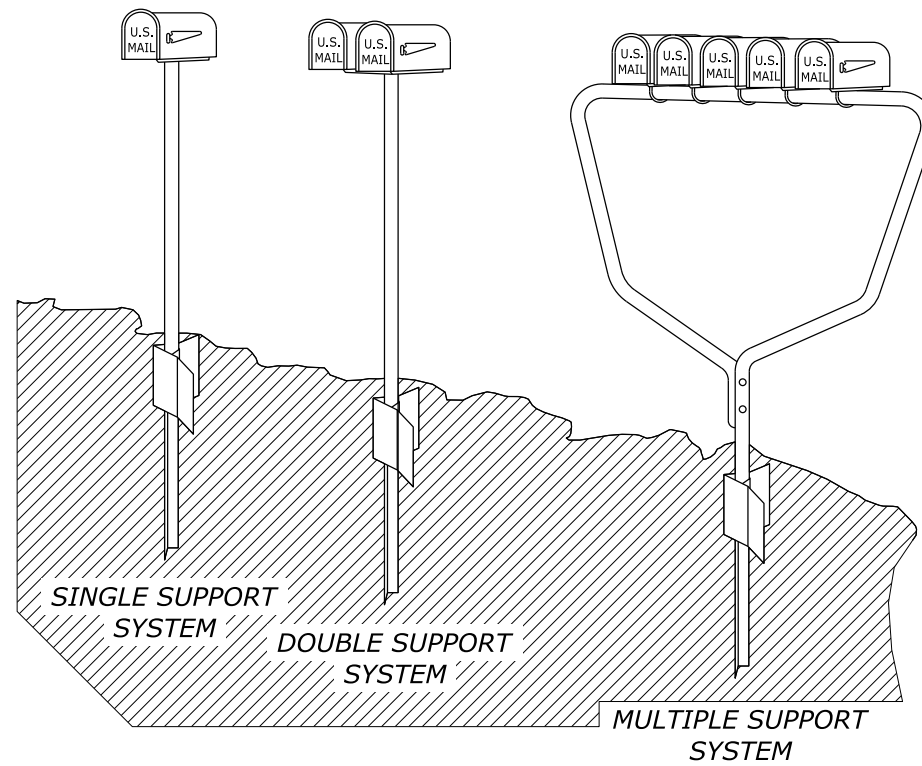
DOUBLE MAILBOX MOUNT



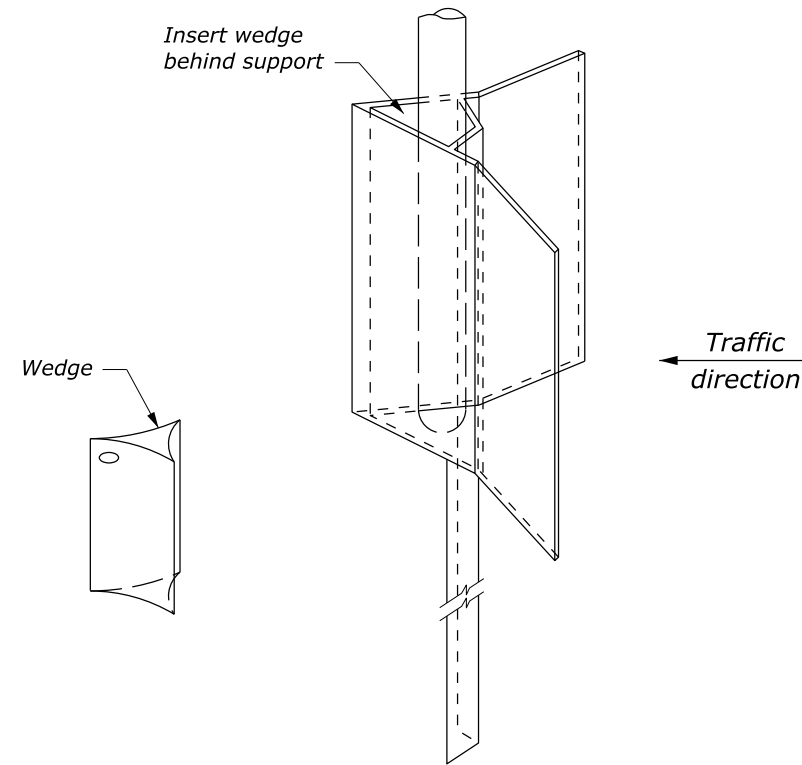
MULTIPLE MAILBOX MOUNT



BRACKET MOUNT ALTERNATIVE



MAILBOX SUPPORT SYSTEM



SUPPORT FRAME

NO SCALE

U.S. DEPARTMENT OF TRANSPORTATION, FHWA
OFFICE OF FEDERAL LANDS HIGHWAY

**MAILBOX ASSEMBLY
SERIES C**

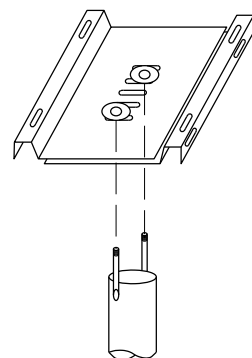
WFLHD DETAIL
W646-4

SPECIFICATION
FP-24, FP-14

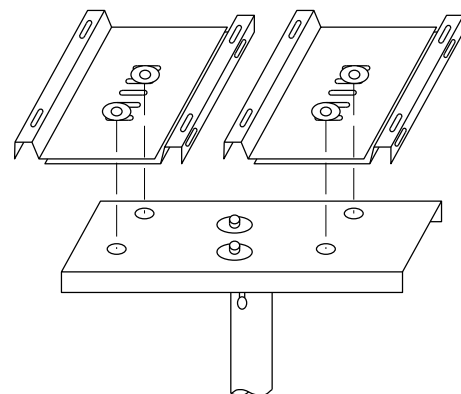
APPROVED FOR USE
11/2014

NOTE:

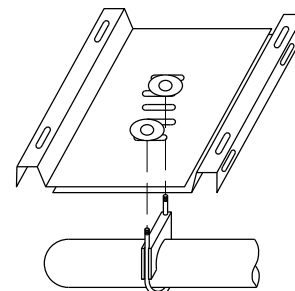
1. Opposite orientation with wedge on traffic approach side of post is allowable but not preferred.
2. Support frame and foundation are proprietary products commercially available.



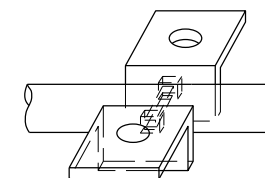
SINGLE MAILBOX MOUNT



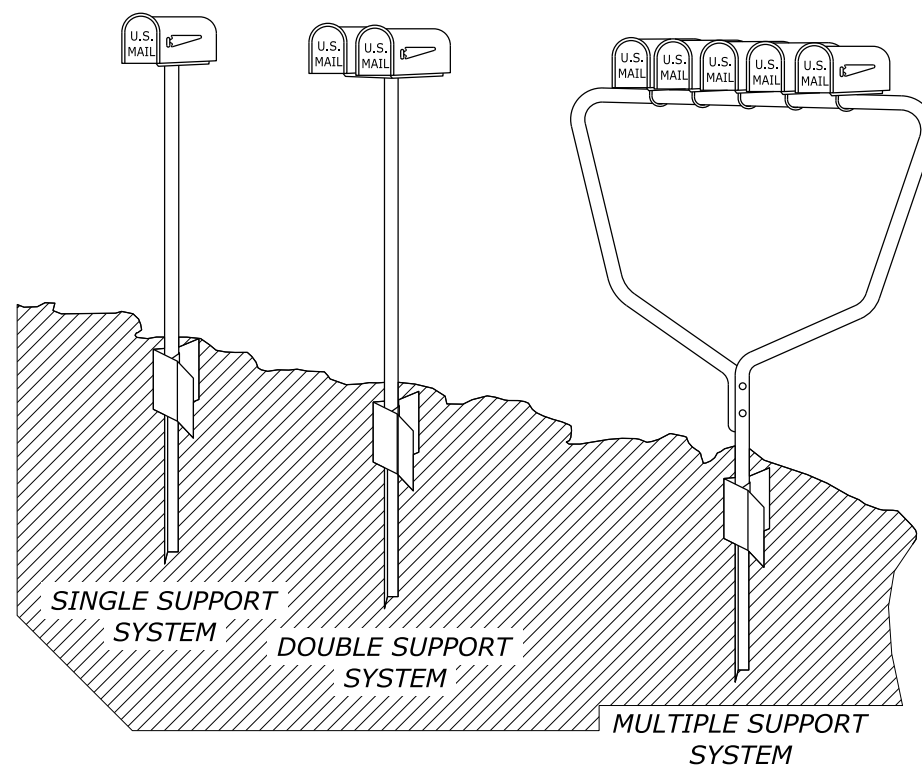
DOUBLE MAILBOX MOUNT



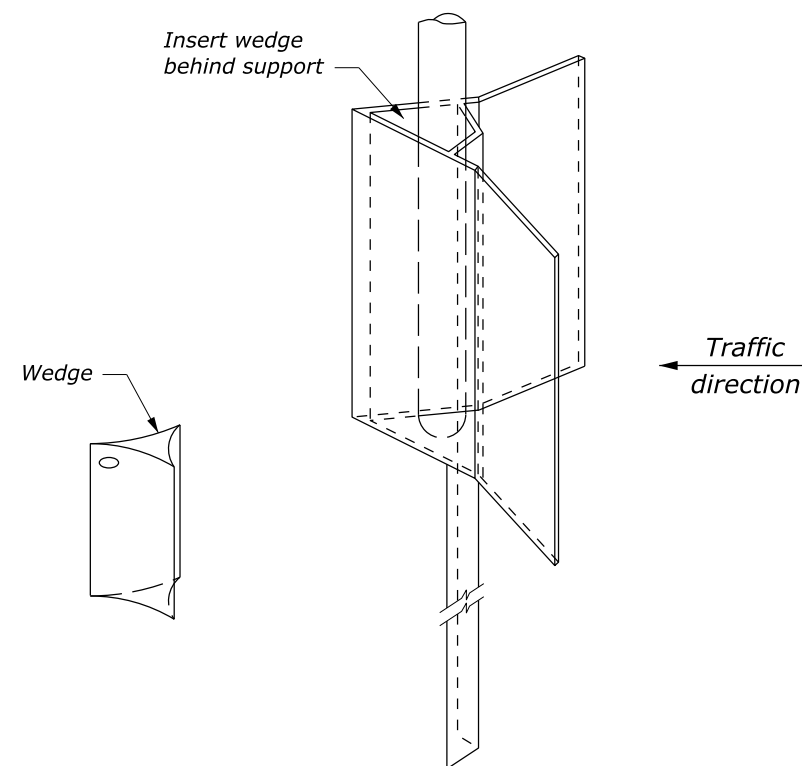
MULTIPLE MAILBOX MOUNT



BRACKET MOUNT ALTERNATIVE



MAILBOX SUPPORT SYSTEM



SUPPORT FRAME

This drawing contains **Metric** units of measure. Dimensions without units are millimeters.

NO SCALE

U.S. DEPARTMENT OF TRANSPORTATION, FHWA OFFICE OF FEDERAL LANDS HIGHWAY	WFLHD DETAIL WM646-4
MAILBOX ASSEMBLY SERIES C	SPECIFICATION FP-24, FP-14
	APPROVED FOR USE 11/2014