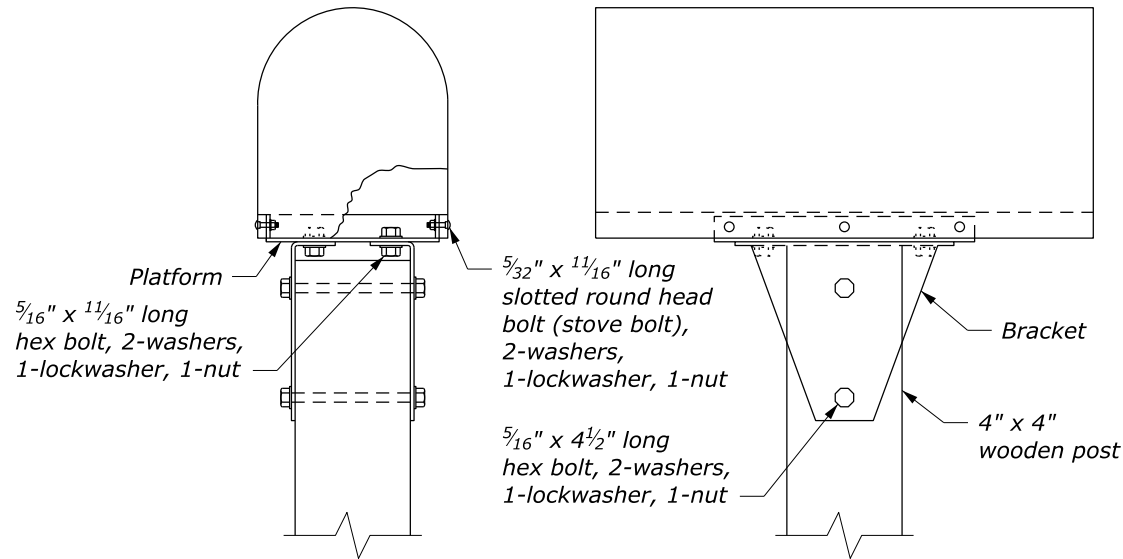
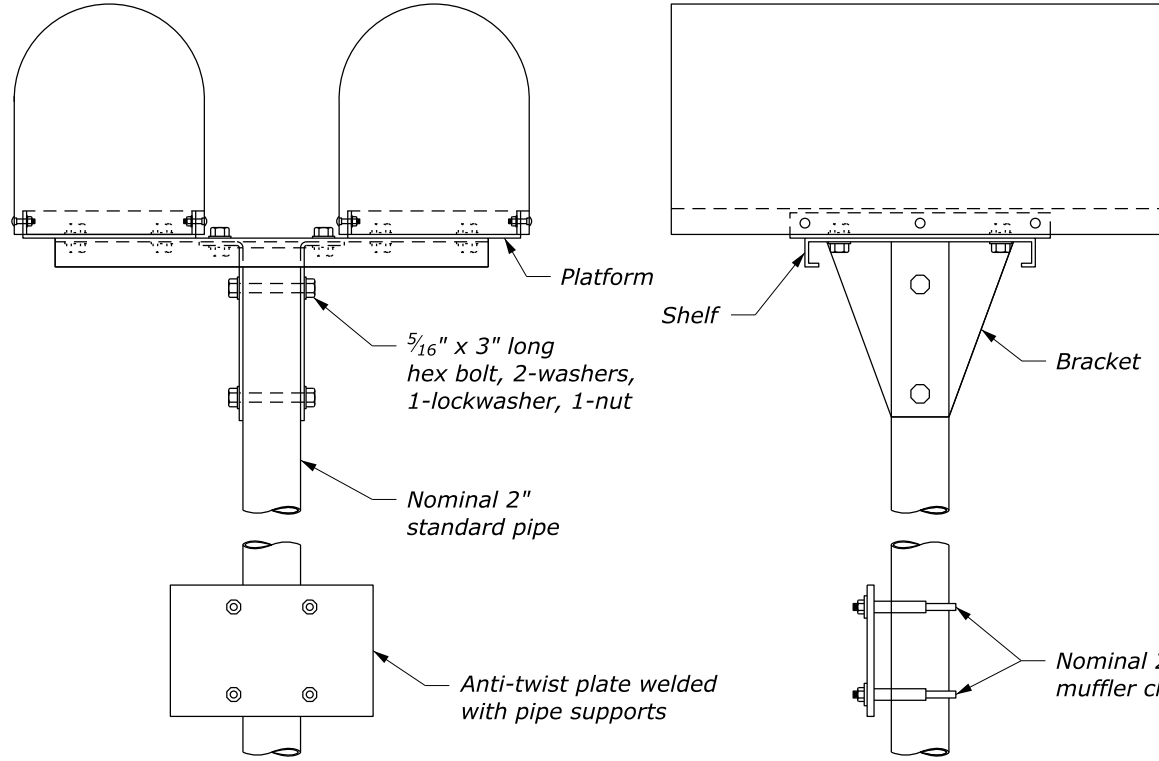


NOTE:

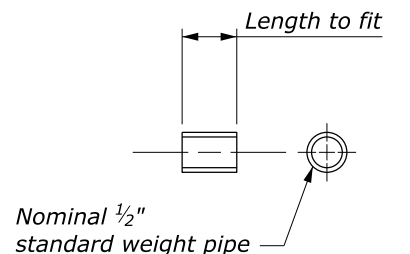
1. Spacing between multiple mailboxes and height of mailbox above ground level are as established by the the U.S. Postal Service. H is usually 3'-4" to 4'-0"



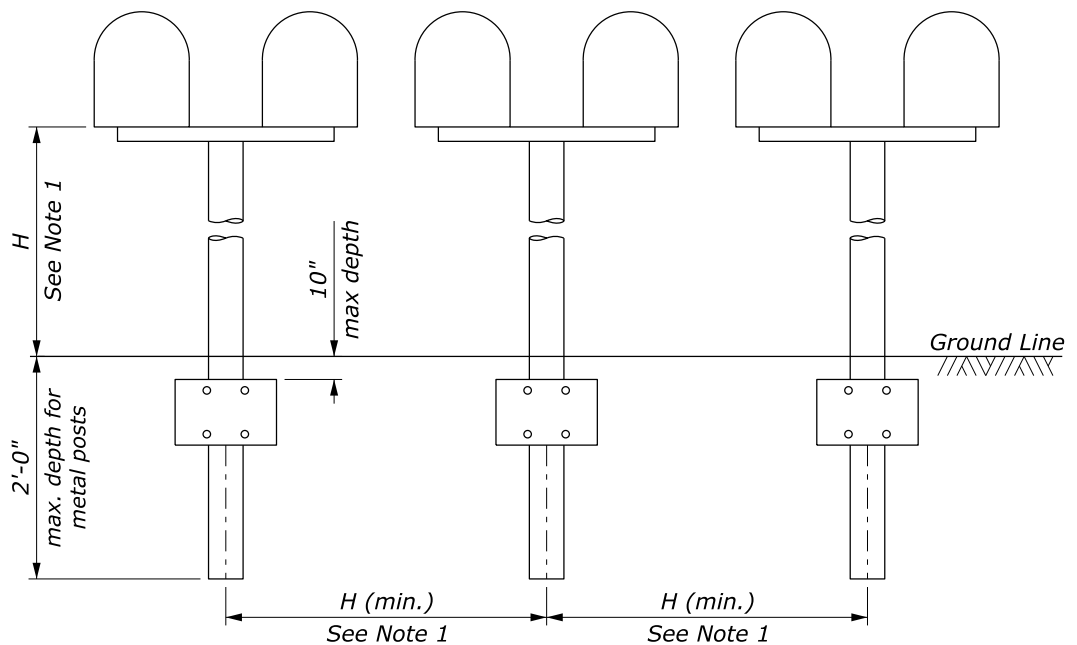
SINGLE MAILBOX INSTALLATION



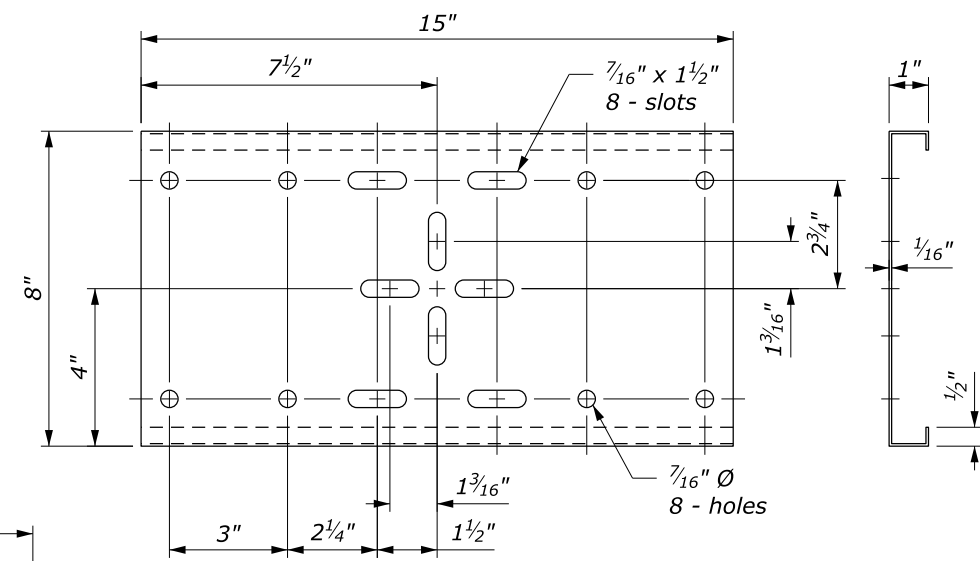
DOUBLE MAILBOX INSTALLATION



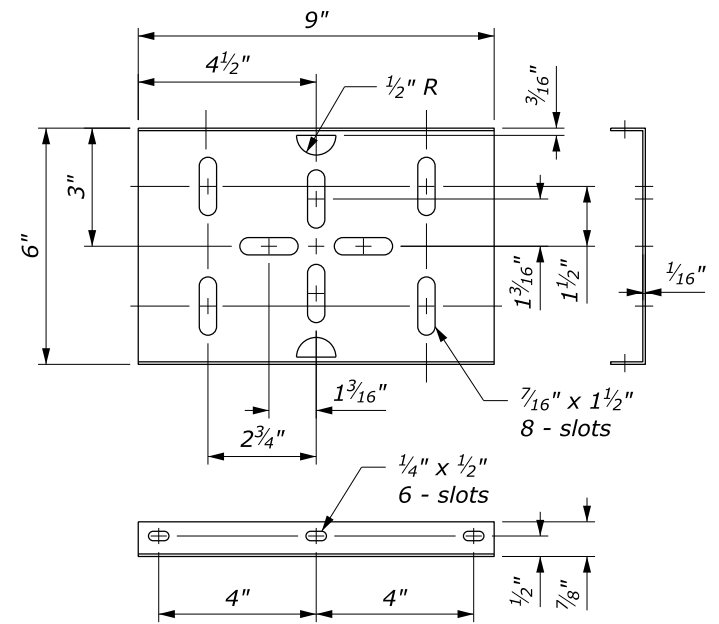
SPACER



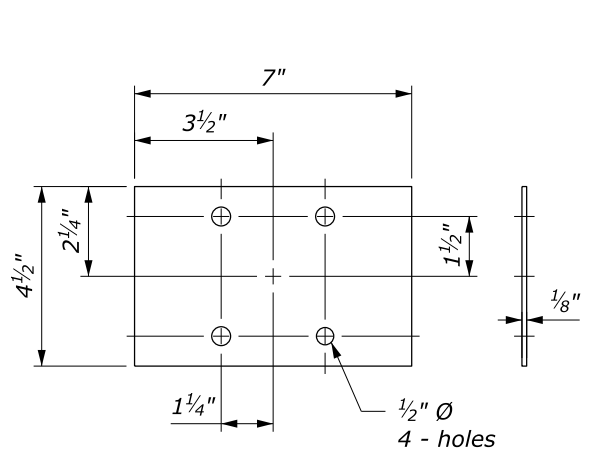
SPACING FOR MULTIPLE POST INSTALLATION



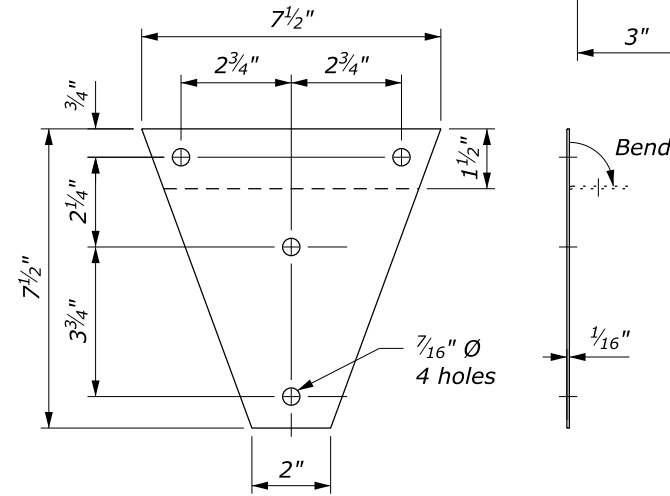
SHELF



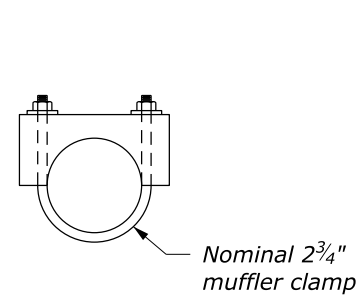
PLATFORM



ANTI-TWIST PLATE



BRACKET

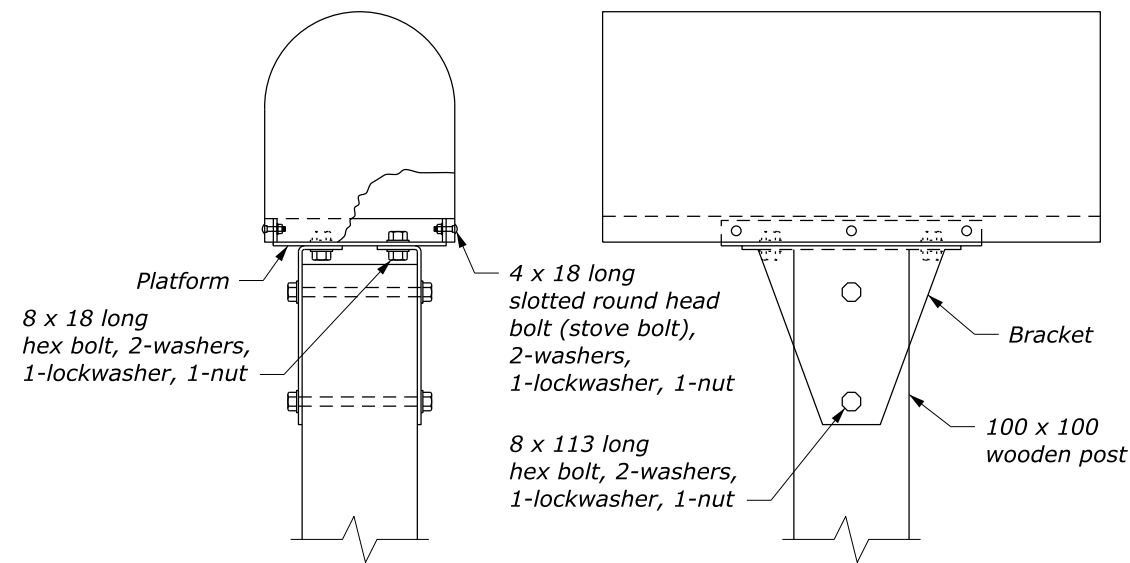


CLAMP

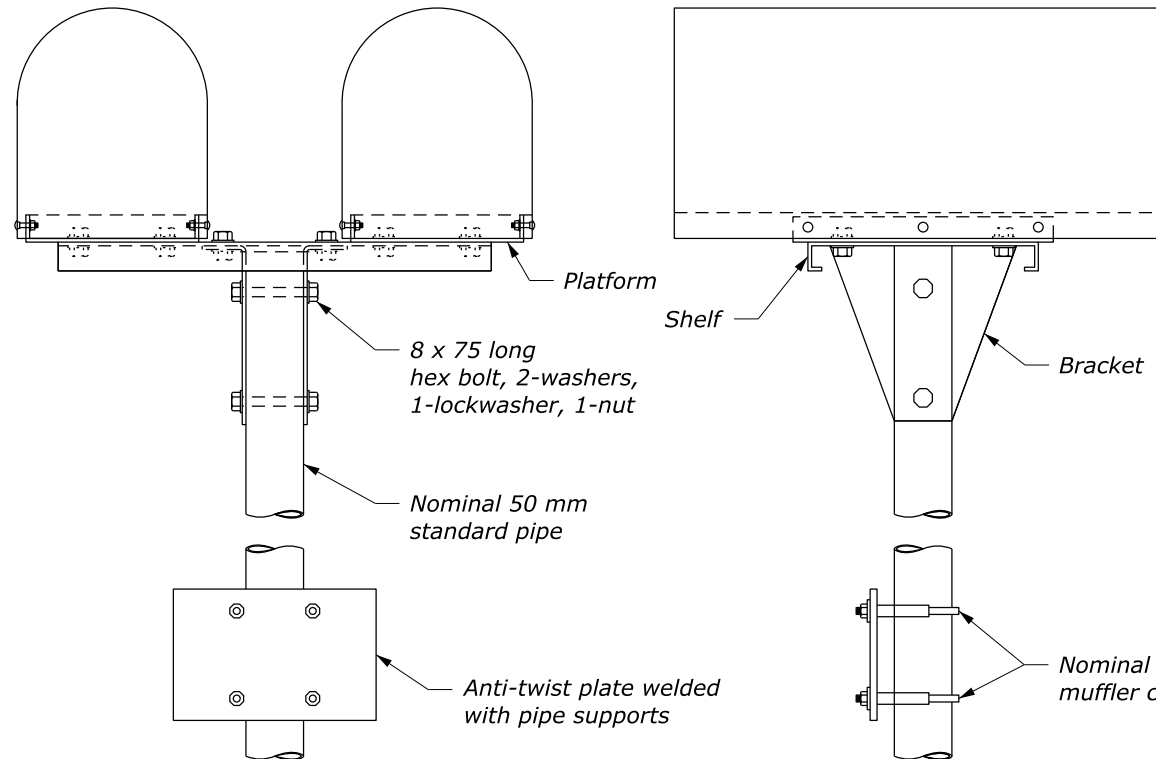
NO SCALE

U.S. DEPARTMENT OF TRANSPORTATION, FHWA OFFICE OF FEDERAL LANDS HIGHWAY	WFLHD DETAIL W646-2
MAILBOX ASSEMBLY SERIES A	SPECIFICATION FP-24, FP-14
	APPROVED FOR USE 11/2014

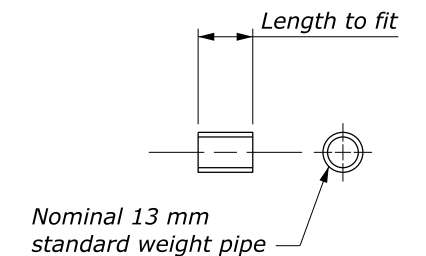
NOTE:
 1. Spacing between multiple mailboxes and height of mailbox above ground level are as established by the the U.S. Postal Service. H is usually 1.0 m to 1.2 m.



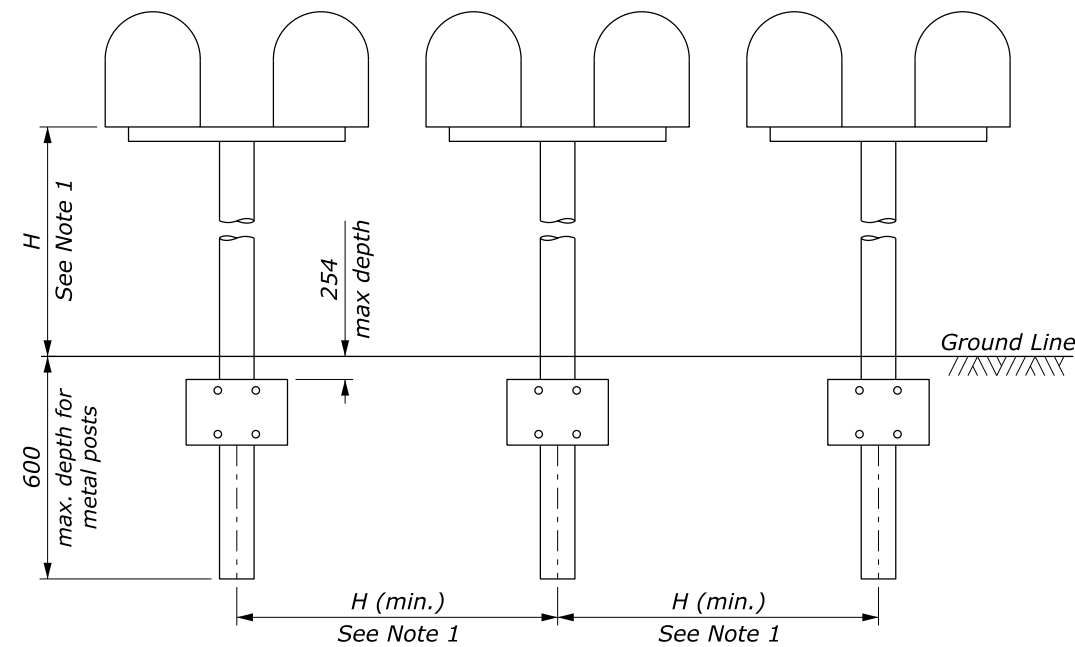
SINGLE MAILBOX INSTALLATION



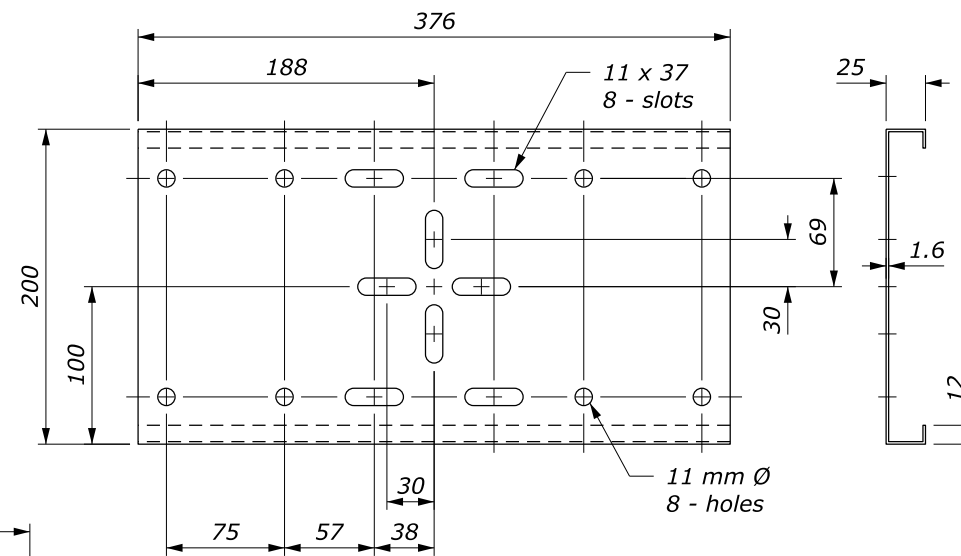
DOUBLE MAILBOX INSTALLATION



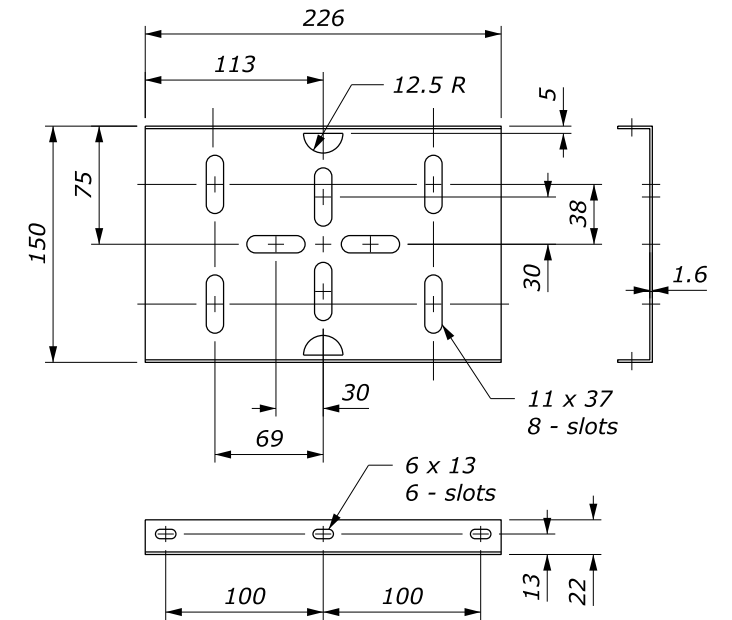
SPACER



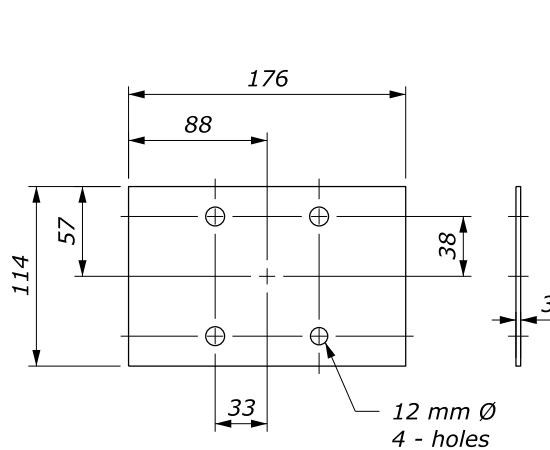
SPACING FOR MULTIPLE POST INSTALLATION



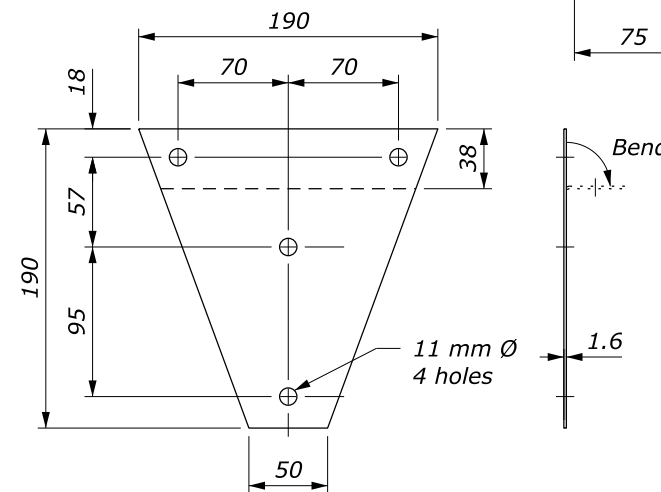
SHELF



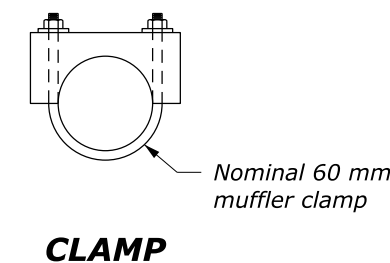
PLATFORM



ANTI-TWIST PLATE



BRACKET



CLAMP

This drawing contains **Metric** units of measure. Dimensions without units are millimeters.

NO SCALE

U.S. DEPARTMENT OF TRANSPORTATION, FHWA OFFICE OF FEDERAL LANDS HIGHWAY	WFLHD DETAIL WM646-2
MAILBOX ASSEMBLY SERIES A	SPECIFICATION FP-24, FP-14
	APPROVED FOR USE 11/2014