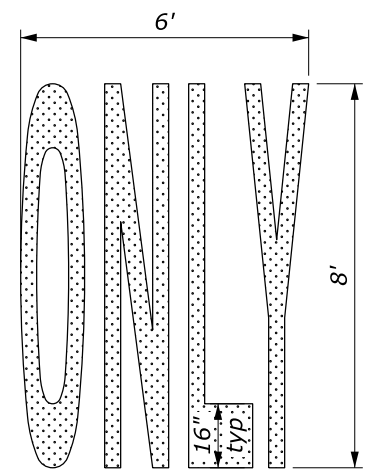
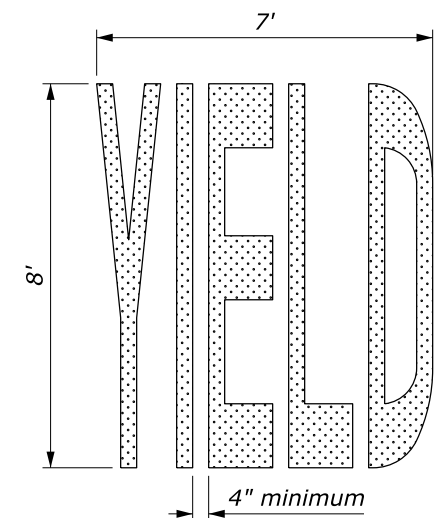
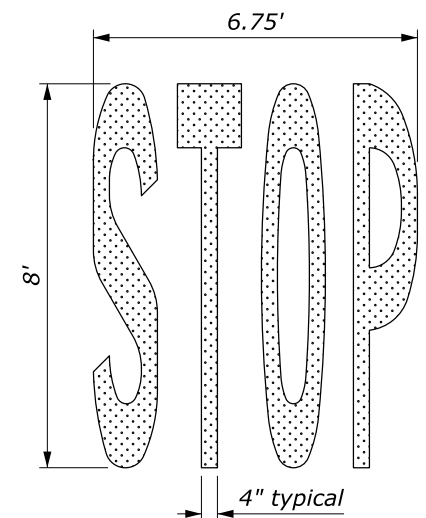


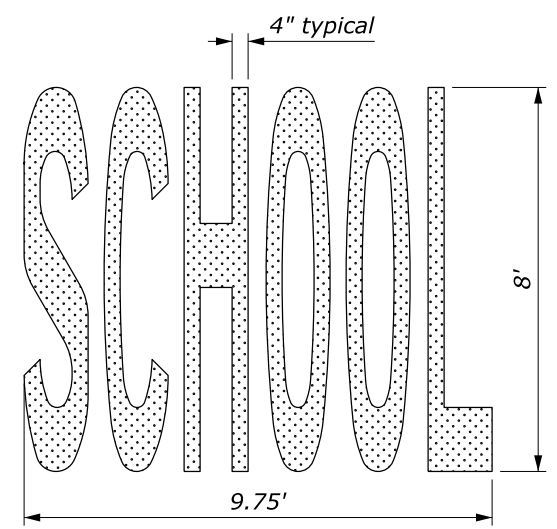
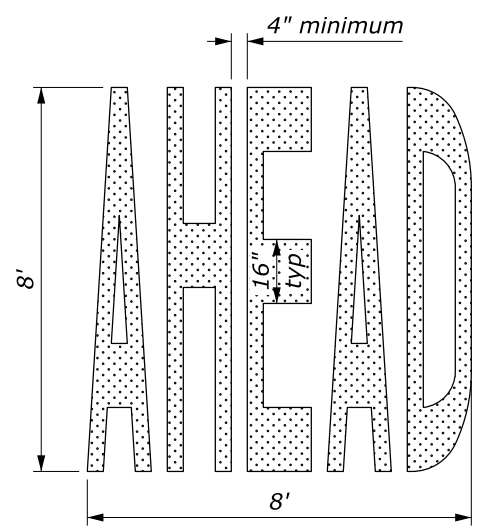
NOTE:

1. Place pavement word and symbol markings in accordance with the "Manual on Uniform Traffic Control Devices" (MUTCD), current edition.
2. Use the current edition of the "Standard Highway Signs" to size all letters, numerals and symbols.
3. The Accessibility Parking Space marking only includes the accessibility symbol unless a border is shown in the Striping Plans.

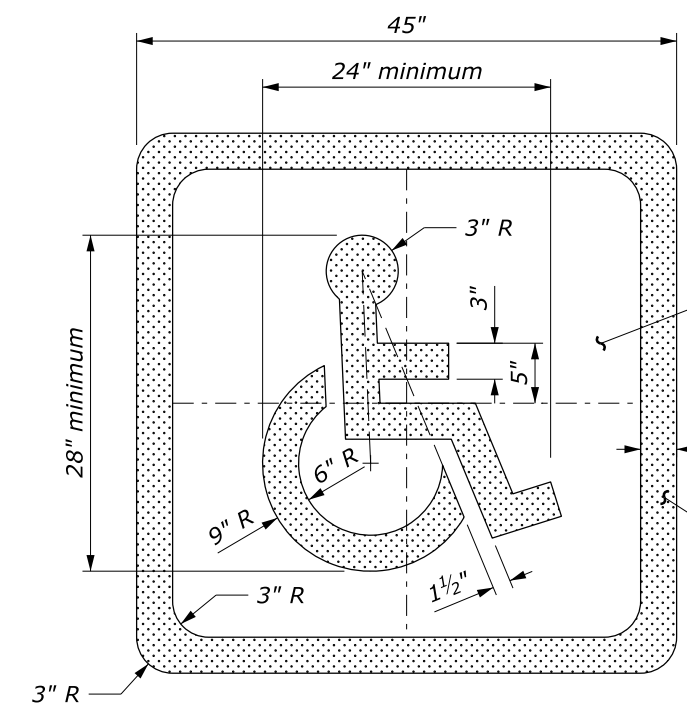
PAVEMENT MARKING AREAS	
TYPE	SQFT
Through Lane-Use Arrow	12
Turn Lane-Use Arrow	16
Turn and Through Lane-Use Arrow	26
Yield Ahead Triangle (V≤40 MPH)	26
Yield Ahead Triangle (V≥45 MPH)	37
Accessibility Marking (symbol only)	2
Accessibility Marking w/ border (White)	5
Accessibility Marking w/ border (Blue)	9
AHEAD Word Marking	30
ONLY Word Marking	21
SCHOOL Word Marking	33
STOP Word Marking	22
YIELD Word Marking	24



"STOP" WORD MARKING "YIELD" WORD MARKING "ONLY" WORD MARKING



"AHEAD" WORD MARKING "SCHOOL" WORD MARKING



Blue background when border shown in the Striping Plans

White border when shown in the Striping Plans

ACCESSIBILITY PARKING SPACE MARKING

NO SCALE

U.S. DEPARTMENT OF TRANSPORTATION, FHWA
OFFICE OF FEDERAL LANDS HIGHWAY

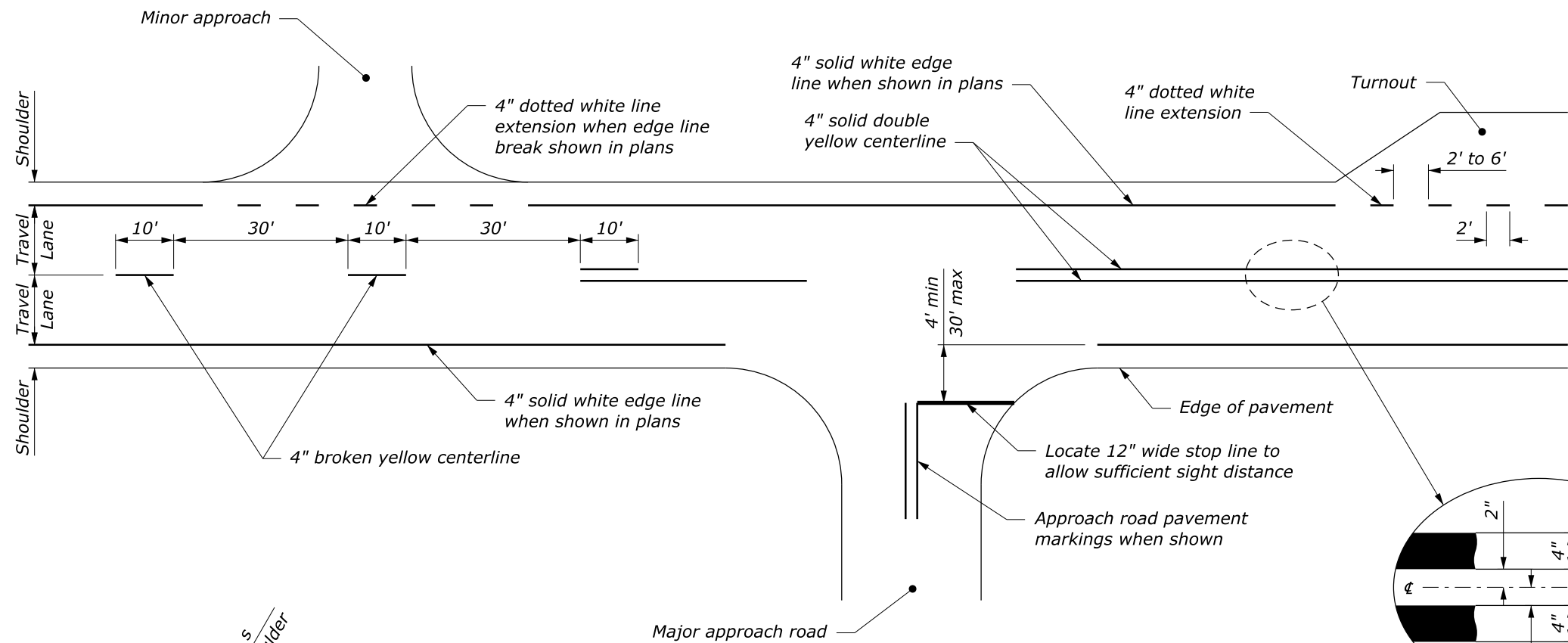
PAVEMENT MARKINGS SYMBOLS AND WORDS

WFLHD DETAIL
W634-1

SPECIFICATION
FP-24, FP-14

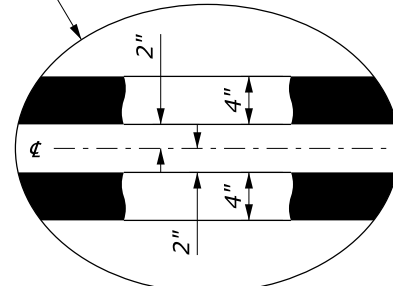
APPROVED FOR USE
9/2024

17 September 2024 11:44 AM c:\pwwork\dms43392\W634-1.dgn [Det:W634-1]



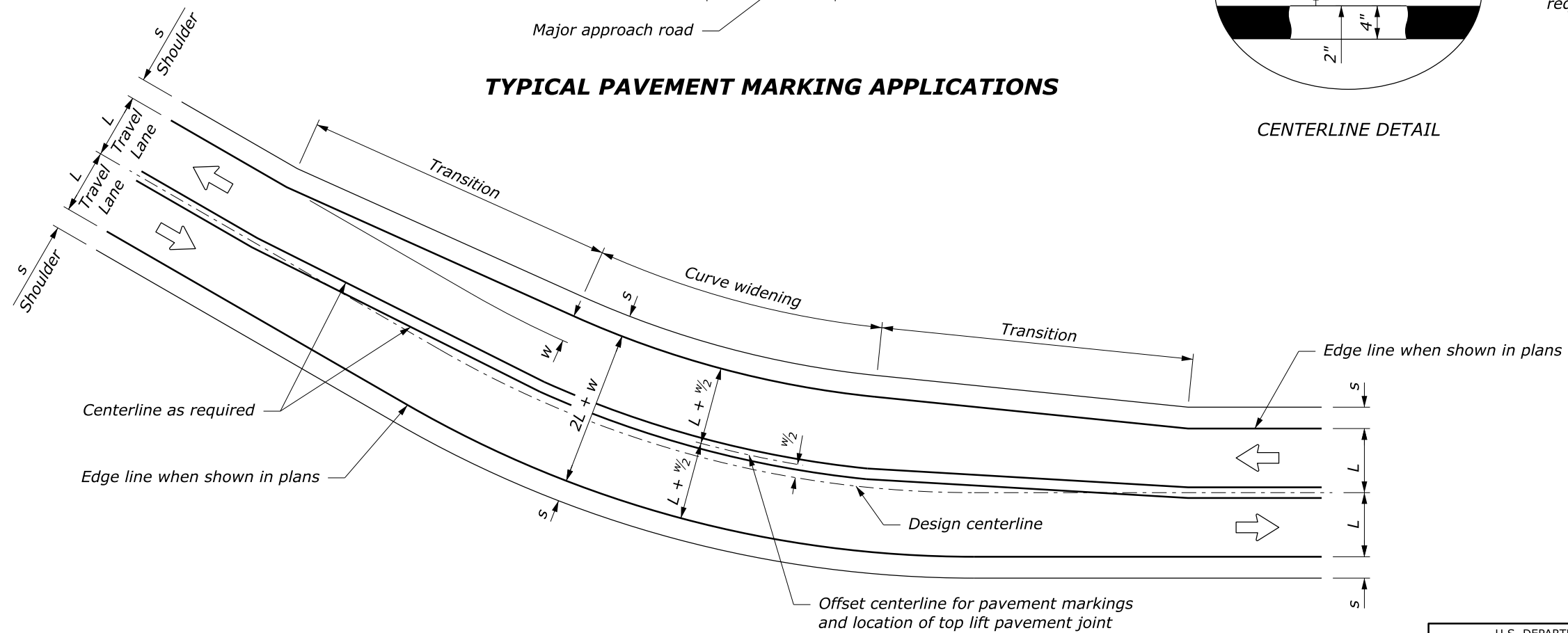
NOTE:

1. Place edge line pavement markings at asphalt/concrete curb interface when curb is present.
2. Paint centerline pavement markings on curves with curve widening "w" to achieve equal lane widths within the roadway. Maintain a constant shoulder width "s" throughout the curve widening area. See staking details for curve widening transition locations.
3. Typical pavement marking widths are shown. Use wider pavement markings when shown on the plans or when required by the maintaining agency.



CENTERLINE DETAIL

TYPICAL PAVEMENT MARKING APPLICATIONS



CENTERLINE MODIFICATION FOR CURVES WITH WIDENING APPLIED ON INSIDE

See Note 2 for treatment of curves when widening "w" is split equally on both sides of centerline

NO SCALE

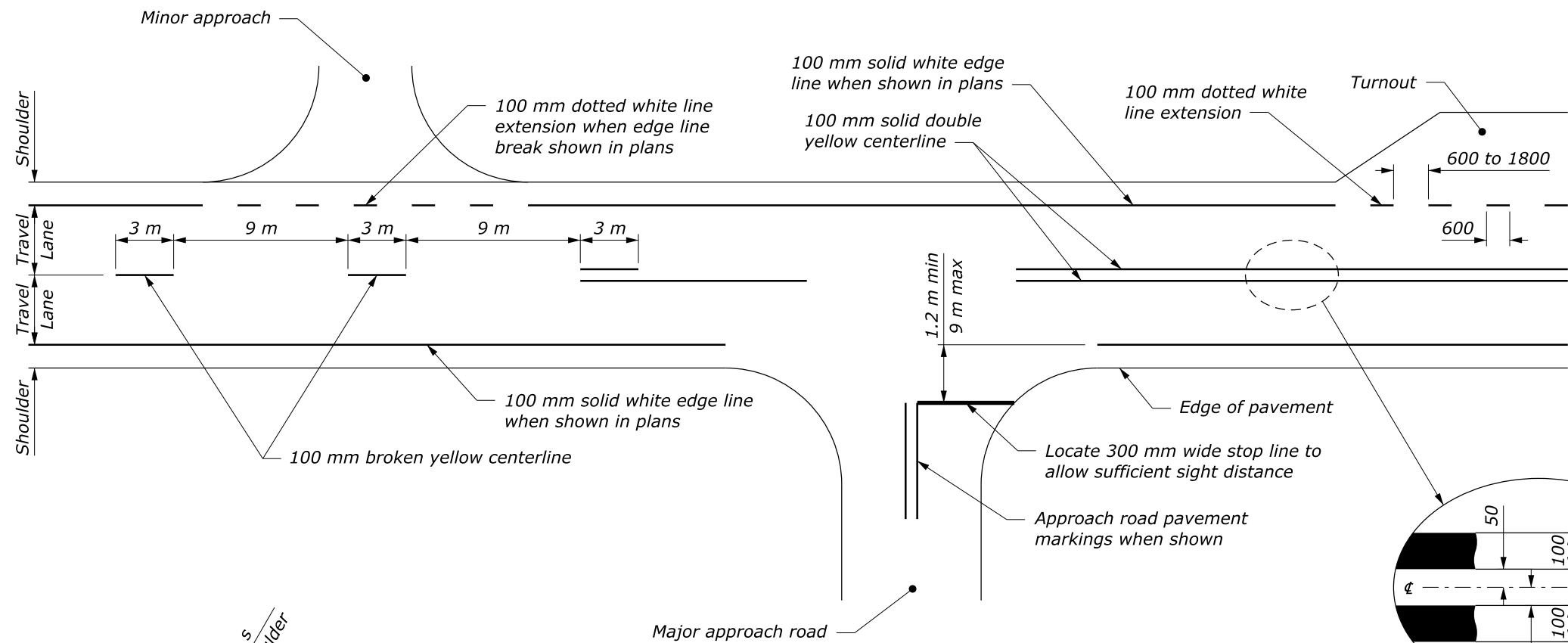
U.S. DEPARTMENT OF TRANSPORTATION, FHWA
OFFICE OF FEDERAL LANDS HIGHWAY

**LINEAR
PAVEMENT MARKINGS**

WFLHD DETAIL
W634-2

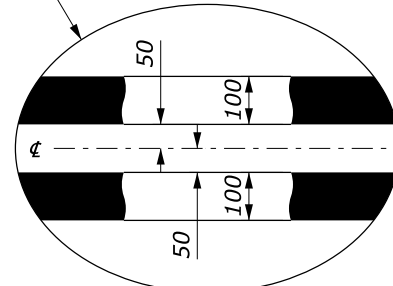
SPECIFICATION
FP-24, FP-14

APPROVED FOR USE
9/2024



NOTE:

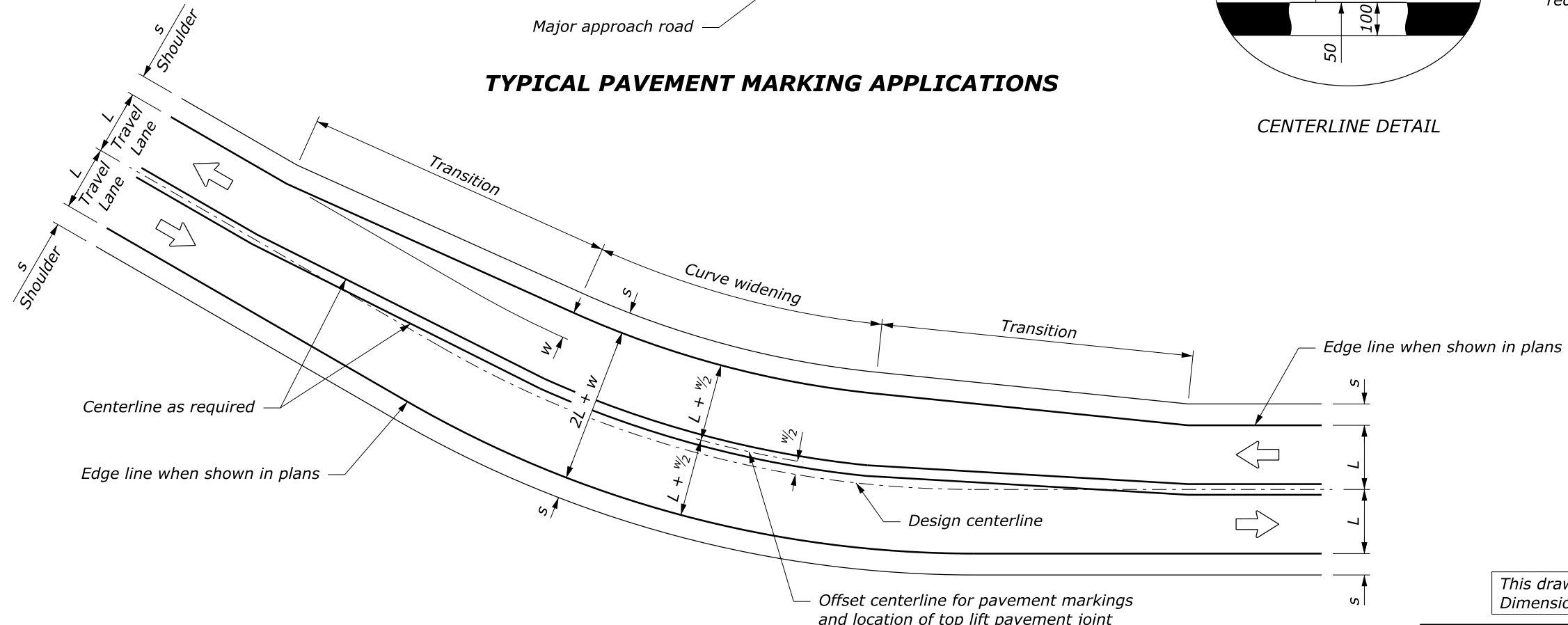
1. Place edge line pavement markings at asphalt/concrete curb interface when curb is present.
2. Paint centerline pavement markings on curves with curve widening "w" to achieve equal lane widths within the roadway. Maintain a constant shoulder width "s" throughout the curve widening area. See staking details for curve widening transition locations.
3. Typical pavement marking widths are shown. Use wider pavement markings when shown on the plans or when required by the maintaining agency.



Increase spacing between parallel lines when shown in the plans or when required by the maintaining agency

TYPICAL PAVEMENT MARKING APPLICATIONS

CENTERLINE DETAIL



CENTERLINE MODIFICATION FOR CURVES WITH WIDENING APPLIED ON INSIDE

See Note 2 for treatment of curves when widening "w" is split equally on both sides of centerline

This drawing contains **Metric** units of measure. Dimensions without units are millimeters.

U.S. DEPARTMENT OF TRANSPORTATION, FHWA OFFICE OF FEDERAL LANDS HIGHWAY	WFLHD DETAIL WM634-2
LINEAR PAVEMENT MARKINGS	SPECIFICATION FP-24, FP-14
	APPROVED FOR USE 9/2024

NO SCALE