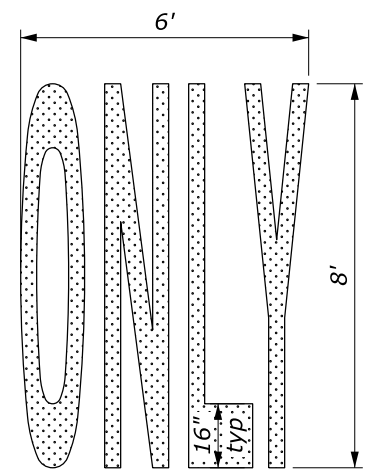
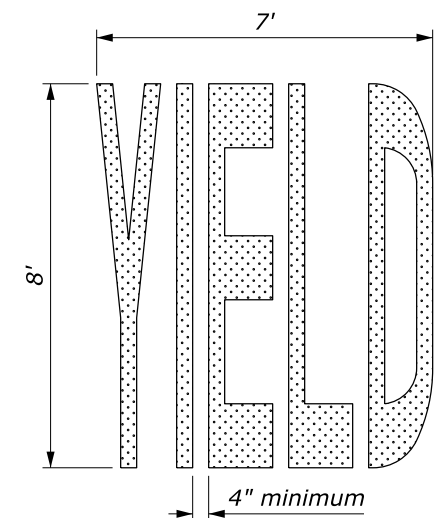
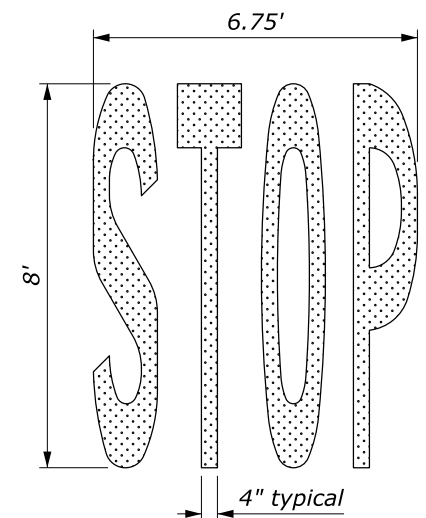


NOTE:

1. Place pavement word and symbol markings in accordance with the "Manual on Uniform Traffic Control Devices" (MUTCD), current edition.
2. Use the current edition of the "Standard Highway Signs" to size all letters, numerals and symbols.
3. The Accessibility Parking Space marking only includes the accessibility symbol unless a border is shown in the Striping Plans.

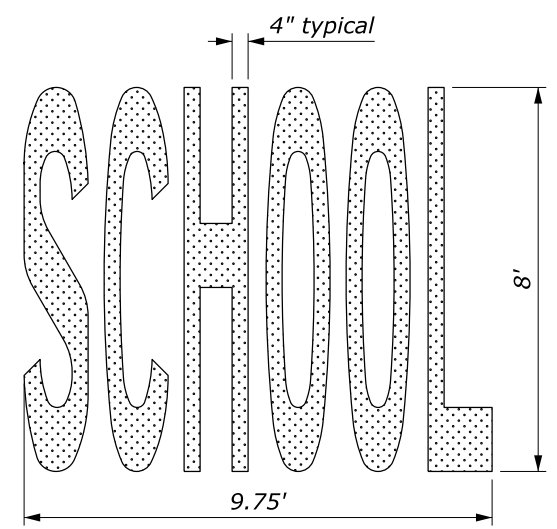
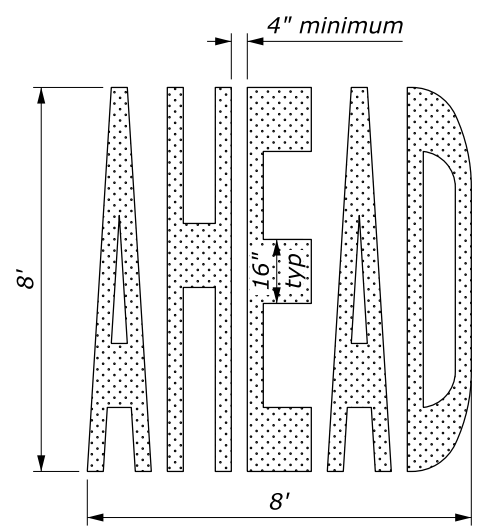
PAVEMENT MARKING AREAS	
TYPE	SQFT
Through Lane-Use Arrow	12
Turn Lane-Use Arrow	16
Turn and Through Lane-Use Arrow	26
Yield Ahead Triangle (V≤40 MPH)	26
Yield Ahead Triangle (V≥45 MPH)	37
Accessibility Marking (symbol only)	2
Accessibility Marking w/ border (White)	5
Accessibility Marking w/ border (Blue)	9
AHEAD Word Marking	30
ONLY Word Marking	21
SCHOOL Word Marking	33
STOP Word Marking	22
YIELD Word Marking	24



"STOP" WORD MARKING

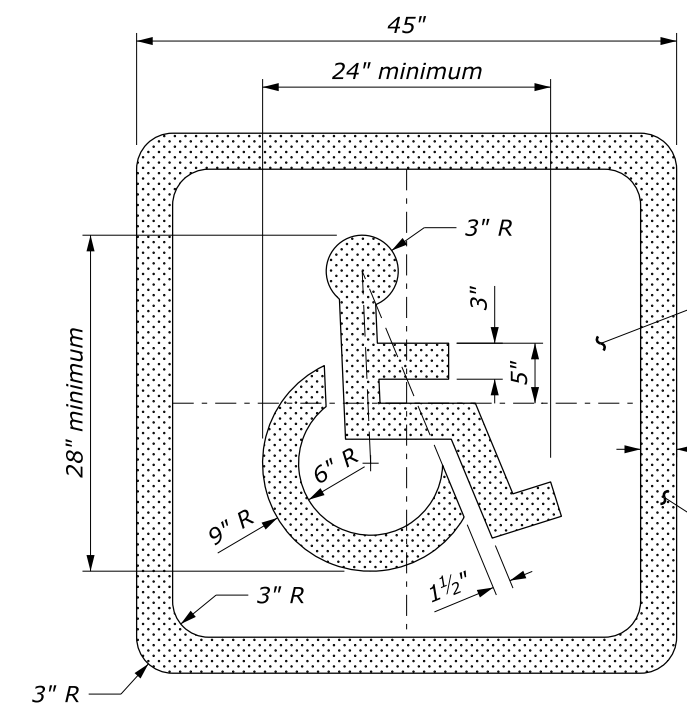
"YIELD" WORD MARKING

"ONLY" WORD MARKING



"AHEAD" WORD MARKING

"SCHOOL" WORD MARKING



Blue background when border shown in the Striping Plans

White border when shown in the Striping Plans

NO SCALE

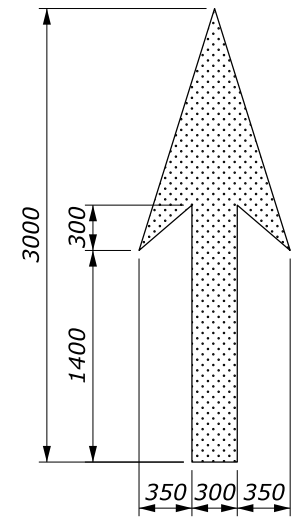
U.S. DEPARTMENT OF TRANSPORTATION, FHWA
OFFICE OF FEDERAL LANDS HIGHWAY

**PAVEMENT MARKINGS
SYMBOLS AND WORDS**

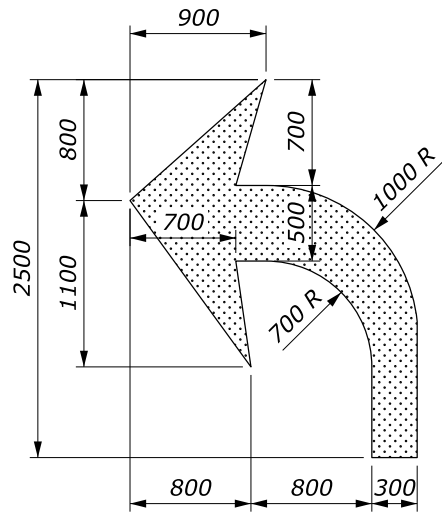
WFLHD DETAIL
W634-1

SPECIFICATION
FP-24, FP-14

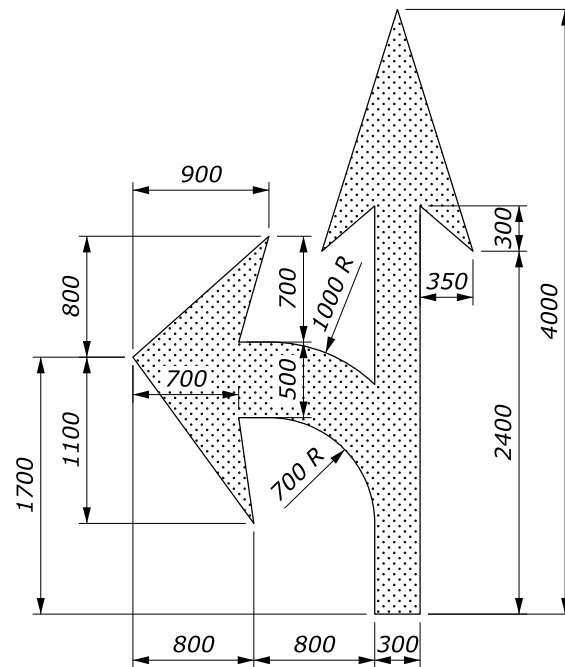
APPROVED FOR USE
9/2024



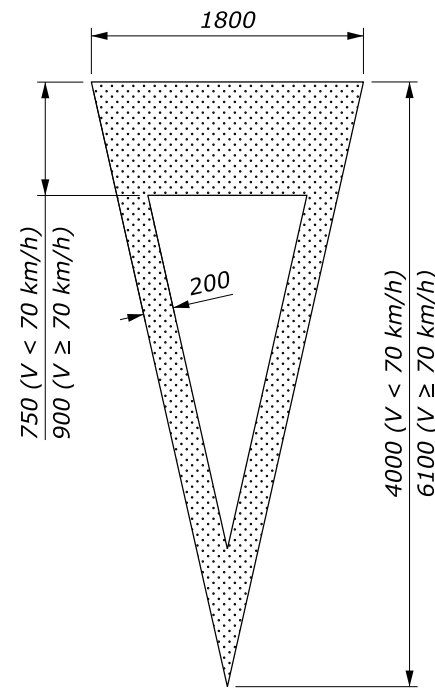
THROUGH LANE-USE ARROW



TURN LANE-USE ARROW



TURN AND THROUGH LANE-USE ARROW

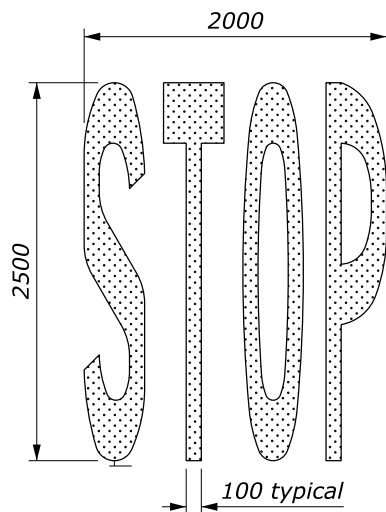


YIELD AHEAD TRIANGLE SYMBOL

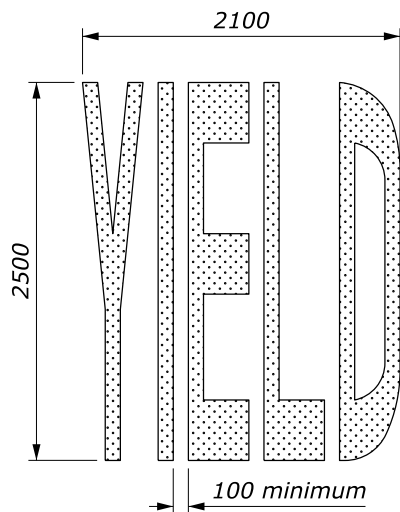
NOTE:

1. Place pavement word and symbol markings in accordance with the "Manual on Uniform Traffic Control Devices" (MUTCD), current edition.
2. Use the current edition of the "Standard Highway Signs" to size all letters, numerals and symbols.
3. The Accessibility Parking Space marking only includes the accessibility symbol unless a border is shown in the Striping Plans.

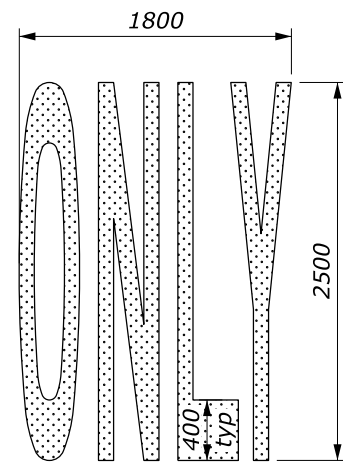
PAVEMENT MARKING AREAS	
TYPE	m ²
Through Lane-Use Arrow	1.1
Turn Lane-Use Arrow	1.5
Turn and Through Lane-Use Arrow	2.5
Yield Ahead Triangle (V < 70 km/h)	2.4
Yield Ahead Triangle (V ≥ 70 km/h)	3.3
Accessibility Marking (symbol only)	0.1
Accessibility Marking w/ border (White)	0.5
Accessibility Marking w/ border (Blue)	0.8
AHEAD Word Marking	2.8
ONLY Word Marking	2.0
SCHOOL Word Marking	3.1
STOP Word Marking	2.0
YIELD Word Marking	2.2



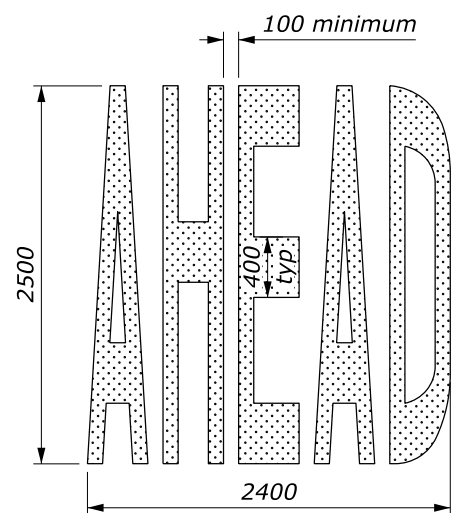
"STOP" WORD MARKING



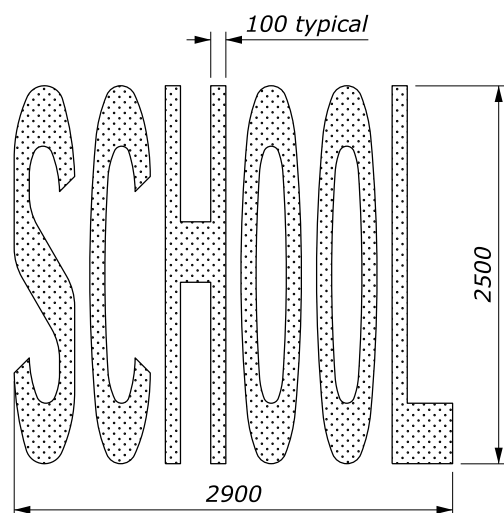
"YIELD" WORD MARKING



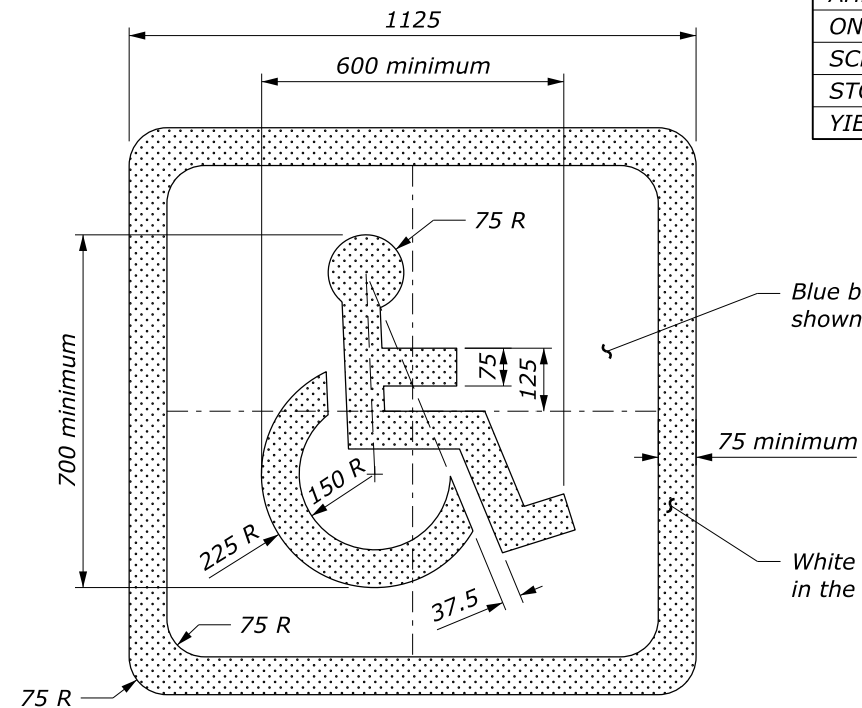
"ONLY" WORD MARKING



"AHEAD" WORD MARKING



"SCHOOL" WORD MARKING



ACCESSIBILITY PARKING SPACE MARKING

Blue background when border shown in the Striping Plans

White border when shown in the Striping Plans

This drawing contains **Metric** units of measure. Dimensions without units are millimeters.

NO SCALE

U.S. DEPARTMENT OF TRANSPORTATION, FHWA OFFICE OF FEDERAL LANDS HIGHWAY	WFLHD DETAIL WM634-1
PAVEMENT MARKINGS SYMBOLS AND WORDS	SPECIFICATION FP-24, FP-14
	APPROVED FOR USE 9/2024