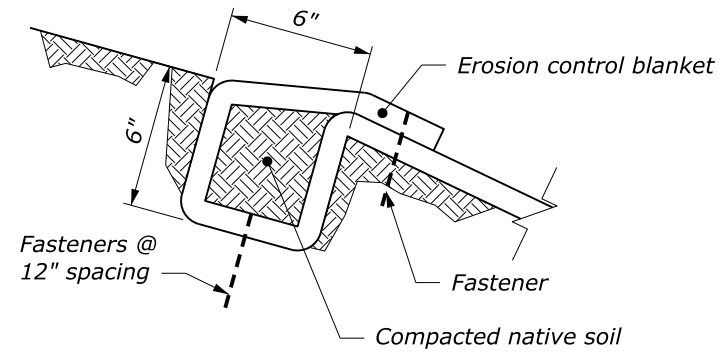
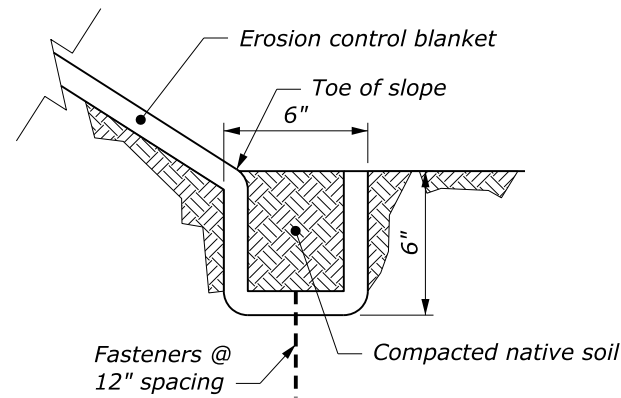


**NOTE:**

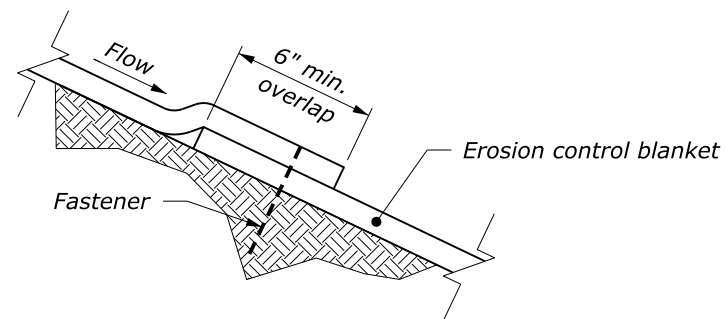
1. Install fasteners according to the manufacturer's recommendations.
2. Overlap in the direction of the prevailing wind.



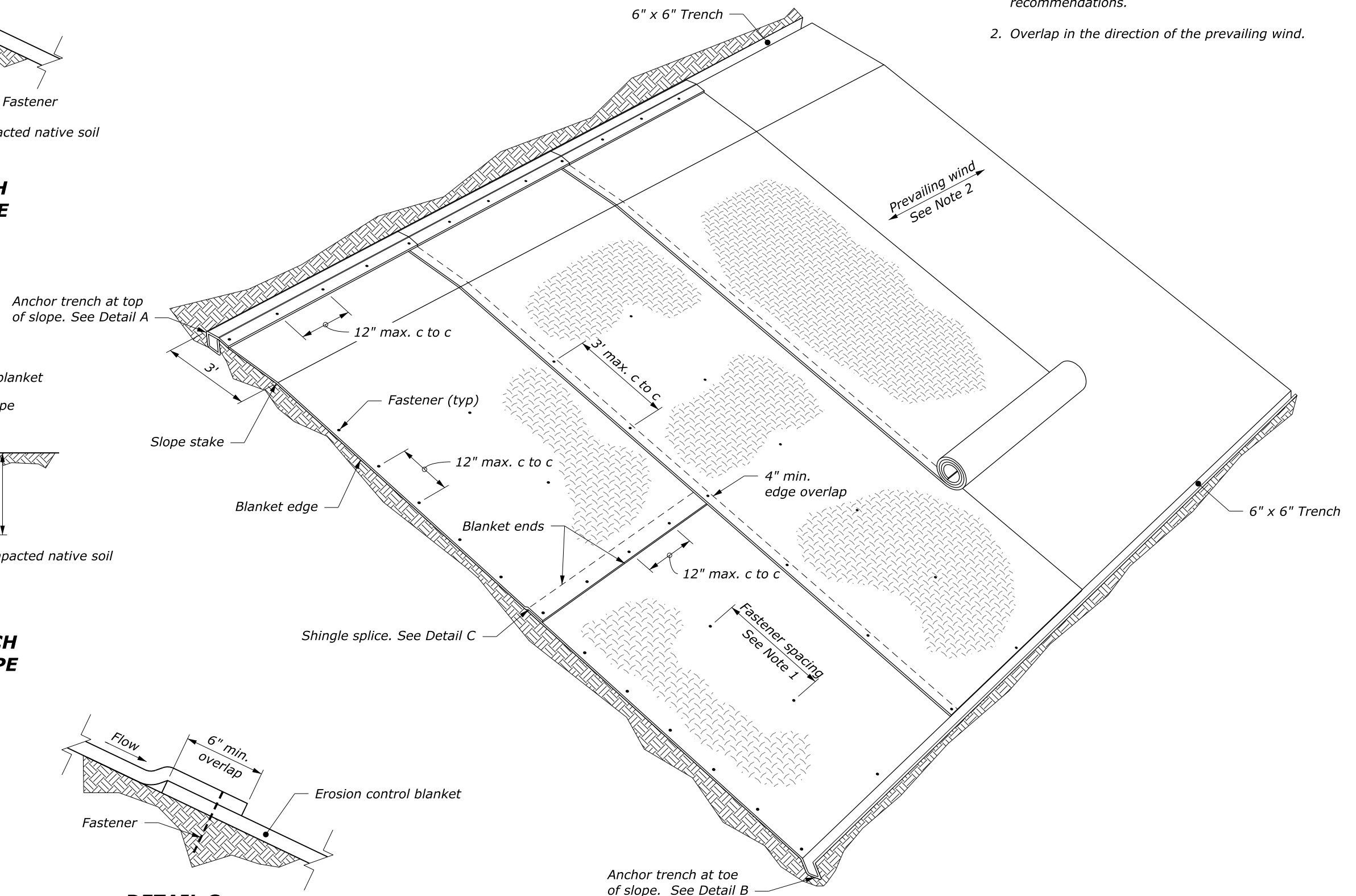
**DETAIL A  
ANCHOR TRENCH  
AT TOP OF SLOPE**



**DETAIL B  
ANCHOR TRENCH  
AT TOE OF SLOPE**



**DETAIL C  
SHINGLE SPLICE**



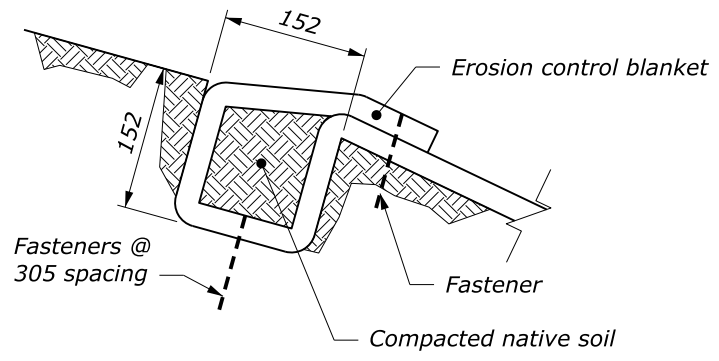
**PERSPECTIVE VIEW**

NO SCALE

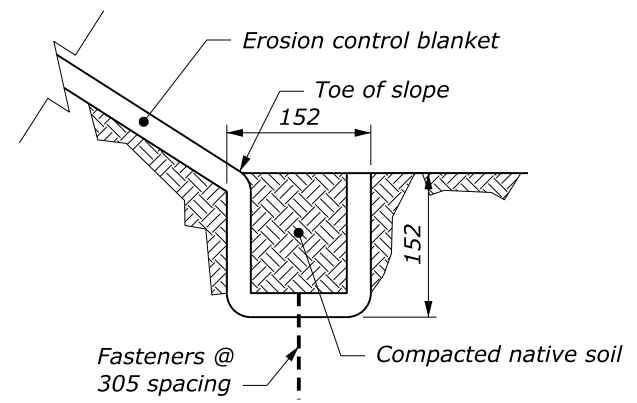
U.S. DEPARTMENT OF TRANSPORTATION, FHWA OFFICE OF FEDERAL LANDS HIGHWAY	WFLHD DETAIL W629-1
<b>ROLLED EROSION CONTROL PRODUCT ON SLOPES</b>	SPECIFICATION FP-24
	APPROVED FOR USE --/----

**NOTE:**

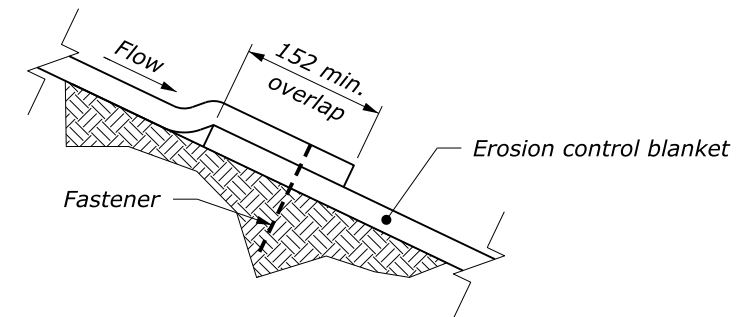
1. Install fasteners according to the manufacturer's recommendations.
2. Overlap in the direction of the prevailing wind.



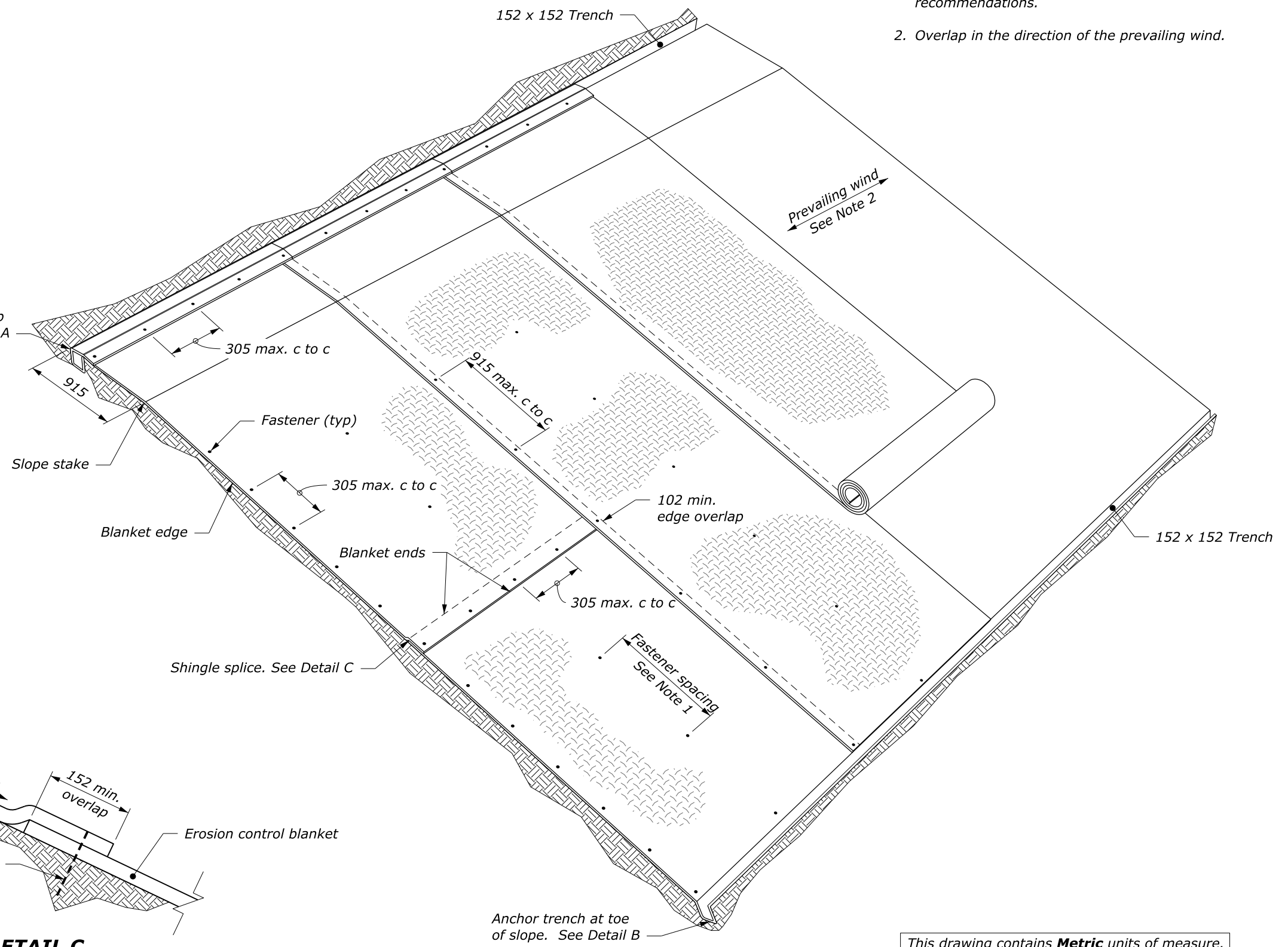
**DETAIL A  
ANCHOR TRENCH  
AT TOP OF SLOPE**



**DETAIL B  
ANCHOR TRENCH  
AT TOE OF SLOPE**



**DETAIL C  
SHINGLE SPLICE**



**PERSPECTIVE VIEW**

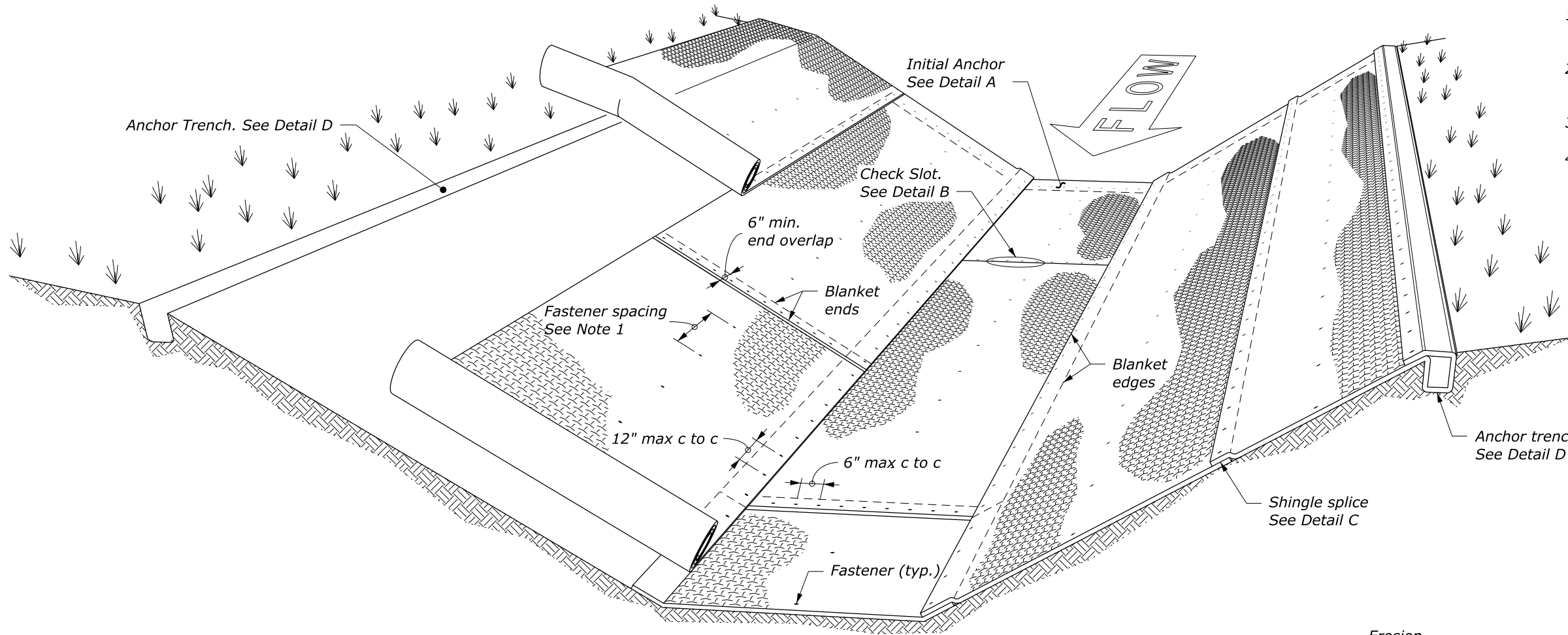
NO SCALE

This drawing contains **Metric** units of measure.  
Dimensions without units are millimeters.

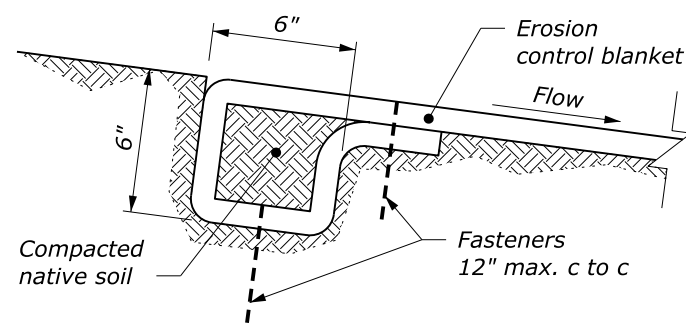
U.S. DEPARTMENT OF TRANSPORTATION, FHWA OFFICE OF FEDERAL LANDS HIGHWAY	WFLHD DETAIL WM629-1
<b>ROLLED EROSION CONTROL PRODUCT ON SLOPES</b>	SPECIFICATION FP-24
	APPROVED FOR USE --/----

**NOTE:**

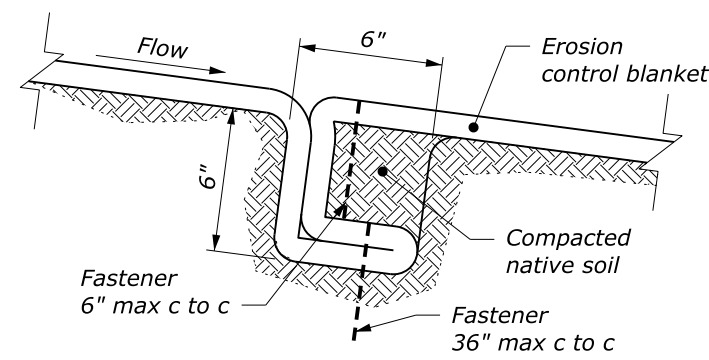
1. Install fasteners according to the manufacturer's recommendations.
2. Provide check slots according to the manufacturer's recommendations.
3. Roll ends may be spliced in a check slot.
4. Trapezoidal ditch shown. Similar details for a V-ditch.



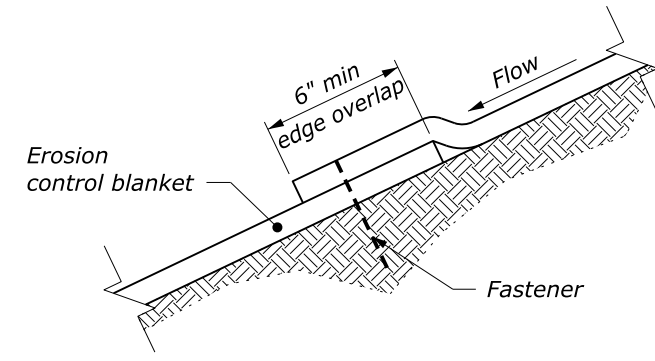
**PERSPECTIVE VIEW**



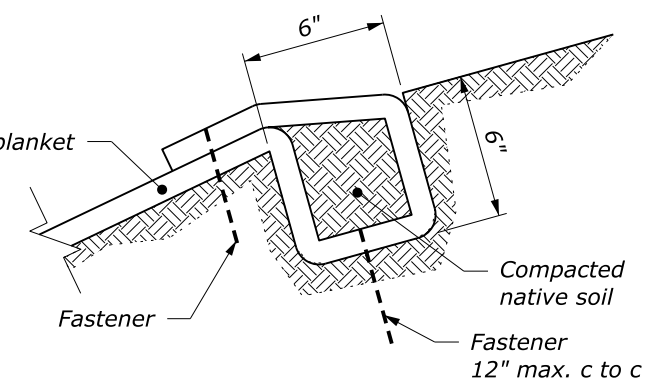
**DETAIL A  
INITIAL ANCHOR**



**DETAIL B  
CHECK SLOT**  
See Note 2



**DETAIL C  
SHINGLE SPLICE**



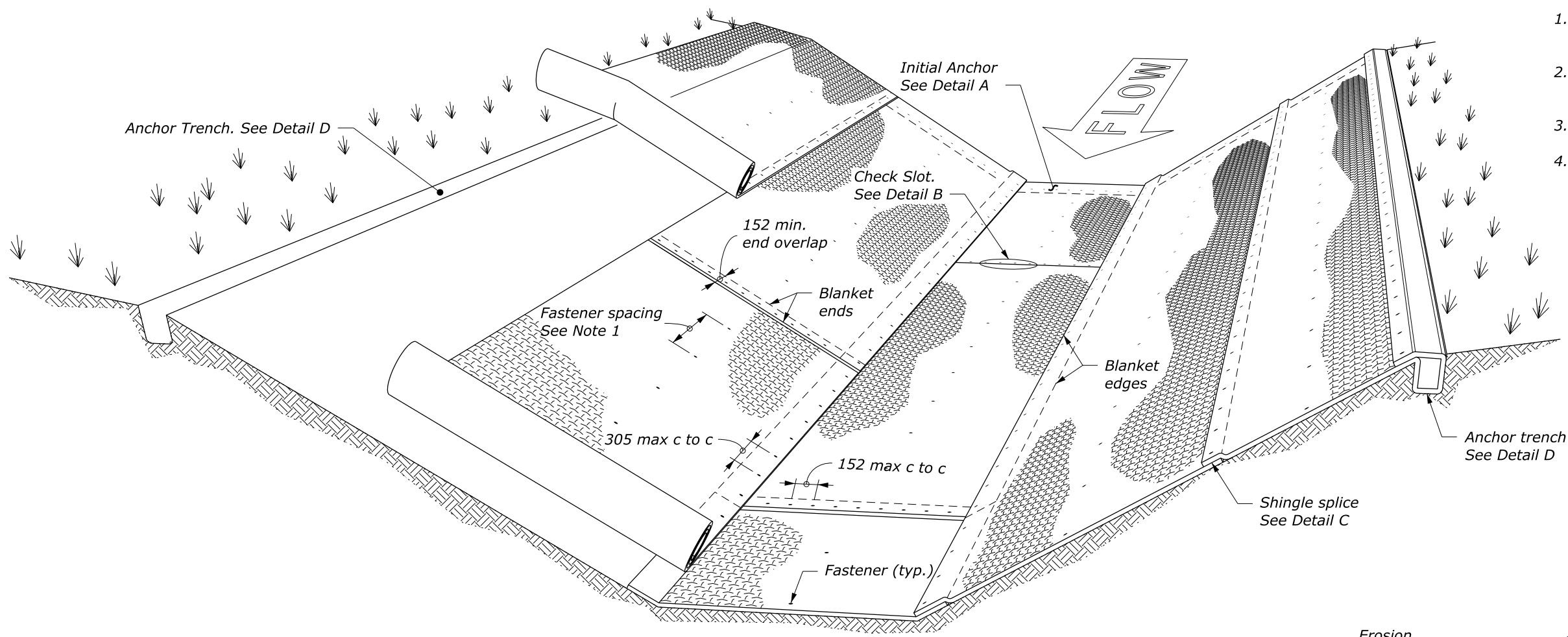
**DETAIL D  
ANCHOR TRENCH**

NO SCALE

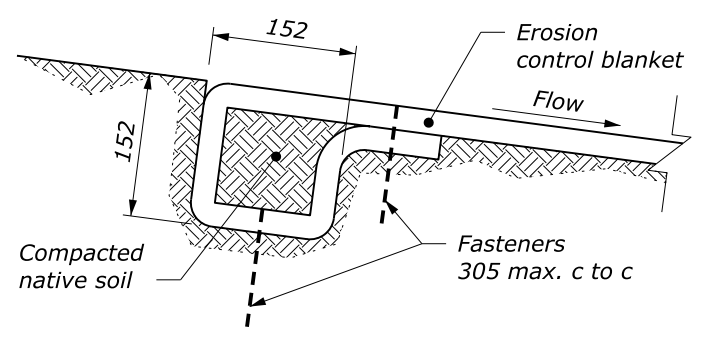
U.S. DEPARTMENT OF TRANSPORTATION, FHWA OFFICE OF FEDERAL LANDS HIGHWAY	WFLHD DETAIL W629-2
<b>ROLLED EROSION CONTROL PRODUCT IN CHANNELS</b>	SPECIFICATION FP-24
	APPROVED FOR USE --/----

**NOTE:**

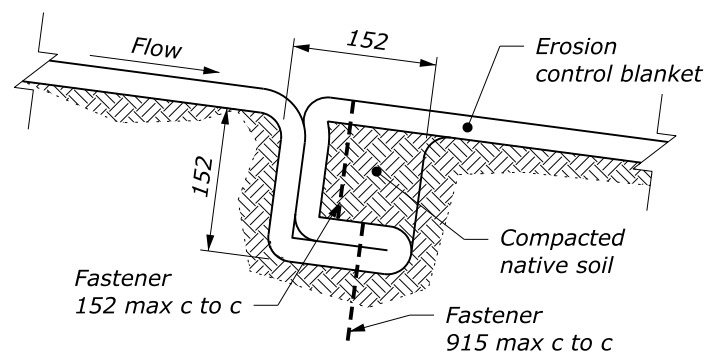
1. Install fasteners according to the manufacturer's recommendations.
2. Provide check slots according to the manufacturer's recommendations.
3. Roll ends may be spliced in a check slot.
4. Trapezoidal ditch shown. Similar details for a V-ditch.



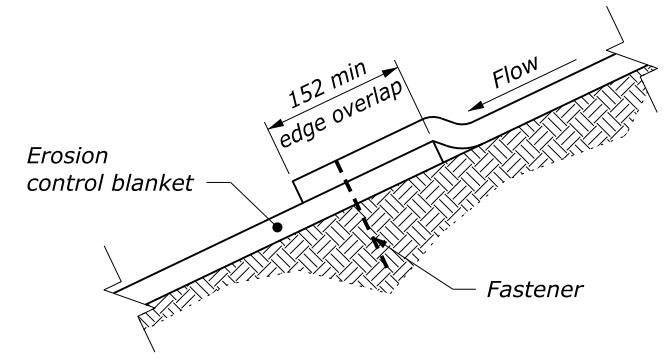
**PERSPECTIVE VIEW**



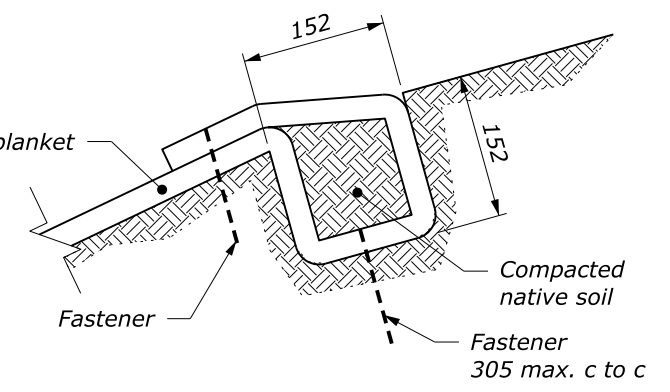
**DETAIL A  
INITIAL ANCHOR**



**DETAIL B  
CHECK SLOT**  
See Note 2



**DETAIL C  
SHINGLE SPLICE**



**DETAIL D  
ANCHOR TRENCH**

This drawing contains **Metric** units of measure. Dimensions without units are millimeters.

U.S. DEPARTMENT OF TRANSPORTATION, FHWA OFFICE OF FEDERAL LANDS HIGHWAY	WFLHD DETAIL WM629-2
<b>ROLLED EROSION CONTROL PRODUCT IN CHANNELS</b>	SPECIFICATION FP-24
	APPROVED FOR USE --/----

NO SCALE