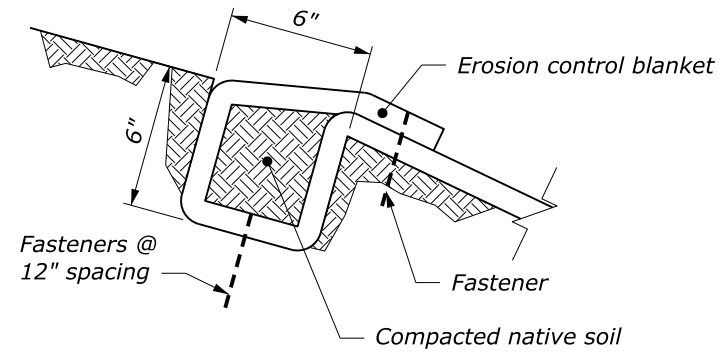
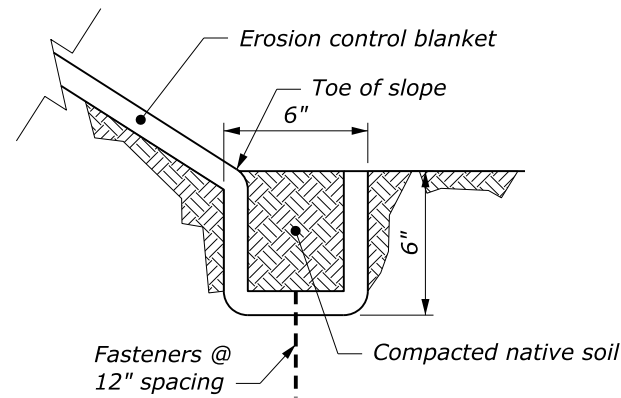


NOTE:

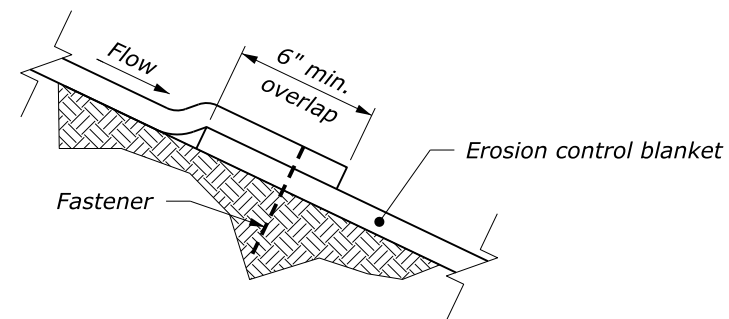
1. Install fasteners according to the manufacturer's recommendations.
2. Overlap in the direction of the prevailing wind.



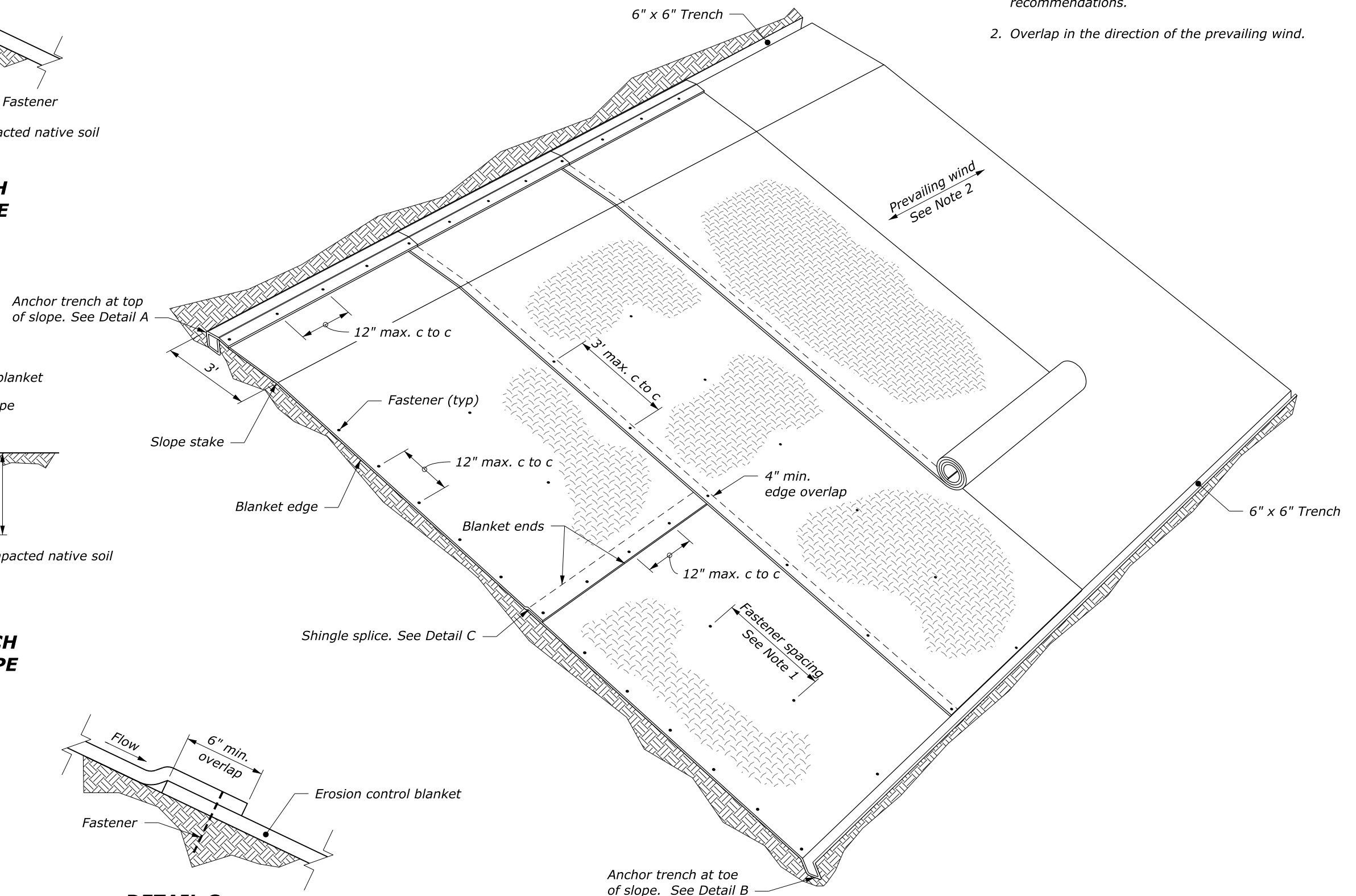
**DETAIL A
ANCHOR TRENCH
AT TOP OF SLOPE**



**DETAIL B
ANCHOR TRENCH
AT TOE OF SLOPE**



**DETAIL C
SHINGLE SPLICE**



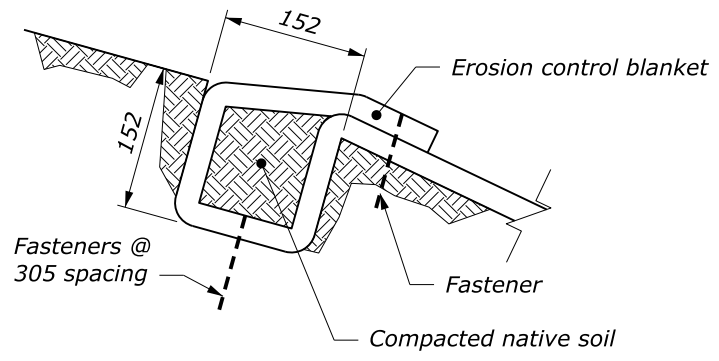
PERSPECTIVE VIEW

NO SCALE

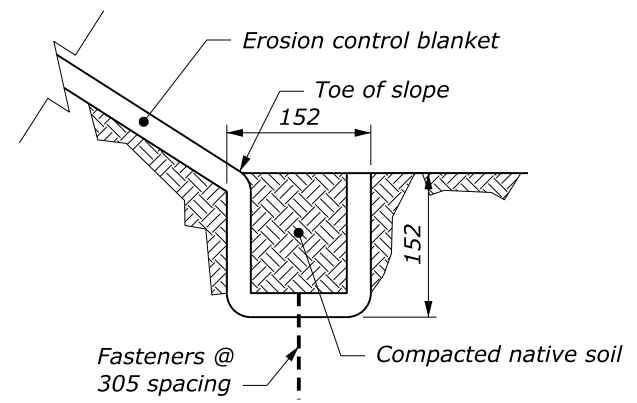
U.S. DEPARTMENT OF TRANSPORTATION, FHWA OFFICE OF FEDERAL LANDS HIGHWAY	WFLHD DETAIL W629-1
ROLLED EROSION CONTROL PRODUCT ON SLOPES	SPECIFICATION FP-24
	APPROVED FOR USE --/----

NOTE:

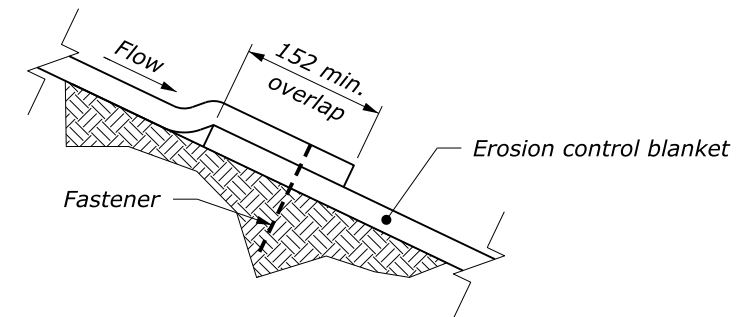
1. Install fasteners according to the manufacturer's recommendations.
2. Overlap in the direction of the prevailing wind.



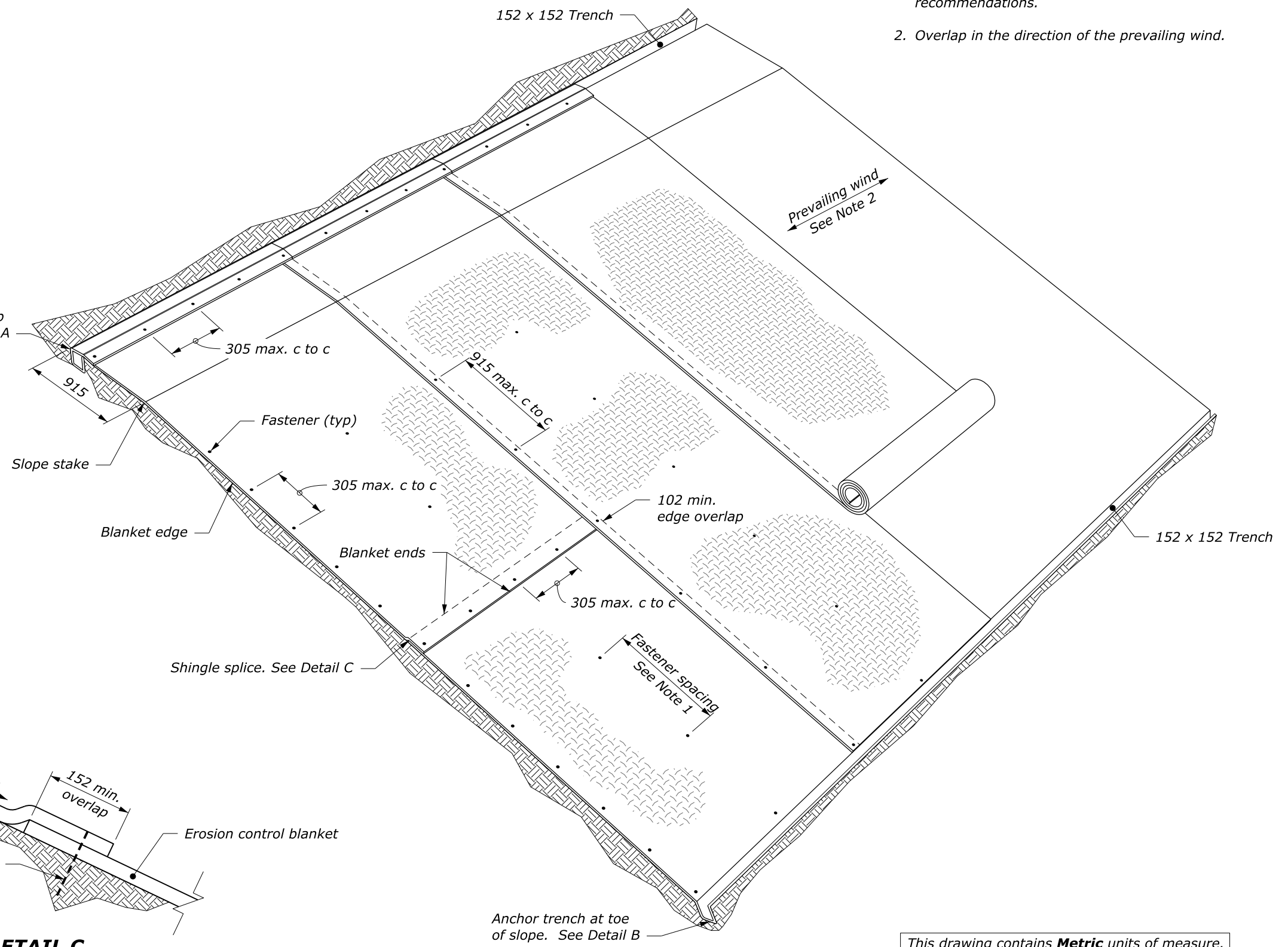
**DETAIL A
ANCHOR TRENCH
AT TOP OF SLOPE**



**DETAIL B
ANCHOR TRENCH
AT TOE OF SLOPE**



**DETAIL C
SHINGLE SPLICE**



PERSPECTIVE VIEW

NO SCALE

This drawing contains **Metric** units of measure.
Dimensions without units are millimeters.

U.S. DEPARTMENT OF TRANSPORTATION, FHWA OFFICE OF FEDERAL LANDS HIGHWAY	WFLHD DETAIL WM629-1
ROLLED EROSION CONTROL PRODUCT ON SLOPES	SPECIFICATION FP-24
	APPROVED FOR USE --/----