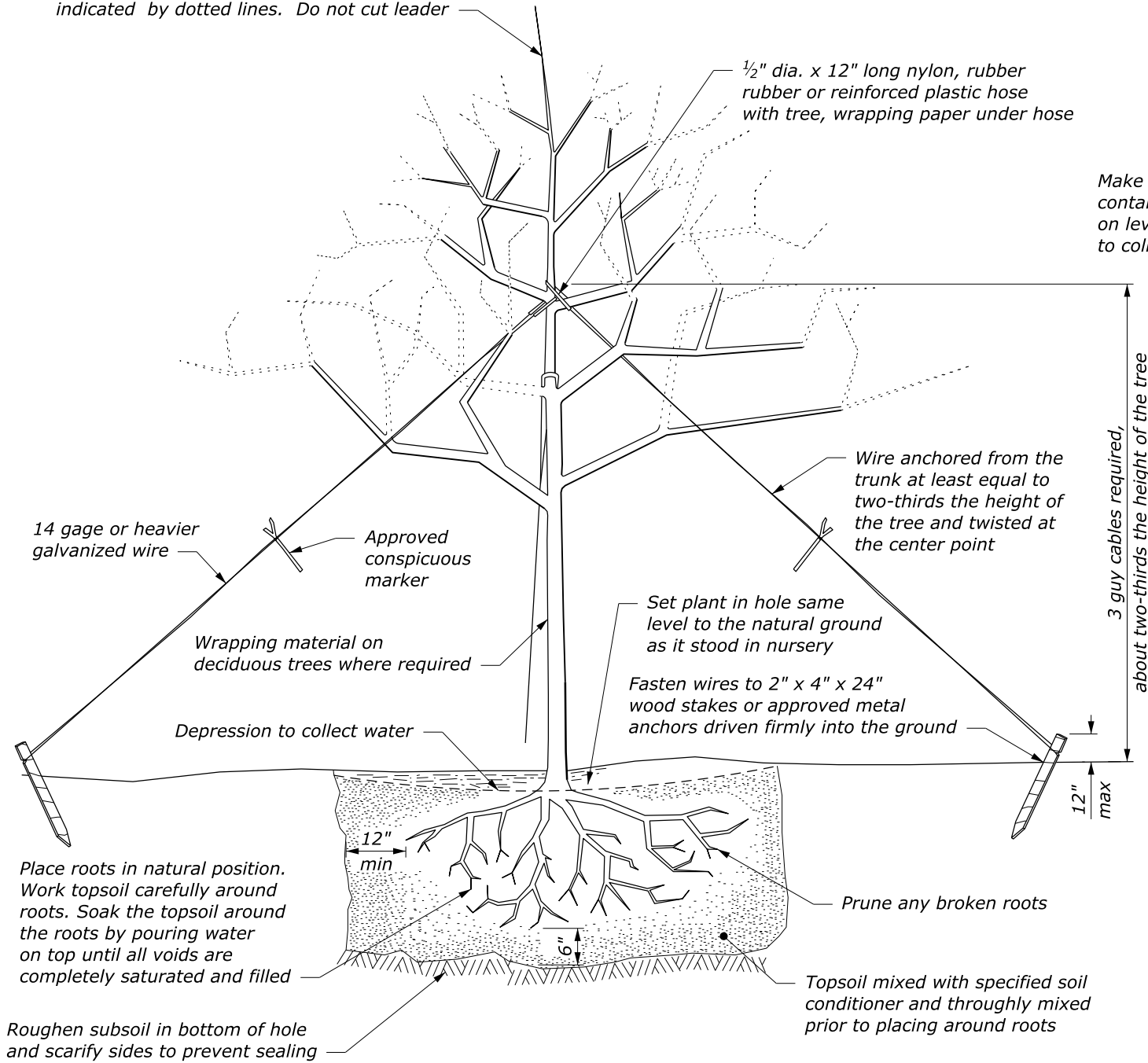


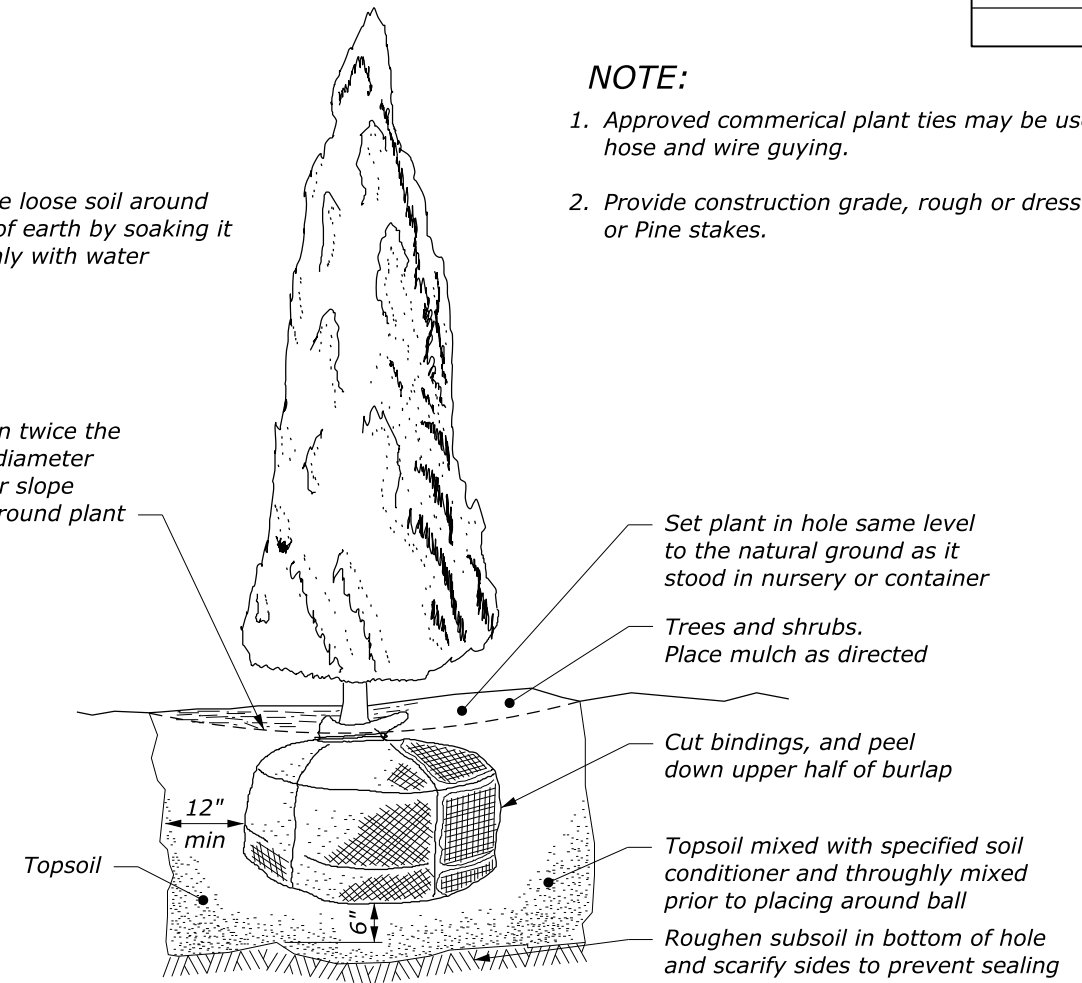
For bare root trees and shrubs, prune branches about 1/3 for nursery stock and about 1/2 for collected material as indicated by dotted lines. Do not cut leader



METHOD OF PLANTING BARE ROOT TREES AND SHRUBS AND METHOD OF GUYING DECIDUOUS TREES OVER 12' AND CONIFERS OVER 4'

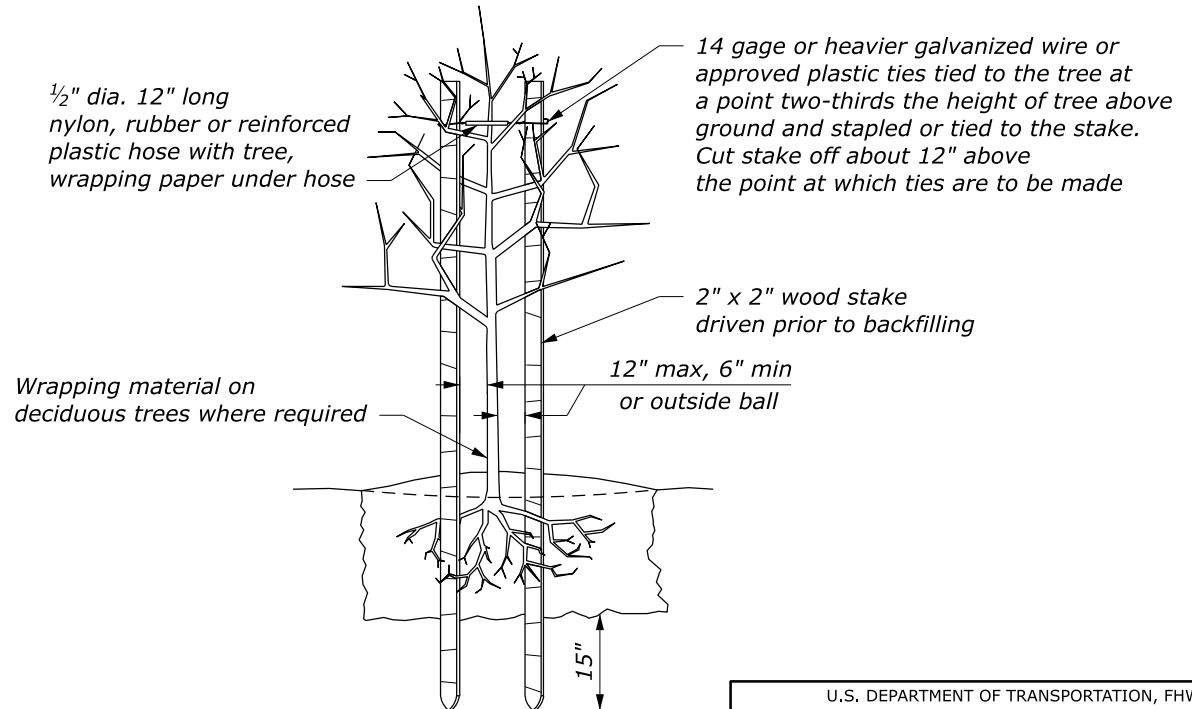
Settle the loose soil around the ball of earth by soaking it thoroughly with water

Make a depression twice the container or ball diameter on level ground or slope to collect water around plant



METHOD OF PLANTING CONTAINER OR BALLED AND BURLAPPED TREES AND SHRUBS

1/2 inch dia. 12 inch long nylon, rubber or reinforced plastic hose with tree, wrapping paper under hose

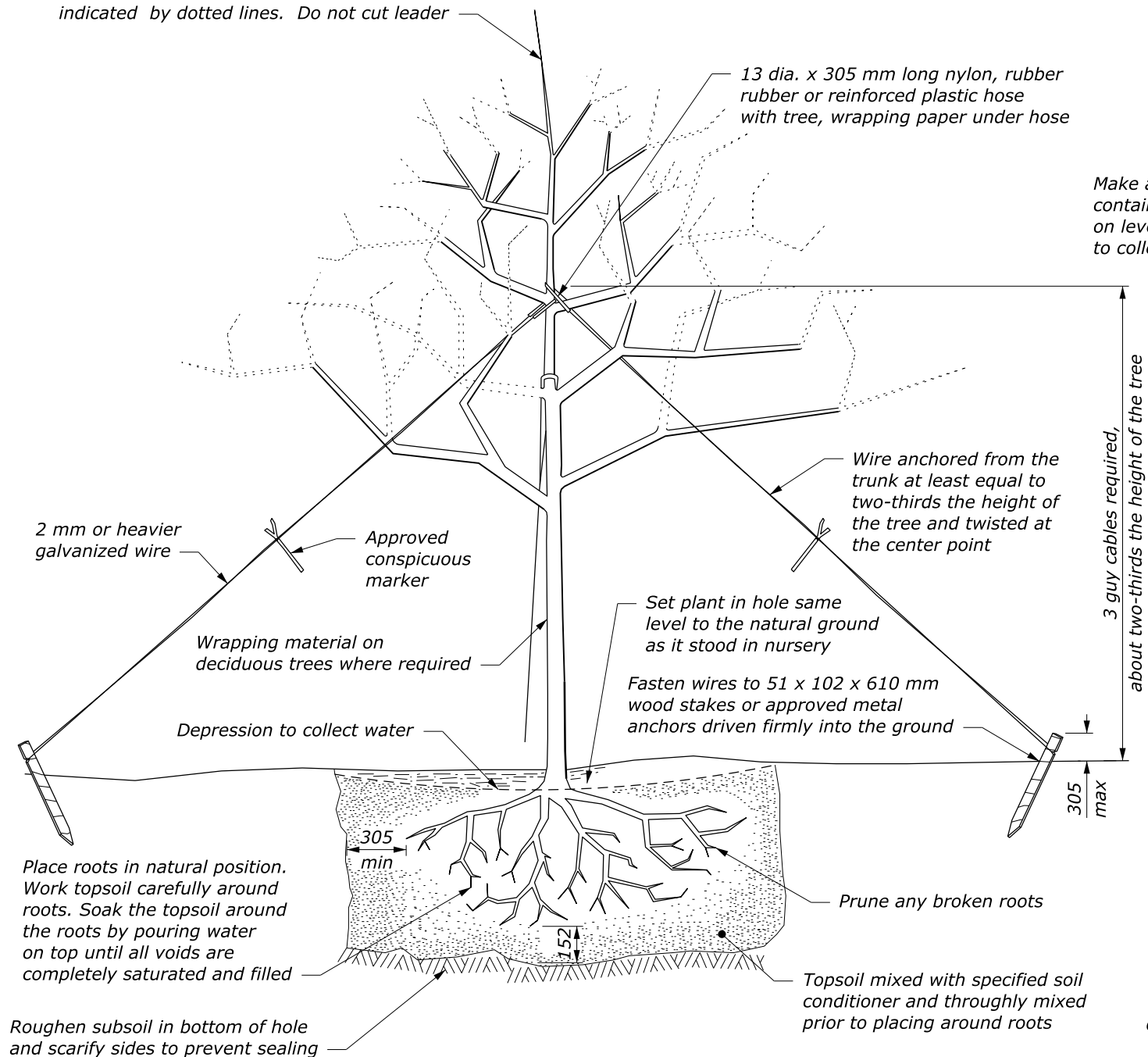


METHOD OF STAKING DECIDUOUS TREES UNDER 12'

NOTE:

1. Approved commercial plant ties may be used in lieu of hose and wire guying.
2. Provide construction grade, rough or dressed Douglas Fir or Pine stakes.

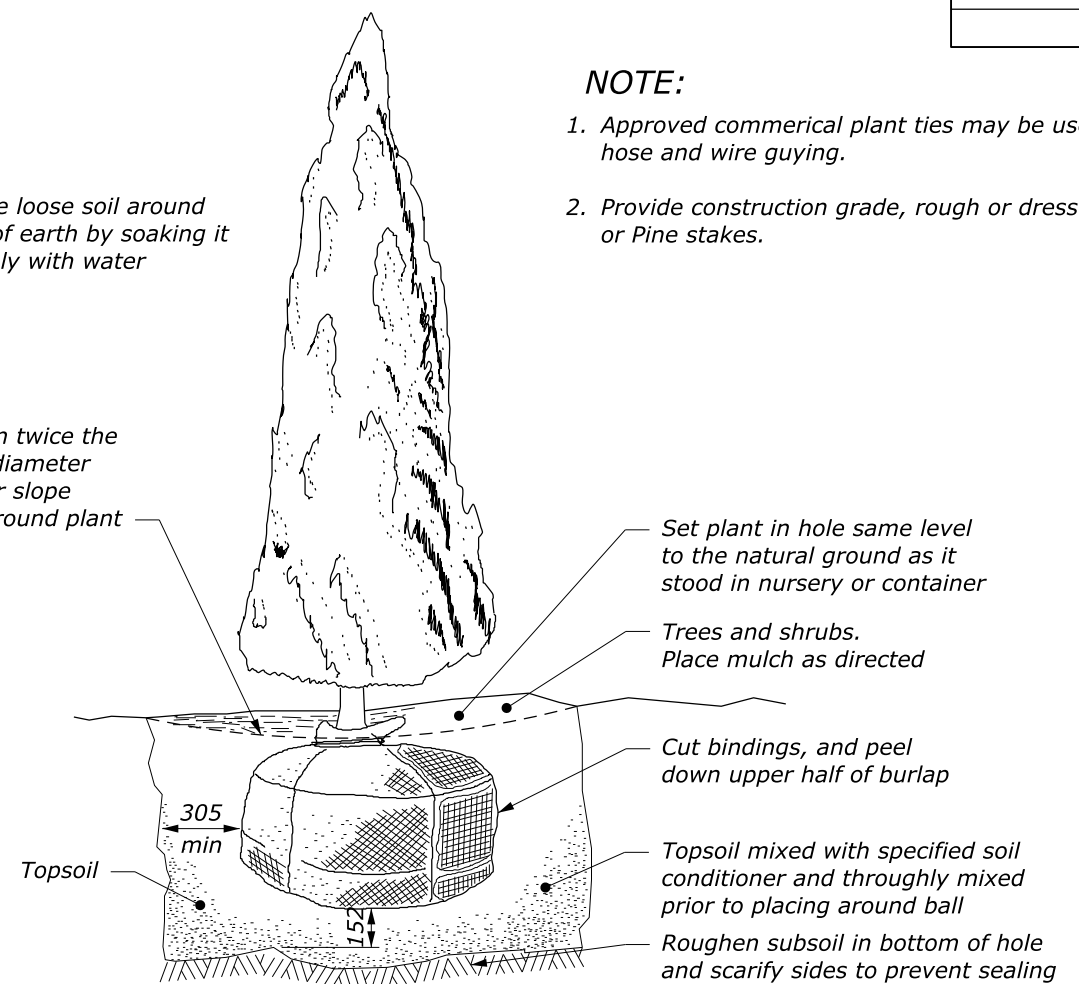
For bare root trees and shrubs, prune branches about $\frac{1}{3}$ for nursery stock and about $\frac{1}{2}$ for collected material as indicated by dotted lines. Do not cut leader



METHOD OF PLANTING BARE ROOT TREES AND SHRUBS AND METHOD OF GUYING DECIDUOUS TREES OVER 3.6 m and CONIFERS OVER 1.2 m

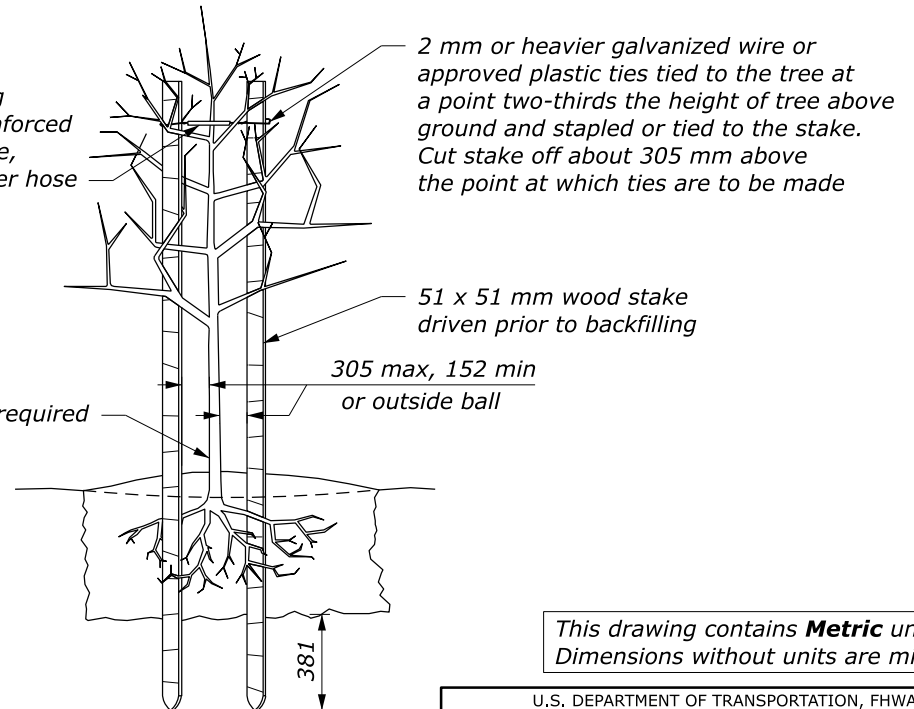
Settle the loose soil around the ball of earth by soaking it thoroughly with water

Make a depression twice the container or ball diameter on level ground or slope to collect water around plant



METHOD OF PLANTING CONTAINER OR BALLED AND BURLAPPED TREES AND SHRUBS

13 dia. 305 mm long nylon, rubber or reinforced plastic hose with tree, wrapping paper under hose



METHOD OF STAKING DECIDUOUS TREES UNDER 3.6 m

NOTE:

1. Approved commercial plant ties may be used in lieu of hose and wire guying.
2. Provide construction grade, rough or dressed Douglas Fir or Pine stakes.

This drawing contains **Metric** units of measure. Dimensions without units are millimeters.

U.S. DEPARTMENT OF TRANSPORTATION, FHWA OFFICE OF FEDERAL LANDS HIGHWAY	WFLHD DETAIL WM626-1
	SPECIFICATION FP-24, FP-14
	APPROVED FOR USE 12/2006

TREES AND SHRUBS PLANTING METHODS

NO SCALE

c:\pwwork\0111165\WM626-1.dgn [Det: WM626-1] 11 September 2024 9:04 AM