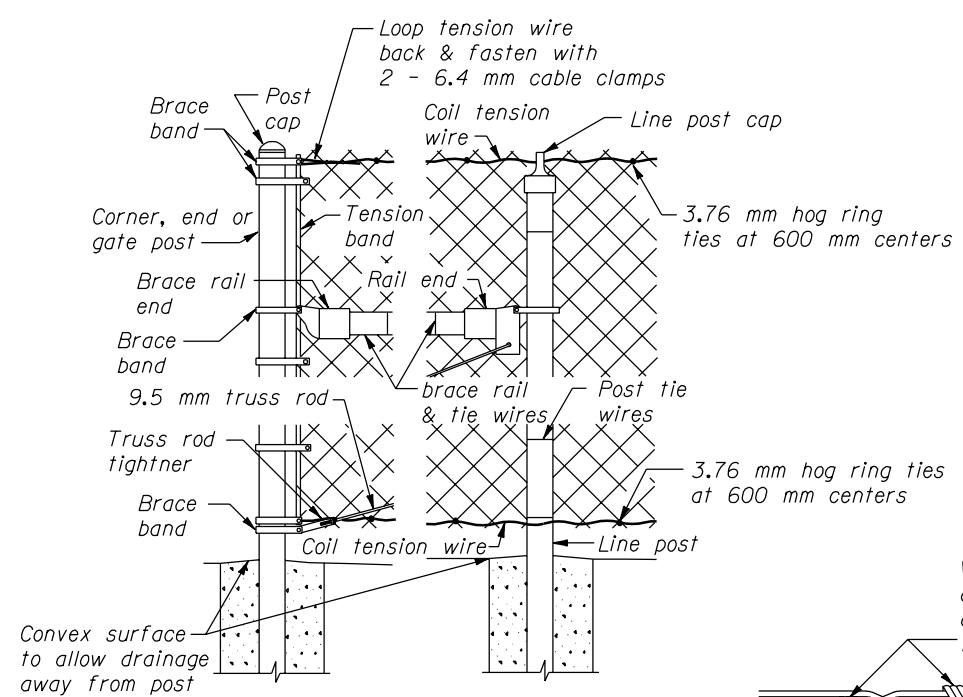


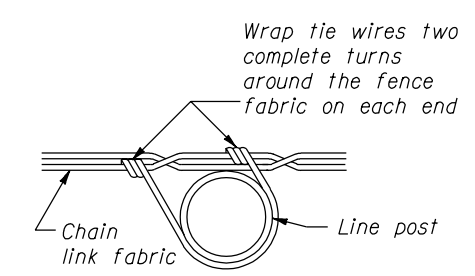
CHAIN LINK FENCE

- NOTE:**
- Dimensions not labeled are in millimeters.
 - Metal post and rails shall conform to ASTM F 669.
 - Use Type I requirements from the chain link fence table unless otherwise specified in the special contract requirements.
 - Set all posts in concrete. Set corner, end, pull posts to the dimensions shown. The minimum depth of concrete for line posts is 600 mm. Increase depth 75 mm for each additional 300 mm of fence height over 1200 mm.
 - Install braces on all terminals on fences without a top rail. No braces are required on fabric 1800 mm in height or less where a top rail is specified. Install braces where fabric is over 1800 mm in height. Where a top rail is used, attach the brace at the halfway point of the terminal post above grade and, where the rail is omitted, at the two-thirds point above grade. Do not install top rail unless so specified in the special contract requirements.
 - Adjust the post top elevations to provide a smooth visual fence profile. Install corner posts at horizontal breaks in the fence of 15° or more.
 - If alternate steel posts are used, provide fastening bands, caps, brace rail, rail ends, and truss rod attaching hardware compatible with the post sizes and styles selected.
 - Provide fence fabric with a 50 mm mesh. Use 3.05 mm wire in fabric heights of 1200 mm or less and 3.76 mm wire in fabric heights greater than 1200 mm. Provide a Class D coating when zinc-coated steel fence fabric is provided. Knuckle both selvages on fabric less than 1800 mm high. For fabric 1800 mm high or higher, knuckle one selvage and twist the other.
 - See Detail WM619-23 for hardware and gate requirements.

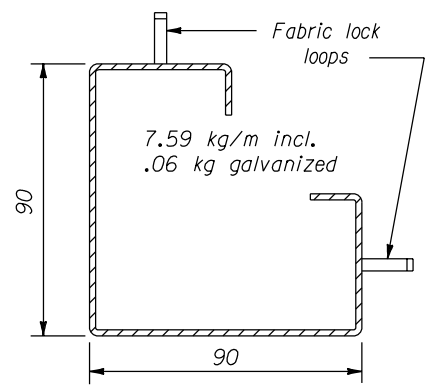


CHAIN LINK DETAIL

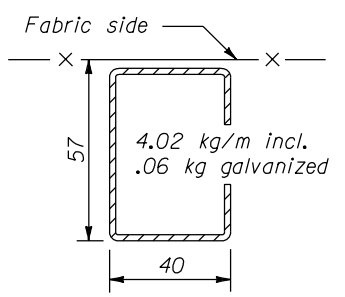
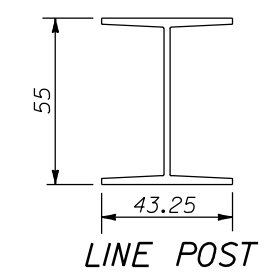
CHAIN LINK FENCE													
POST SIZE AND WEIGHT TABLE													
DESCRIPTION	FENCE TYPE	ROUND PIPE		HOT ROLLED H-SHAPE		ROLLED FORMED							
		Steel	Aluminum	Steel	Steel	Steel							
		Minimum yield strength Mpa.											
		172	172	345	310	310							
Size and mass													
		dia. mm	mass kg/m	dia. mm	mass kg/m	dia. mm	mass kg/m	dia. mm	mass kg/m	dia. mm	mass kg/m		
Brace rail & top rail	Type 1	4.22	3.38	4.22	1.17	4.22	2.08	---	---	32x40	2.08		
	Type 2	4.22	2.71	---	---	4.22	2.08	---	---	32x40	2.08		
Line post	Type 1	6.03	5.45	6.03	1.88	6.03	4.64	55x43.25	4.85	57x40	4.02		
	Type 2	6.03	4.40	---	---	6.03	3.44	---	---	28x40	3.36		
End, corner & pull post	Type 1	7.30	8.62	7.30	2.98	7.30	6.91	---	---	90x90	7.60		
	Type 2	7.30	6.98	---	---	7.30	4.84	---	---	90x90	7.60		



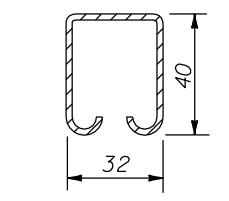
CHAIN LINK FENCE TIE DETAIL



END OR CORNER POST



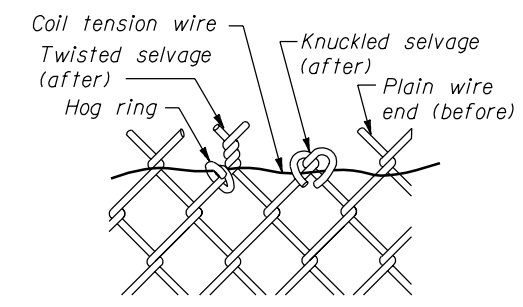
LINE POST



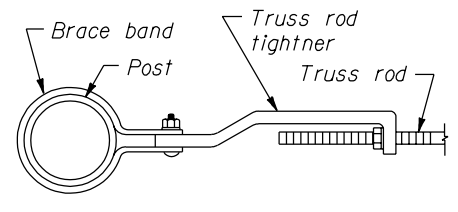
TOP & BRACE RAIL

ALTERNATE STEEL POST & BRACE SECTIONS

NO SCALE



WIRE SELVAGE DETAIL



TRUSS ROD TIGHTNER DETAIL

U.S. DEPARTMENT OF TRANSPORTATION
FEDERAL HIGHWAY ADMINISTRATION
WESTERN FEDERAL LANDS HIGHWAY DIVISION

METRIC DETAIL

CHAIN LINK FENCE

DETAIL APPROVED FOR USE 3/1996

REVISID: _____

DETAIL WM619-22