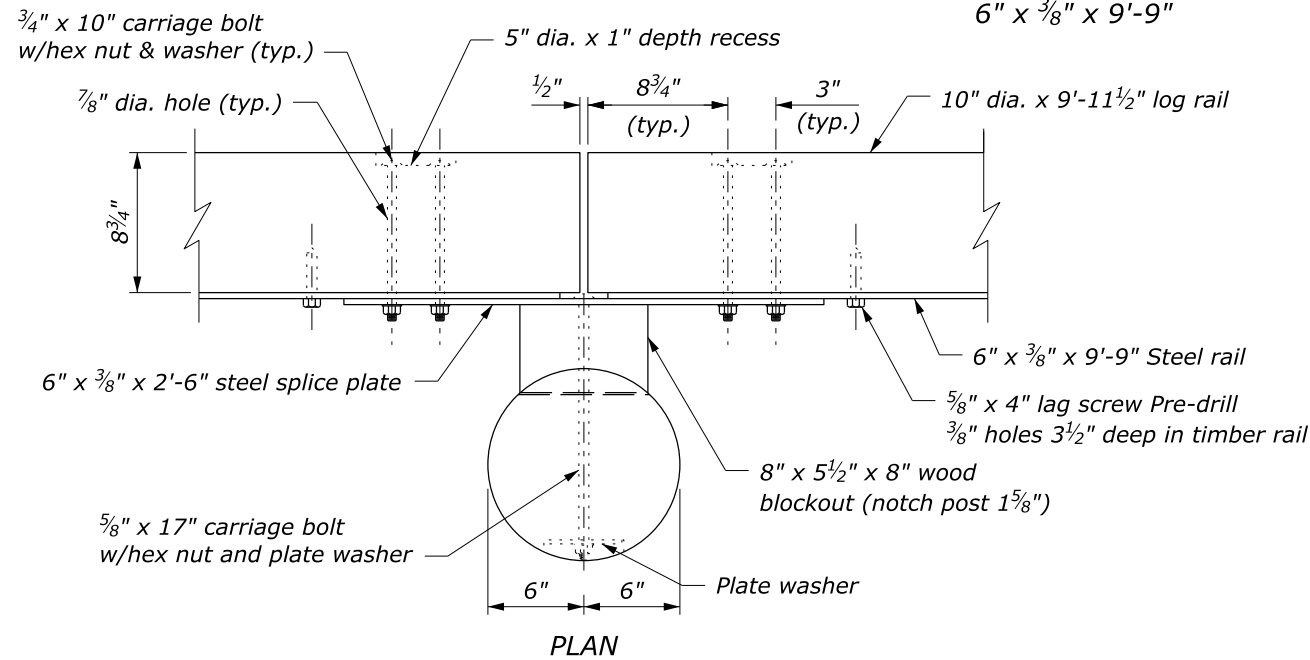


STEEL RAIL
6" x 3/8" x 9'-9"



PLAN

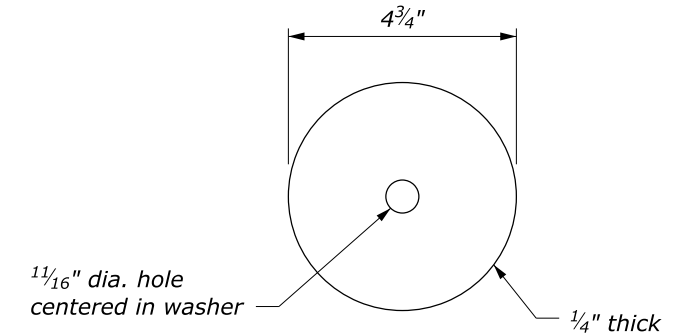
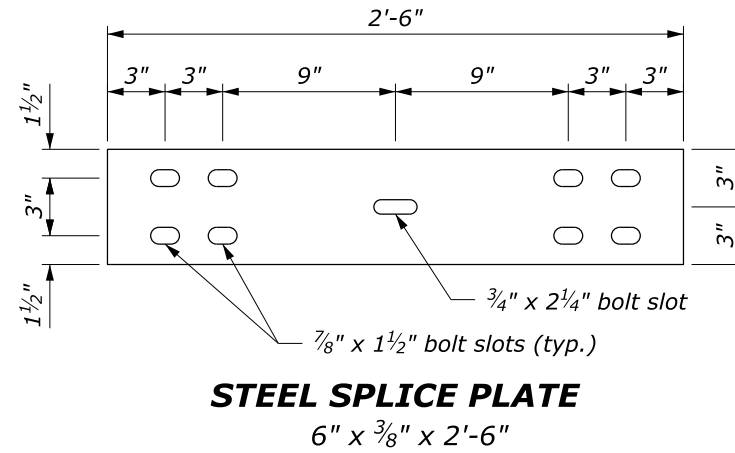
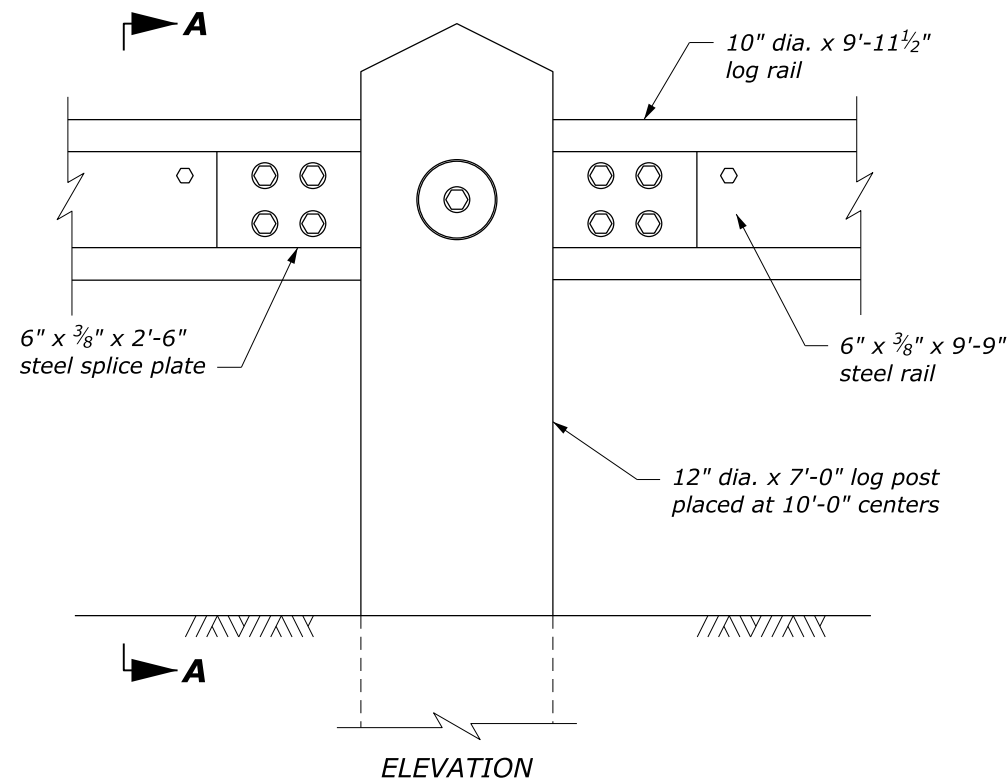
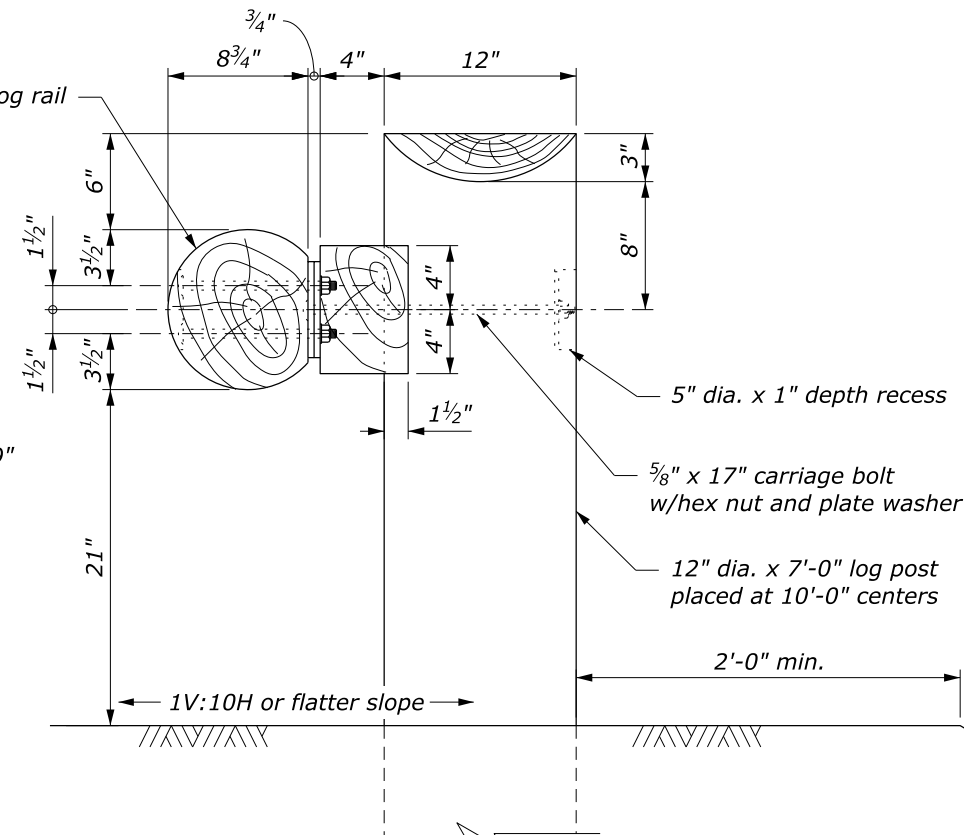


PLATE WASHER



ELEVATION



SECTION A-A

POST CONNECTION

NOTE:

1. See Standard 617-81 for details of the wood blockout, post notch, and general notes for Steel-Backed Log Guardrail.

NO SCALE

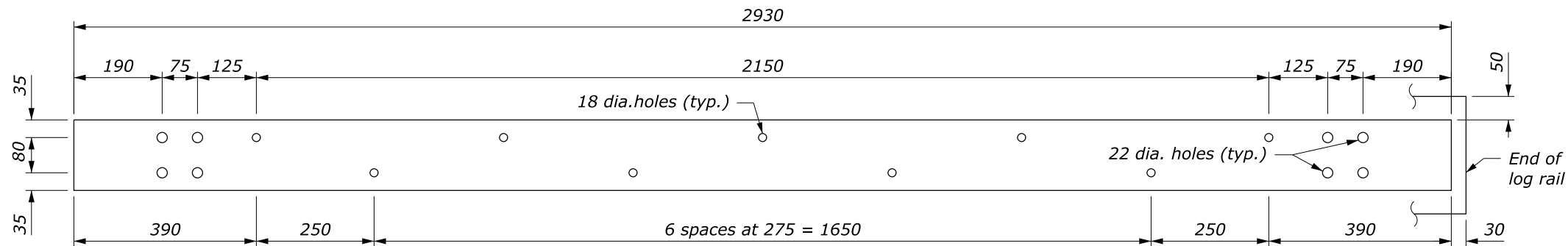
U.S. DEPARTMENT OF TRANSPORTATION, FHWA
OFFICE OF FEDERAL LANDS HIGHWAY

FLH STANDARD
617-80

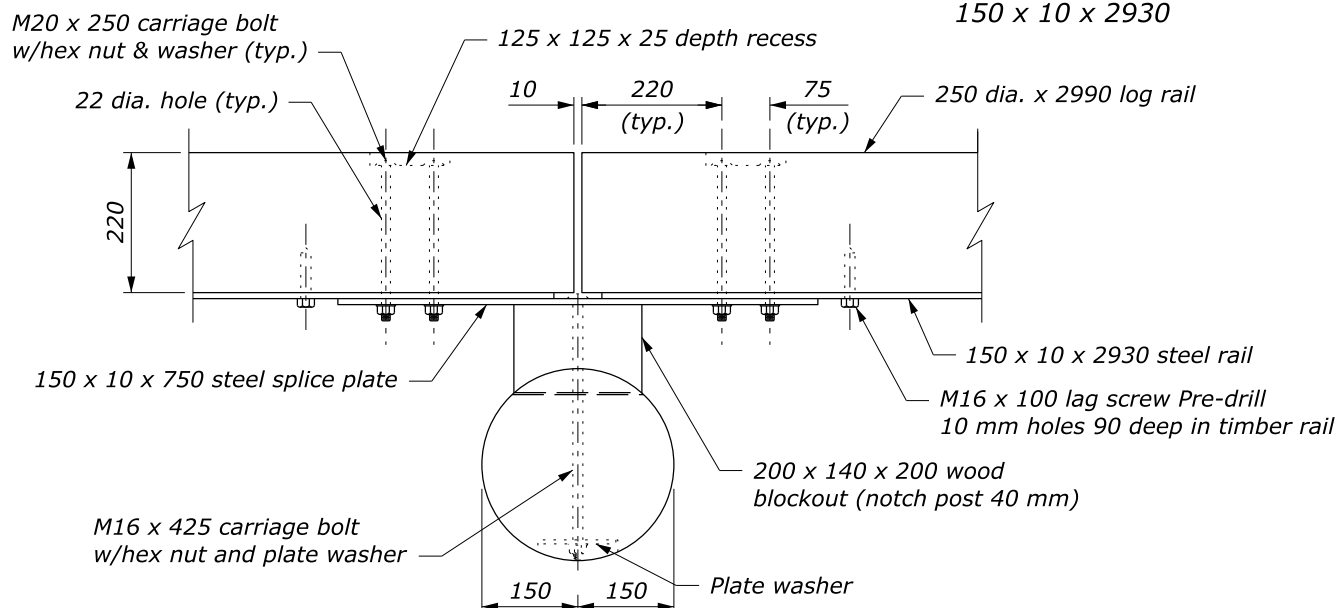
STEEL-BACKED LOG RAIL

SPECIFICATION
FP-24, FP-14

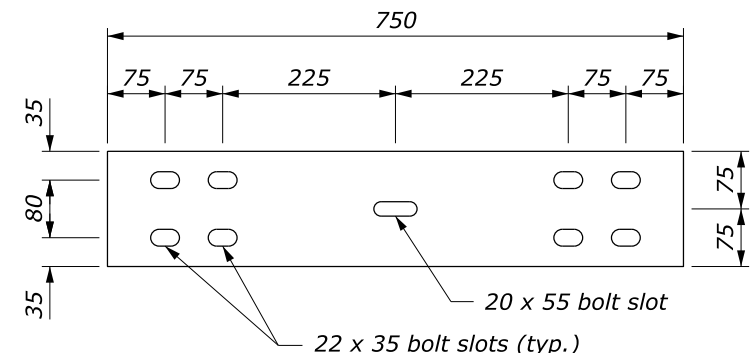
APPROVED FOR USE
1/2024



STEEL RAIL
150 x 10 x 2930



PLAN



STEEL SPLICE PLATE
150 x 10 x 750

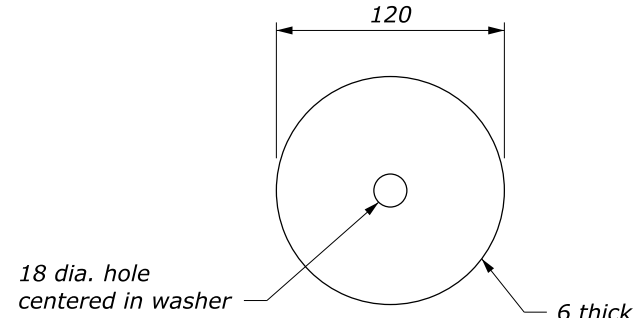
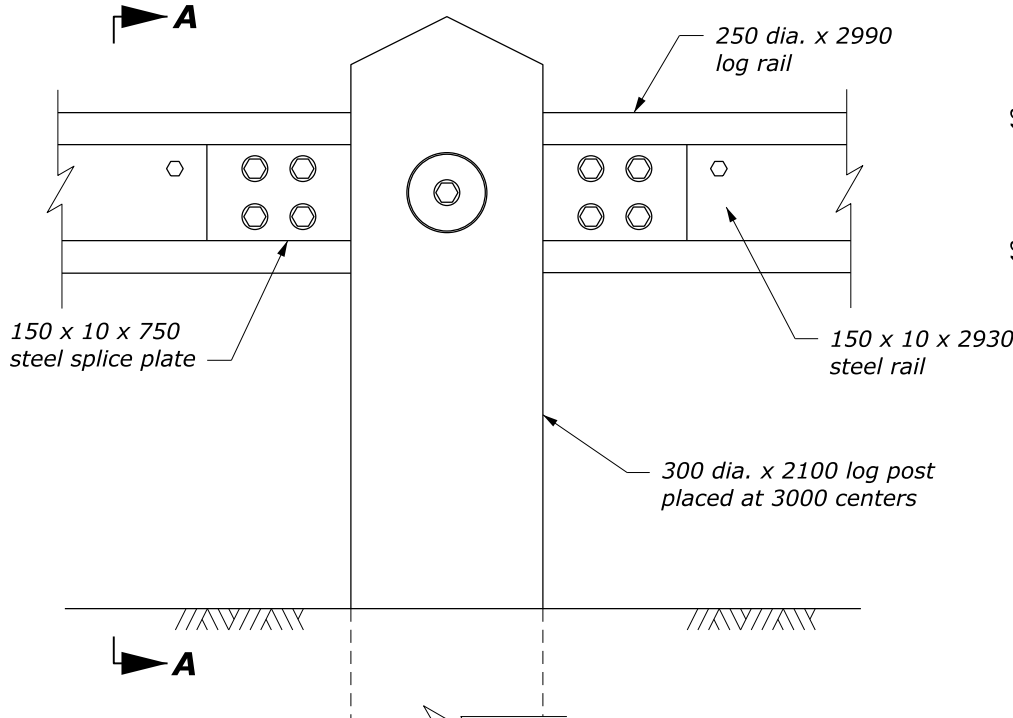
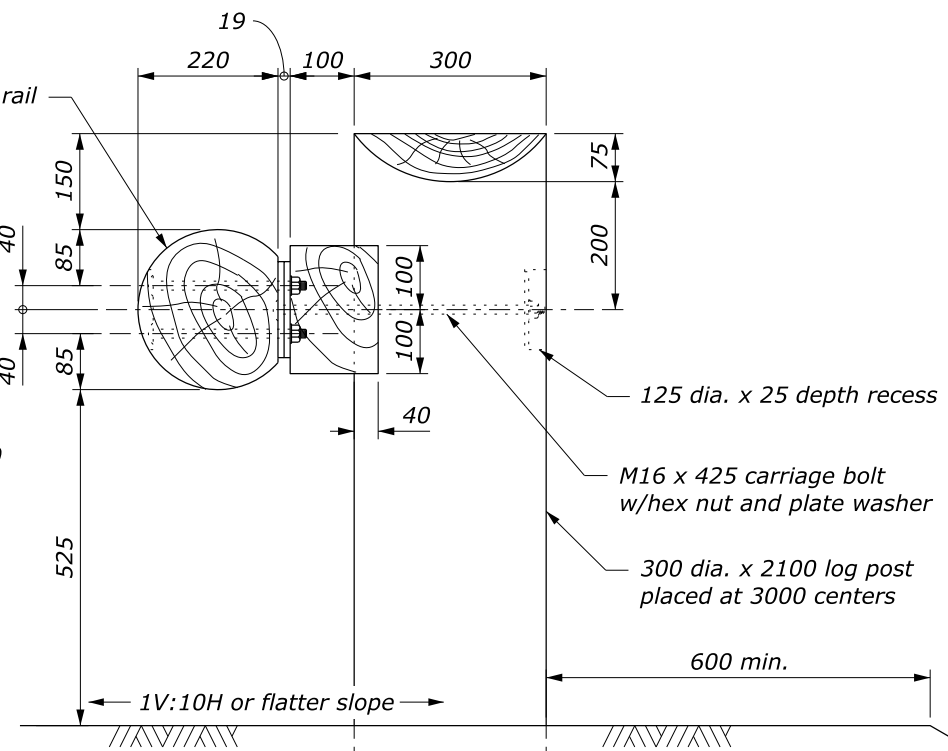


PLATE WASHER



ELEVATION



SECTION A-A

POST CONNECTION

This drawing contains **Metric** units of measure. Dimensions without units are millimeters.

U.S. DEPARTMENT OF TRANSPORTATION, FHWA OFFICE OF FEDERAL LANDS HIGHWAY	FLH STANDARD M617-80
STEEL-BACKED LOG RAIL	SPECIFICATION FP-24, FP-14
	APPROVED FOR USE 1/2024

NO SCALE

c:\pwwork\0419223\Std617-80.dgn [Std M617-80] 21 June 2024 12:01 PM