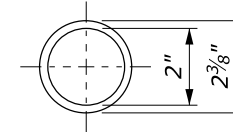
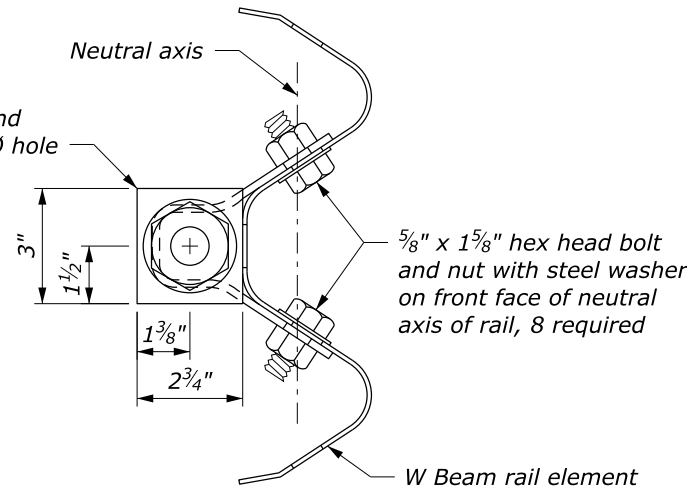
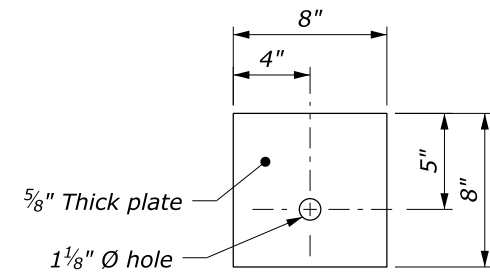


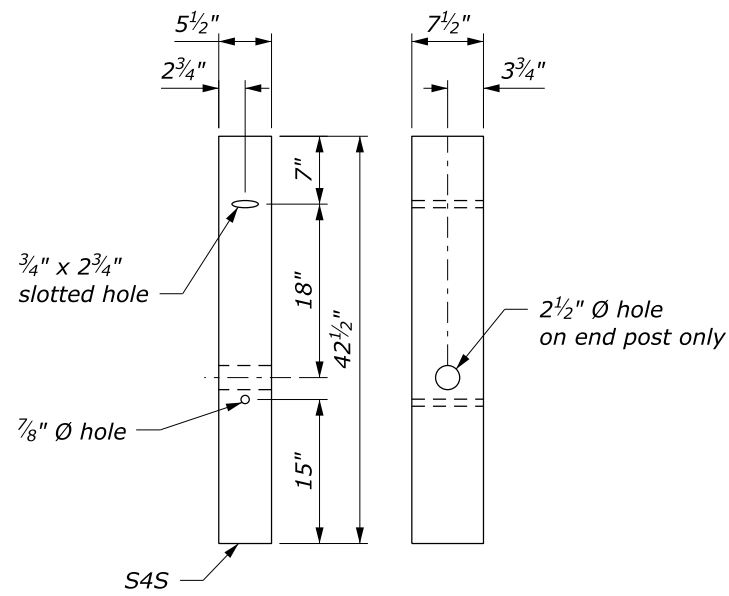
CABLE ANCHOR PLATE DETAILS



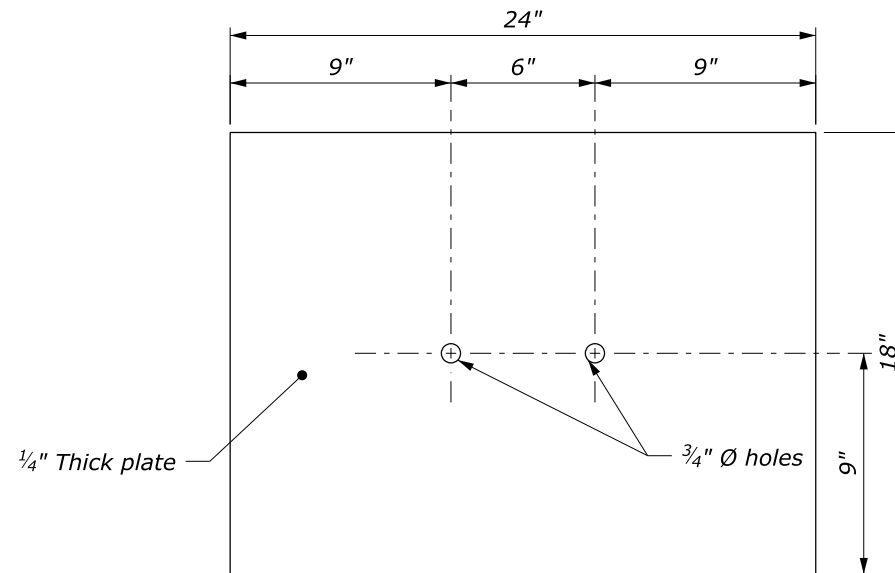
POST SLEEVE



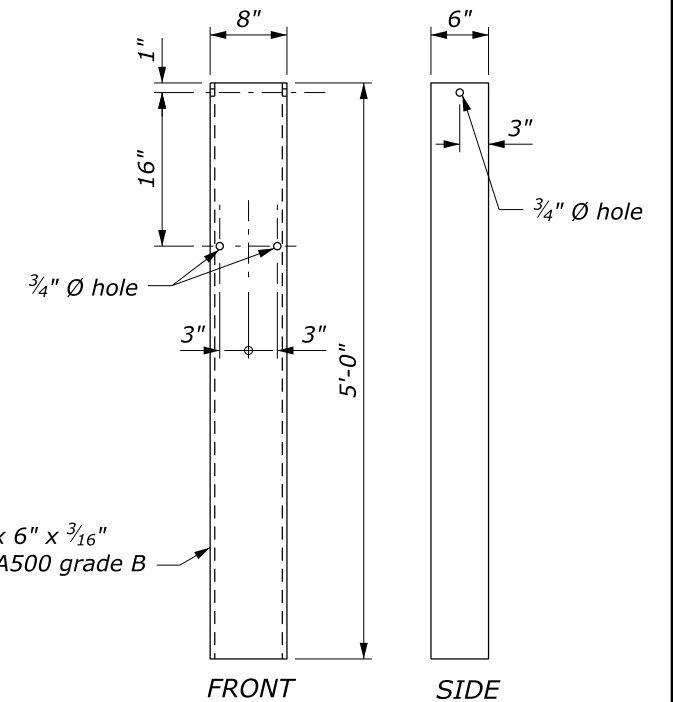
BEARING PLATE



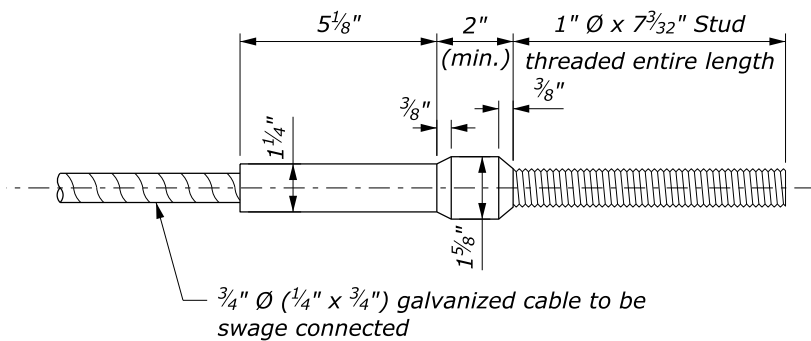
TERMINAL POST



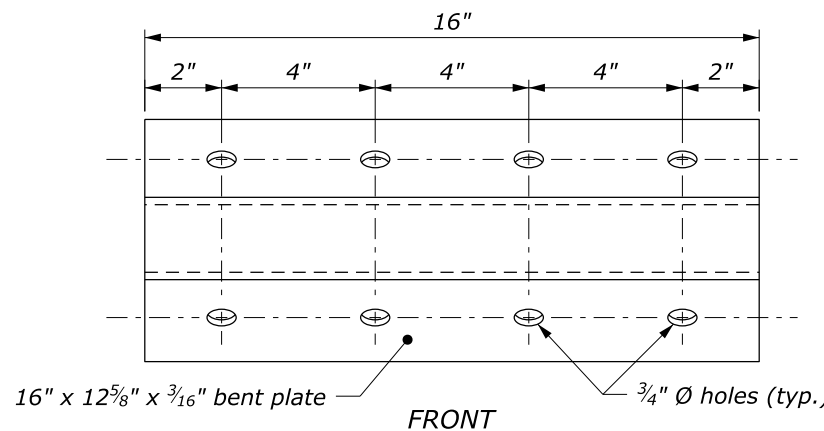
**SOIL PLATE
(2 REQUIRED)**



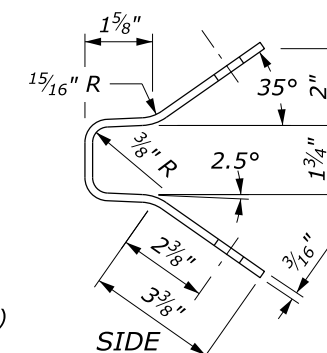
STEEL TUBE ANCHOR



**CABLE ANCHOR ASSEMBLY
(Standard swaged fitting and stud)**



GUARDRAIL ANCHOR BRACKET



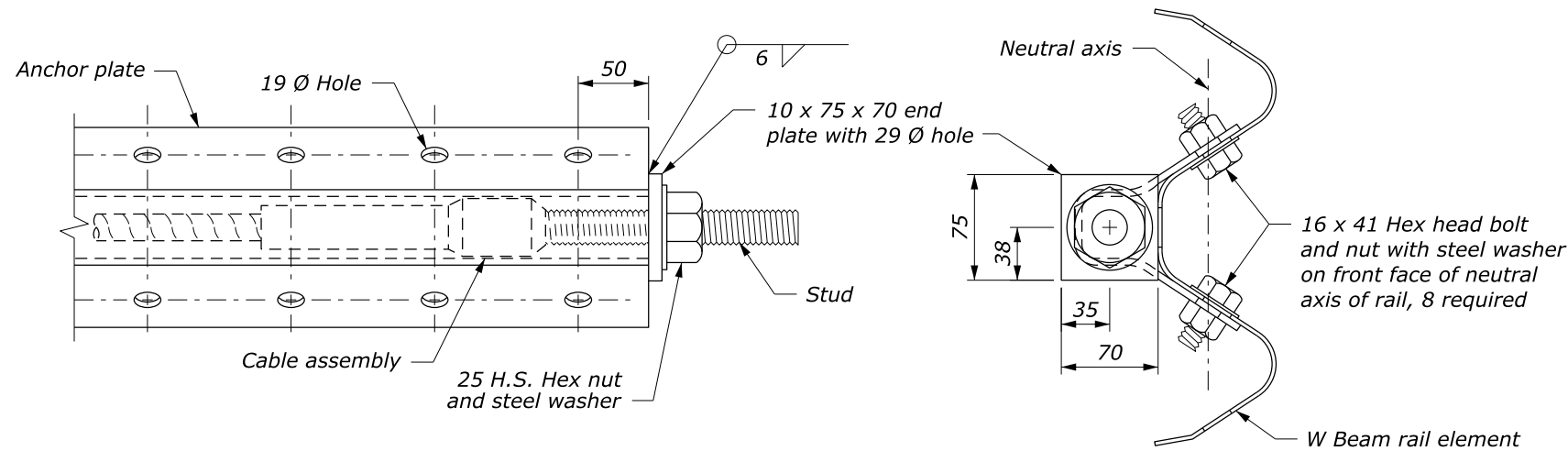
NO SCALE

NOTE:

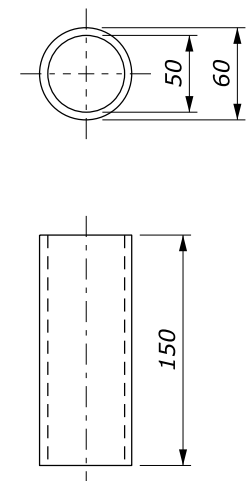
1. Dimensional tolerances not shown or implied are intended to be those consistent with the proper functioning of the part, including its appearance, and accepted manufacturing practices.

c:\pwwork\00419223\Std617-23.dgn [Std 617-23] 11 July 2024 9:59 AM

| | |
|--|-------------------------------|
| U.S. DEPARTMENT OF TRANSPORTATION, FHWA OFFICE OF FEDERAL LANDS HIGHWAY | FLH STANDARD 617-23 |
| G4 W-BEAM GUARDRAIL CRT ANCHORAGE ASSEMBLY DETAILS | SPECIFICATION FP-24, FP-14 |
| | APPROVED FOR USE 1/2024 |

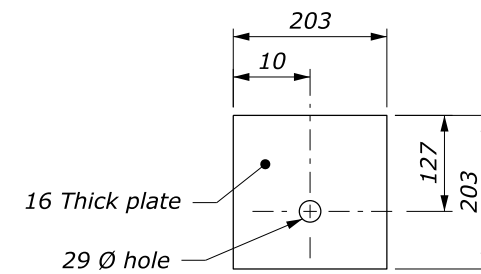


CABLE ANCHOR PLATE DETAILS

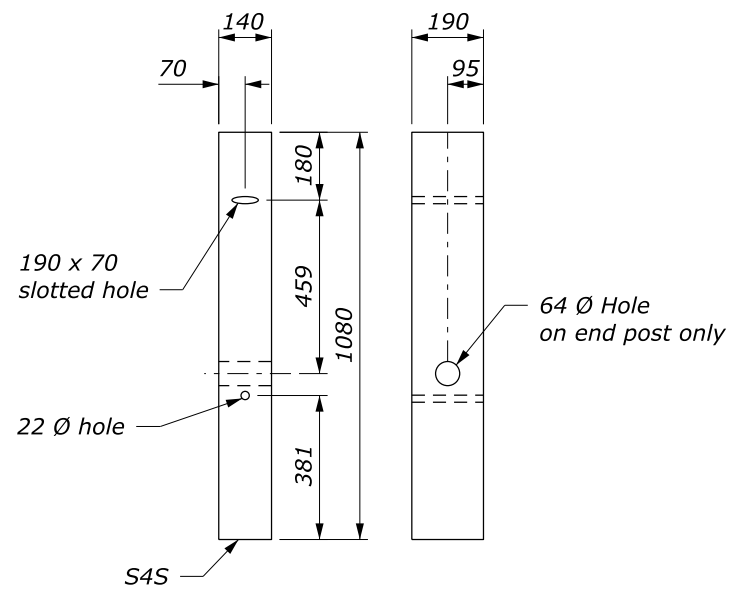


POST SLEEVE

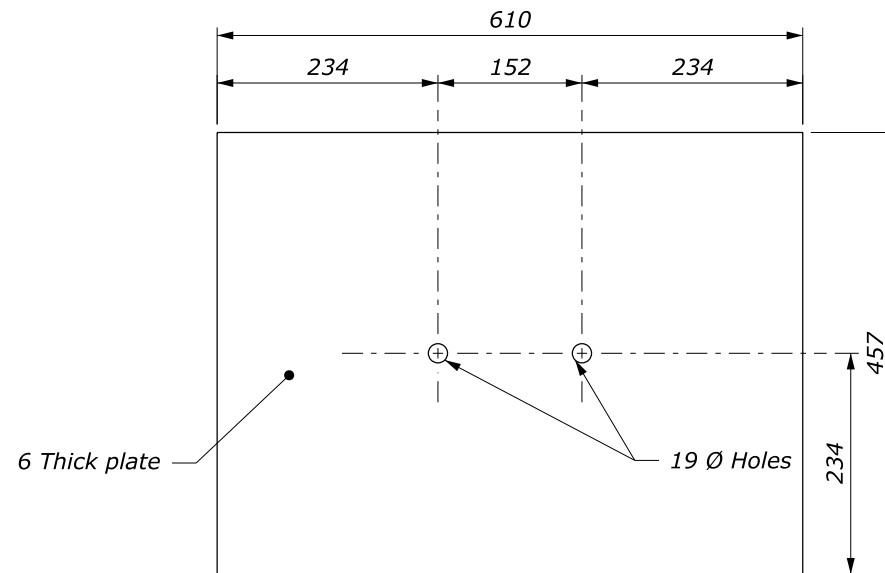
NOTE:
1. Dimensional tolerances not shown or implied are intended to be those consistent with the proper functioning of the part, including its appearance, and accepted manufacturing practices.



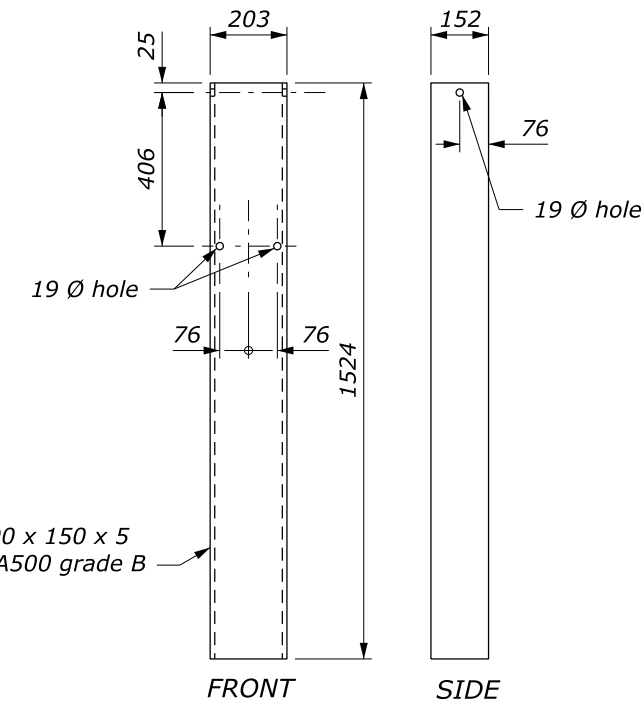
BEARING PLATE



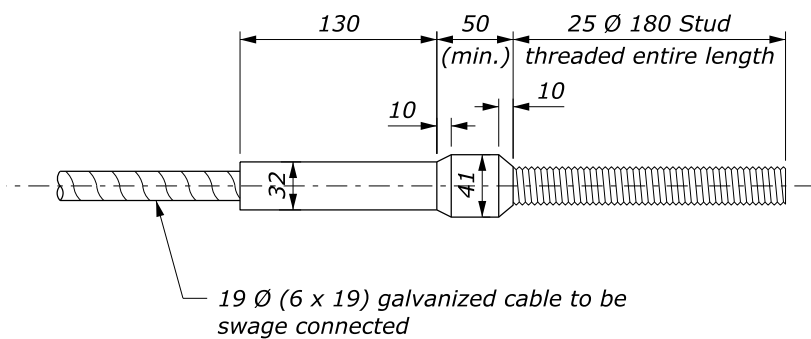
TERMINAL POST



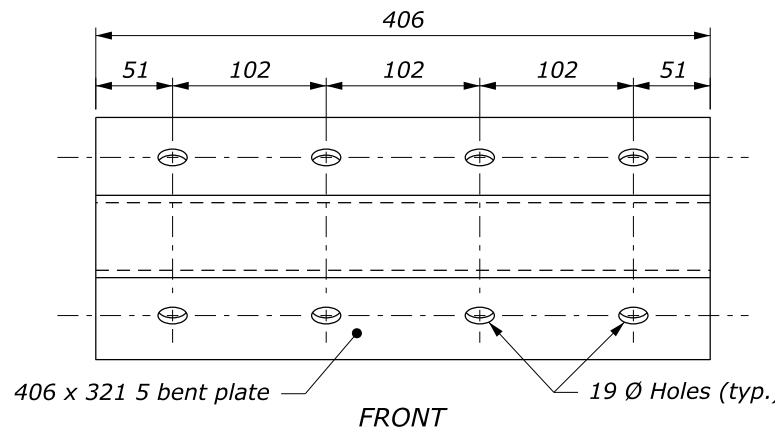
**SOIL PLATE
(2 REQUIRED)**



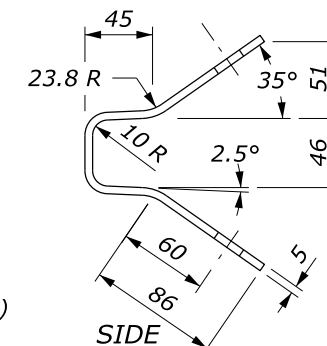
STEEL TUBE ANCHOR



**CABLE ANCHOR ASSEMBLY
(Standard swaged fitting and stud)**



GUARDRAIL ANCHOR BRACKET



NO SCALE

This drawing contains **Metric** units of measure. Dimensions without units are millimeters.

| | |
|--|-------------------------------|
| U.S. DEPARTMENT OF TRANSPORTATION, FHWA OFFICE OF FEDERAL LANDS HIGHWAY | FLH STANDARD M617-23 |
| G4 W-BEAM GUARDRAIL CRT ANCHORAGE ASSEMBLY DETAILS | SPECIFICATION FP-24, FP-14 |
| | APPROVED FOR USE 1/2024 |

c:\pwwork\0419223\Std617-23.dgn [Std M617-23]
1.1 July 2024 9:27 AM