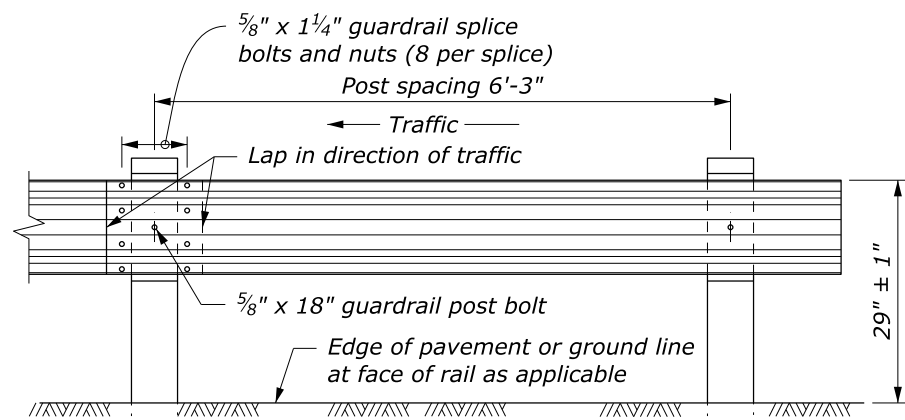
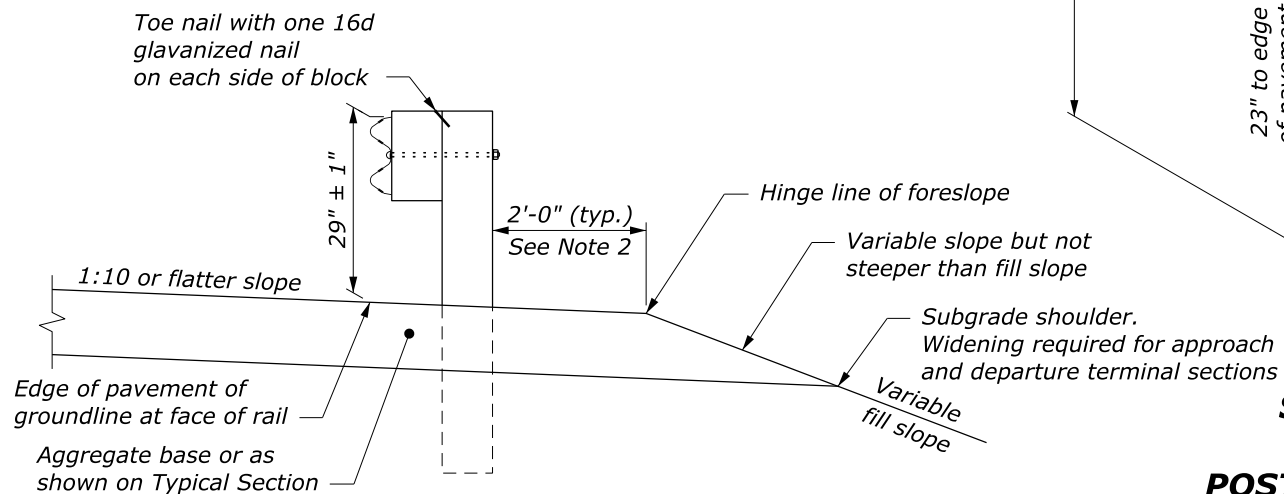


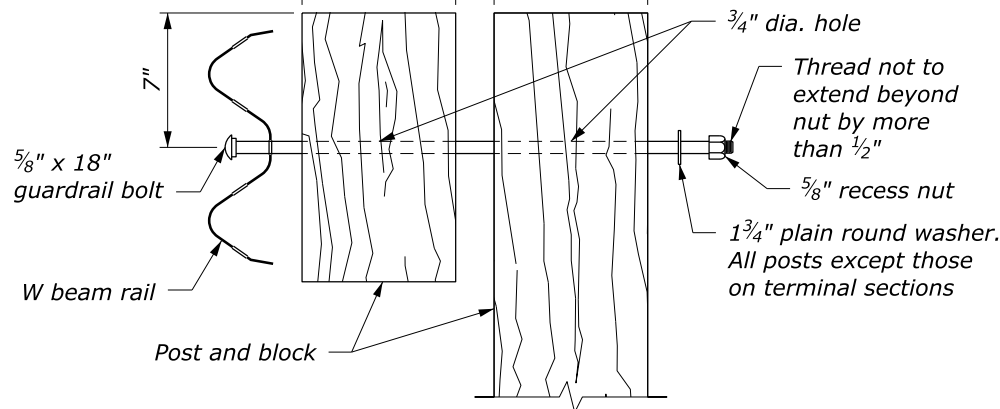
**W BEAM RAIL**



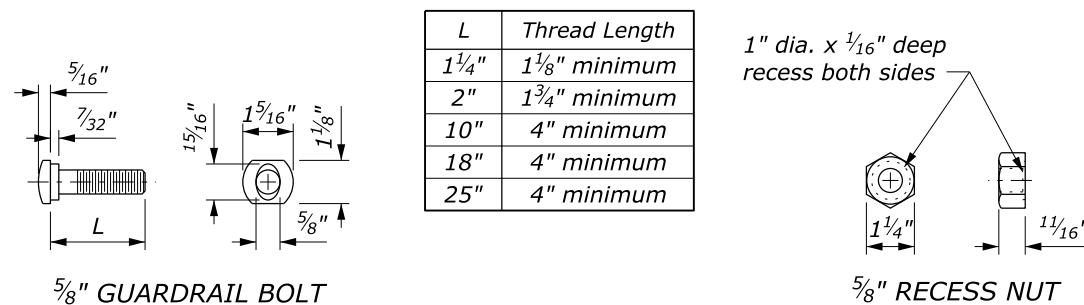
**POST SPACING STANDARD POST SECTION**



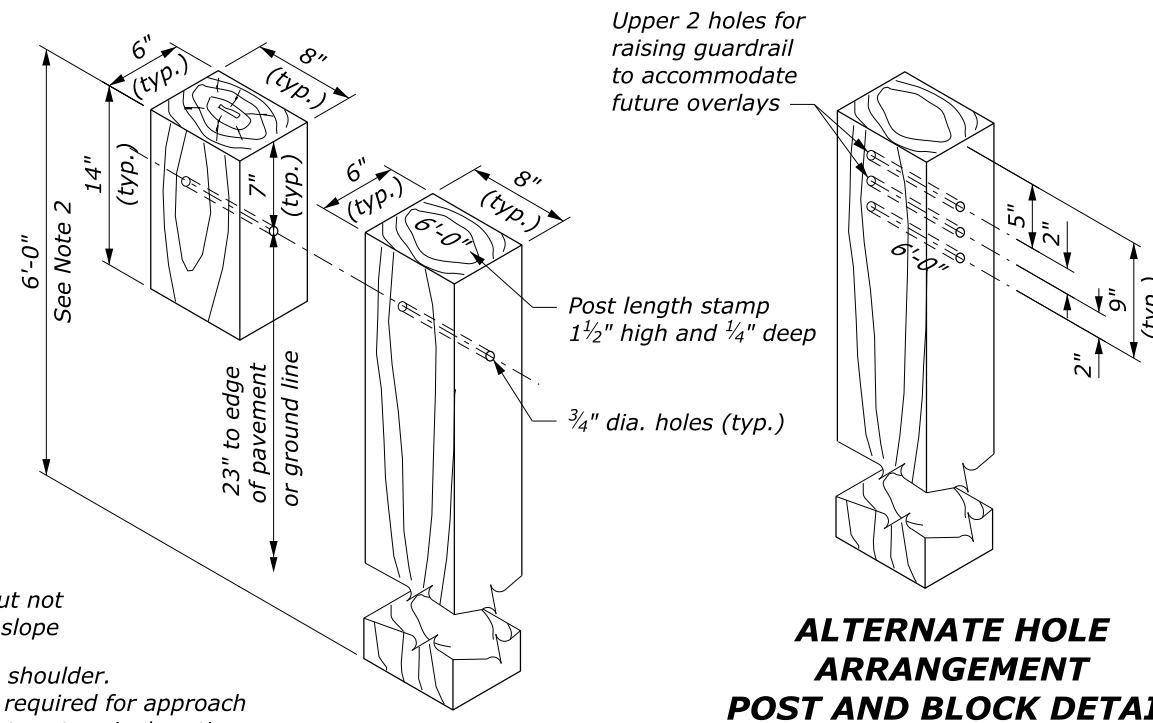
**TYPICAL GUARDRAIL CROSS SECTION**



**POST BOLT ASSEMBLY**

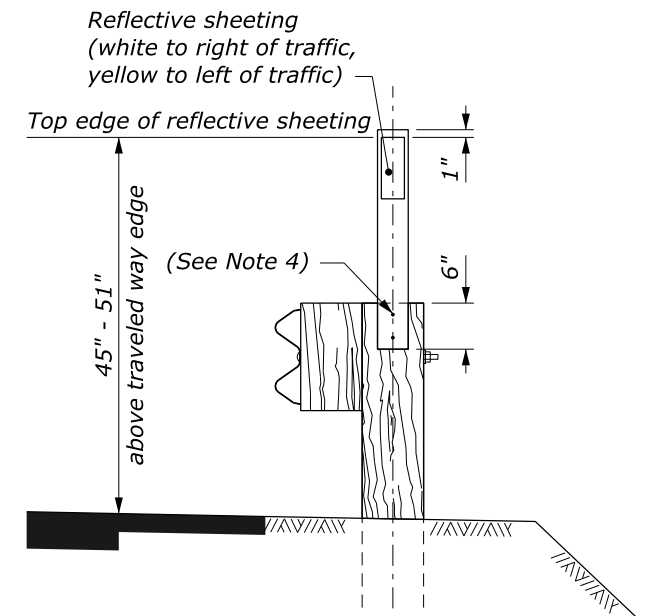


**GUARDRAIL BOLT AND RECESS NUT**



**STANDARD HOLE ARRANGEMENT POST AND BLOCK DETAIL**

**ALTERNATE HOLE ARRANGEMENT POST AND BLOCK DETAIL**



**FLEXIBLE GUIDE POST GUARDRAIL MOUNT**

**NOTE:**

1. When encountering impenetrable material, see Standard 617-13.
2. See Special Contract Requirements when 7 foot or longer posts are specified.
3. See Special Contract Requirements when the alternate hole arrangement is specified.
4. Install delineator every fourth post. Fasten delineator to post using two 2" x 3/8" lag screws with washers, along centerline of post; or fasten as specified by the manufacturer. Alternate delineator types may be used if approved.
5. Dimensional tolerances not shown or implied are intended to be those consistent with the proper functioning of the part, including its appearance, and accepted manufacturing practices.

NO SCALE

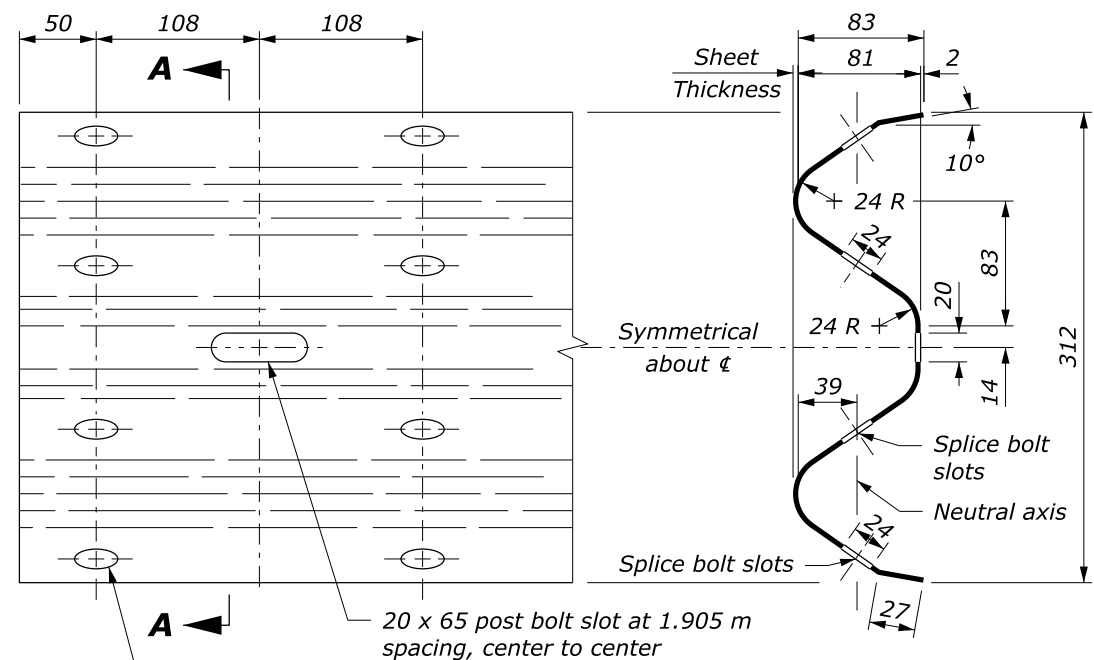
U.S. DEPARTMENT OF TRANSPORTATION, FHWA  
 OFFICE OF FEDERAL LANDS HIGHWAY

**G4 W-BEAM GUARDRAIL WOOD POSTS**

FLH STANDARD 617-10

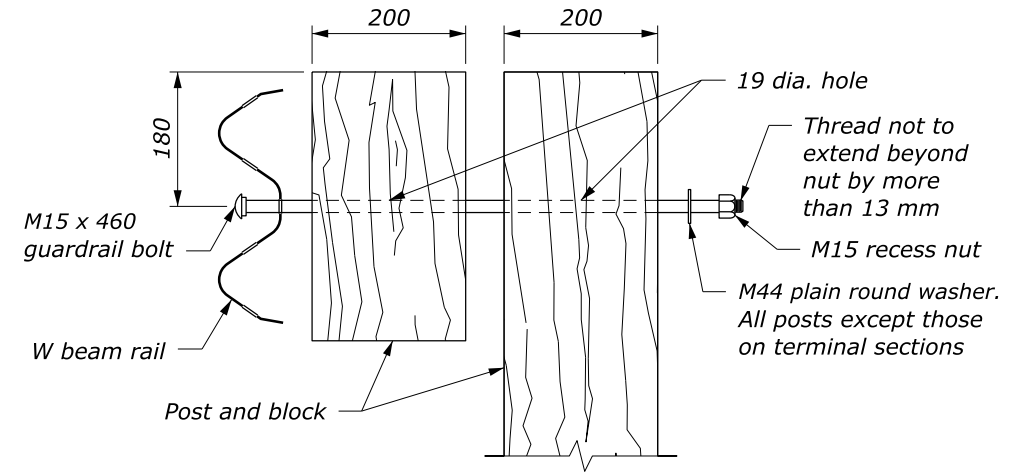
SPECIFICATION FP-14

APPROVED FOR USE 1/2024



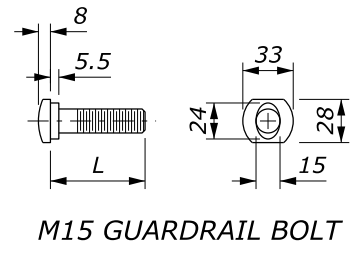
20 x 65 post bolt slot at 1.905 m spacing, center to center  
 24 x 30 splice bolt slot. 8 required, each end of rail

**W BEAM RAIL**

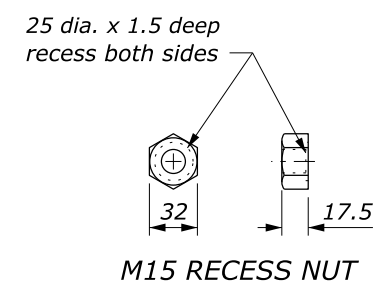


**POST BOLT ASSEMBLY**

L	Thread Length
32	30 minimum
50	45 minimum
255	100 minimum
460	100 minimum
640	100 minimum



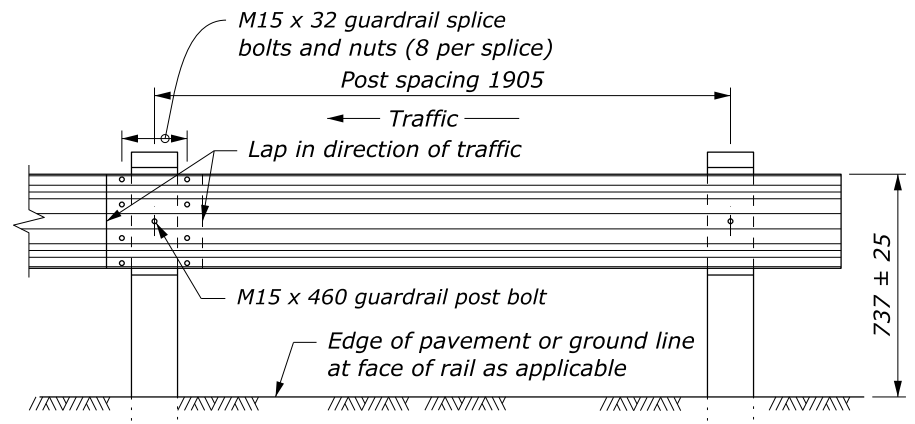
M15 GUARDRAIL BOLT



M15 RECESS NUT

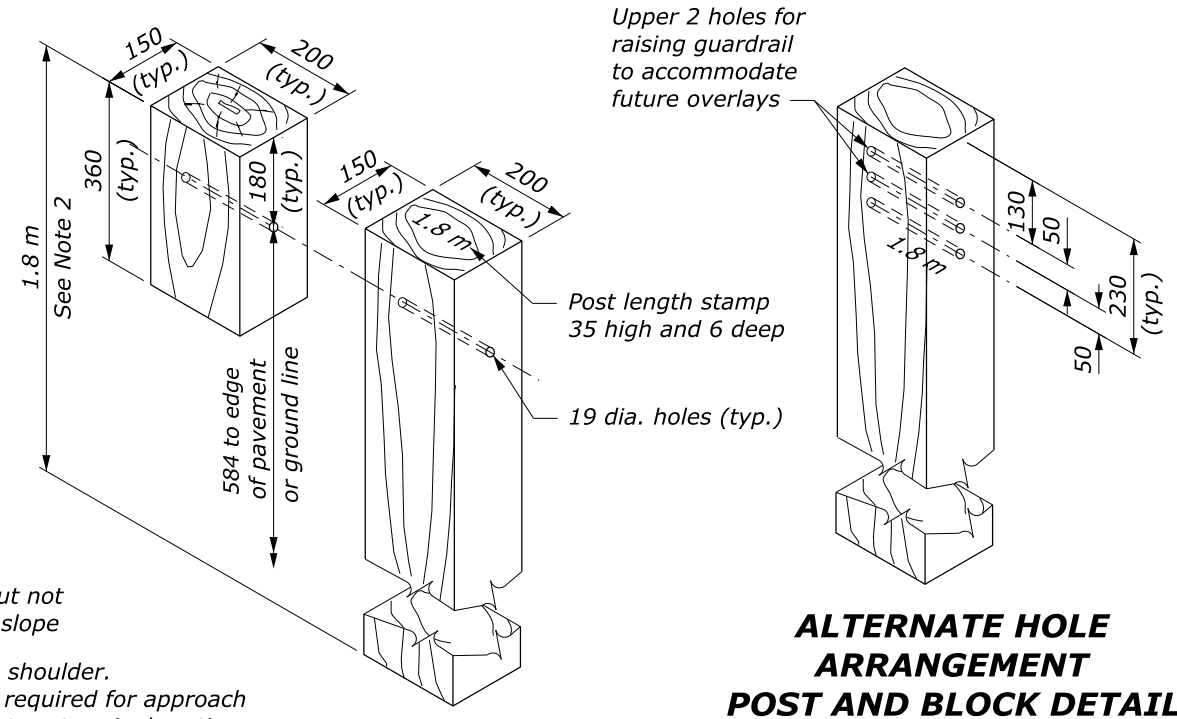
**NOTE:**

- When encountering impenetrable material, see Standard M617-13.
- See Special Contract Requirements when 2 m or longer posts are specified.
- See Special Contract Requirements when the alternate hole arrangement is specified.
- Install delineator every fourth post. Fasten delineator to post using two 50 mm x 10 mm lag screws with washers, along centerline of post; or fasten as specified by the manufacturer. Alternate delineator types may be used if approved.
- Dimensional tolerances not shown or implied are intended to be those consistent with the proper functioning of the part, including its appearance, and accepted manufacturing practices.
- Furnish hardware in the metric sizes shown. Equivalent US Customary sizes may be used when metric sizes are unavailable.

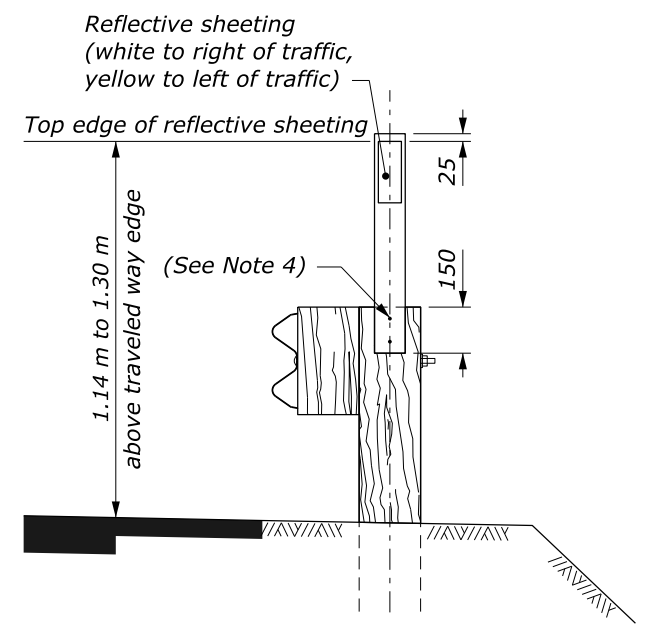


**POST SPACING STANDARD POST SECTION**

**GUARDRAIL BOLT AND RECESS NUT**

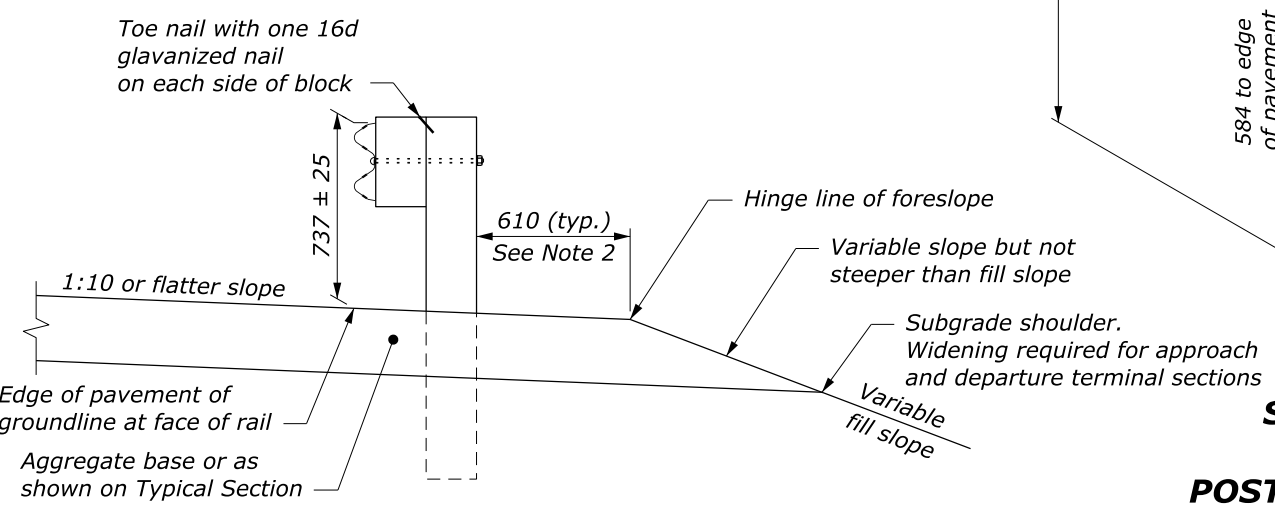


**STANDARD HOLE ARRANGEMENT POST AND BLOCK DETAIL**



**FLEXIBLE GUIDE POST GUARDRAIL MOUNT**

This drawing contains **Metric** units of measure. Dimensions without units are millimeters.



**TYPICAL GUARDRAIL CROSS SECTION**

**ALTERNATE HOLE ARRANGEMENT POST AND BLOCK DETAIL**

NO SCALE

U.S. DEPARTMENT OF TRANSPORTATION, FHWA OFFICE OF FEDERAL LANDS HIGHWAY	FLH STANDARD M617-10
<b>G4 W-BEAM GUARDRAIL WOOD POSTS</b>	SPECIFICATION FP-14
	APPROVED FOR USE 1/2024

15 July 2024 2:54 PM c:\pwwork\0419223\Std617-10fp14.dgn [Std M617-10]