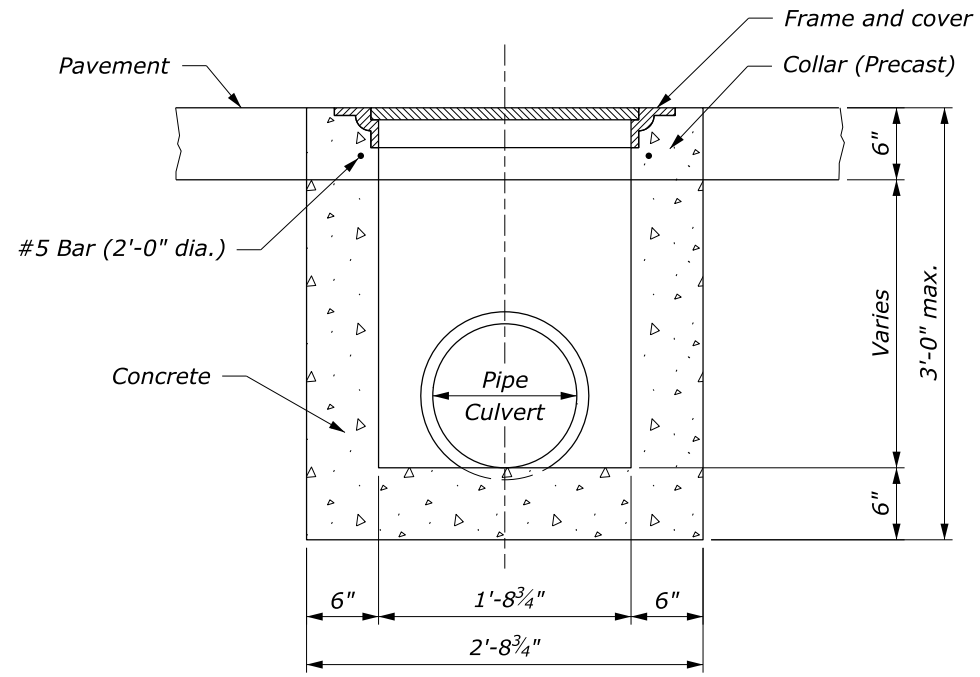
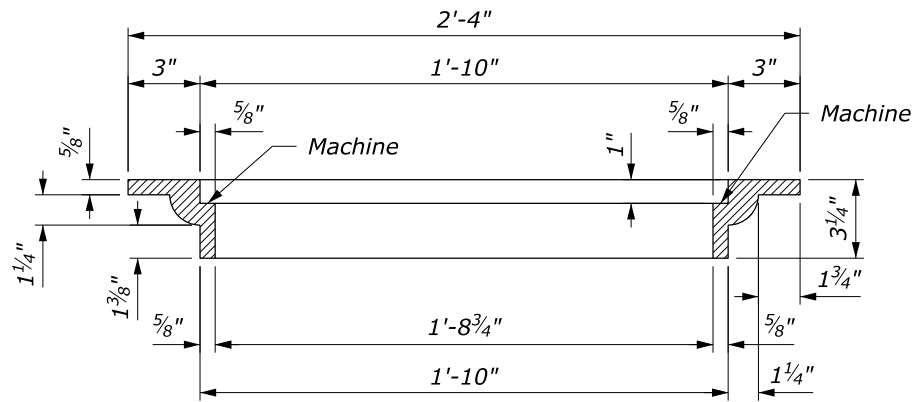


**NOTE:**

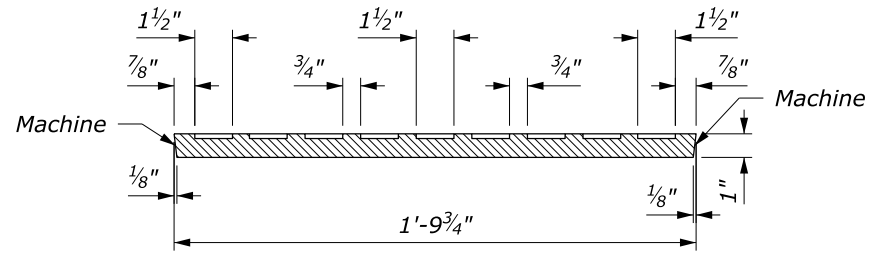
1. Frame and cover dimensions may vary slightly to allow manufacturer's standards.
2. MASS: (Approximate, cast iron)  
 Frame - 86 ± 4 lb.  
 Cover - 83 ± 4 lb.
3. All reinforcing bars are #5 placed a minimum 1½-inch clear from face of concrete. In floors, place bars on 6-inch centers each way. In walls, place horizontal bars on 6-inch centers and vertical bars on 12-inch centers.



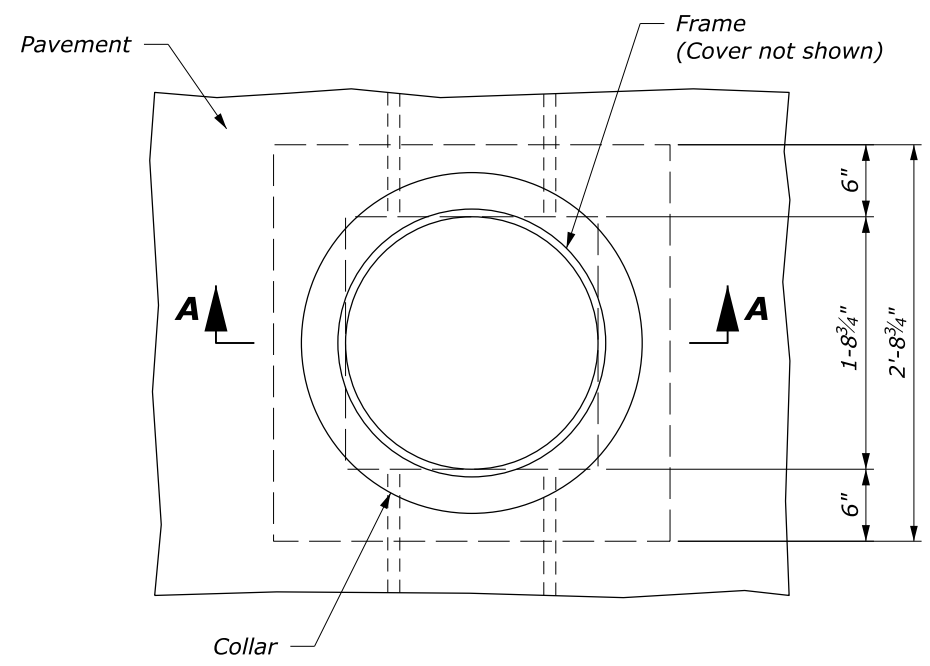
SECTION A-A



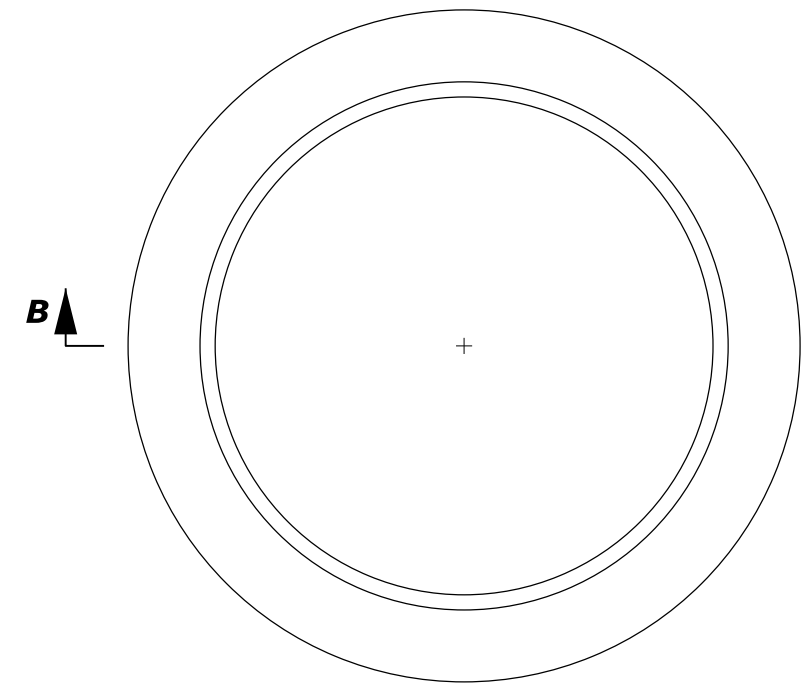
SECTION B-B



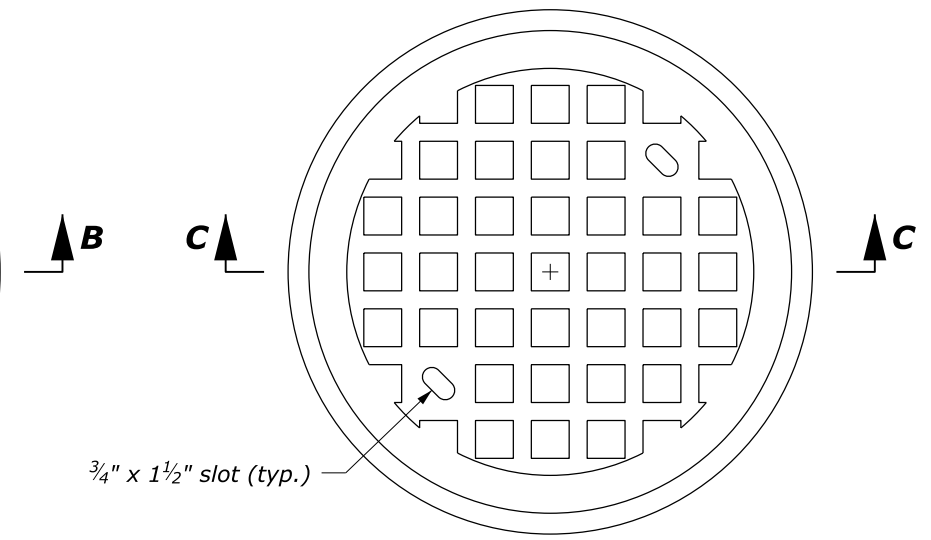
SECTION C-C



PLAN



FRAME



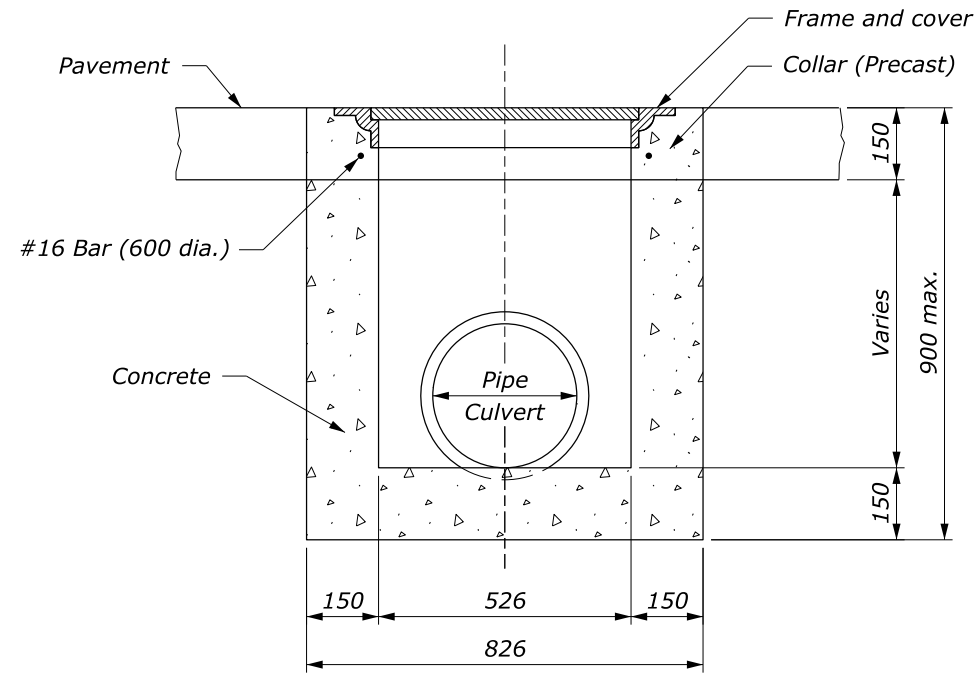
COVER

NO SCALE

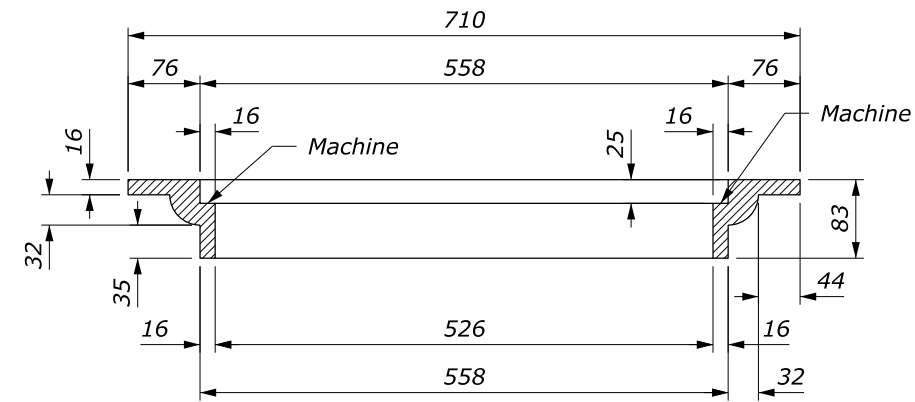
U.S. DEPARTMENT OF TRANSPORTATION, FHWA OFFICE OF FEDERAL LANDS HIGHWAY	FLH STANDARD 604-9
<b>MANHOLE</b>	SPECIFICATION FP-24, FP-14
	APPROVED FOR USE 1/2024

**NOTE:**

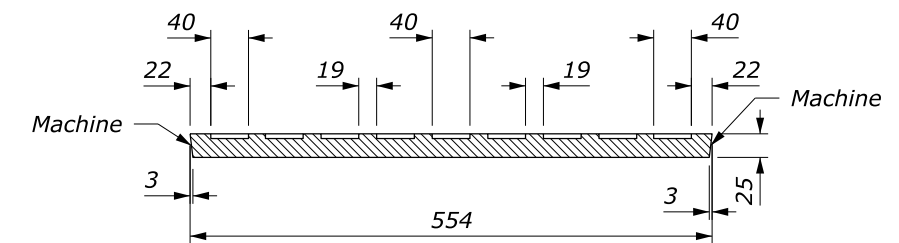
1. Frame and cover dimensions may vary slightly to allow manufacturer's standards.
2. MASS: (Approximate, cast iron)  
 Frame -  $39 \pm 2$  kg  
 Cover -  $38 \pm 2$  kg
3. All reinforcing bars are #16 placed a minimum 40 mm clear from face of concrete. In floors, place bars on 150 mm centers each way. In walls, place horizontal bars on 150 mm centers and vertical bars on 300 mm centers.



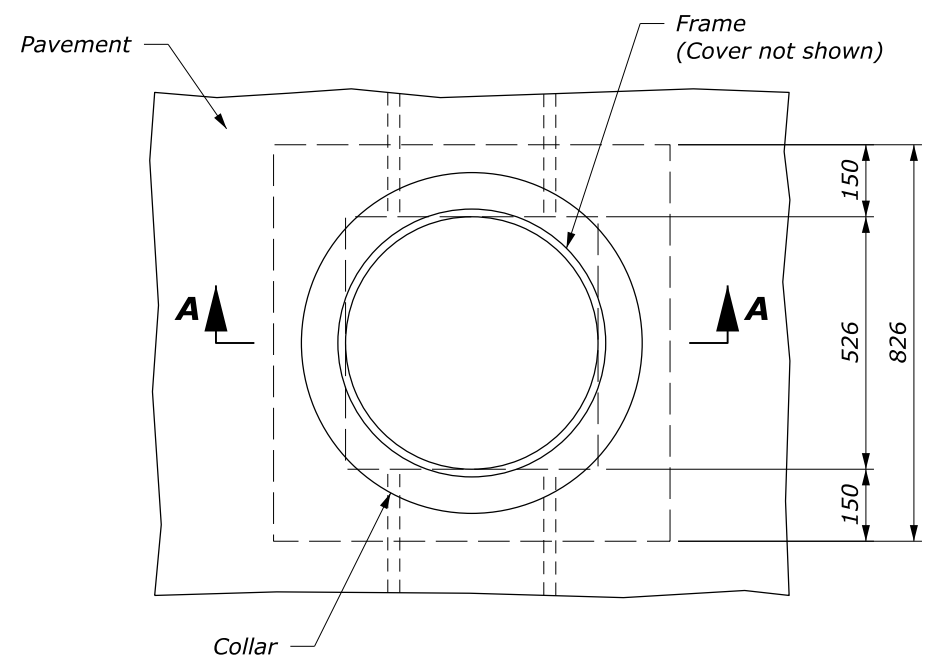
SECTION A-A



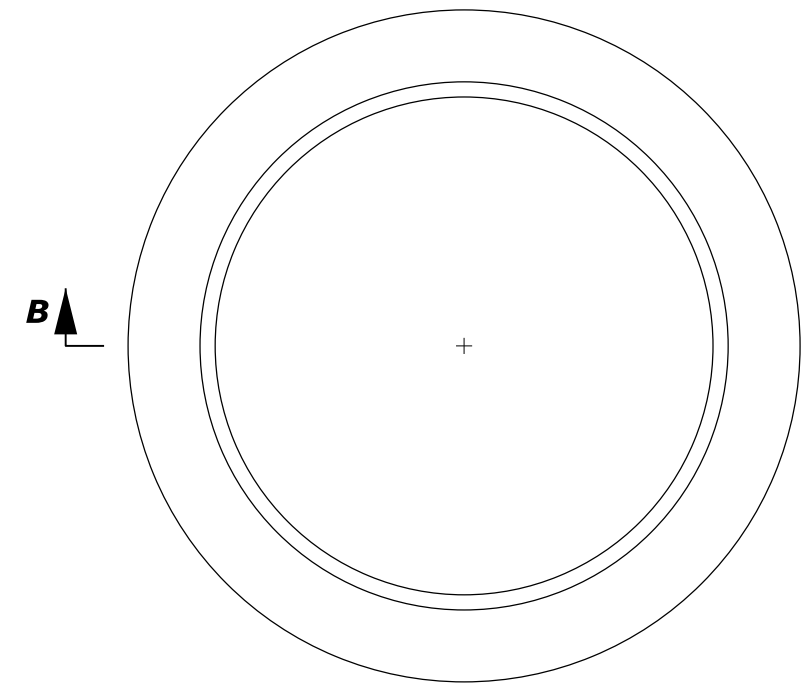
SECTION B-B



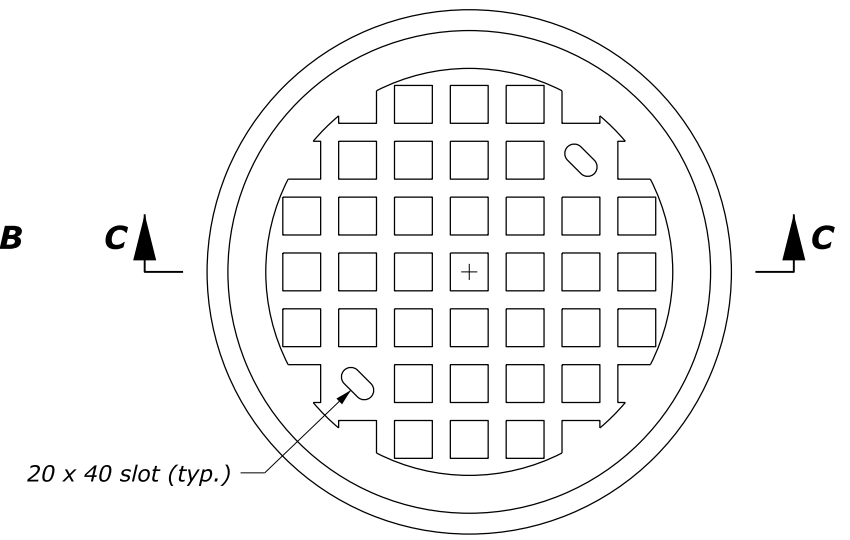
SECTION C-C



PLAN



FRAME



COVER

This drawing contains **Metric** units of measure. Dimensions without units are millimeters.

<b>MANHOLE</b>	U.S. DEPARTMENT OF TRANSPORTATION, FHWA OFFICE OF FEDERAL LANDS HIGHWAY	FLH STANDARD <b>M604-9</b>
	SPECIFICATION FP-24, FP-14	
	APPROVED FOR USE 1/2024	

NO SCALE