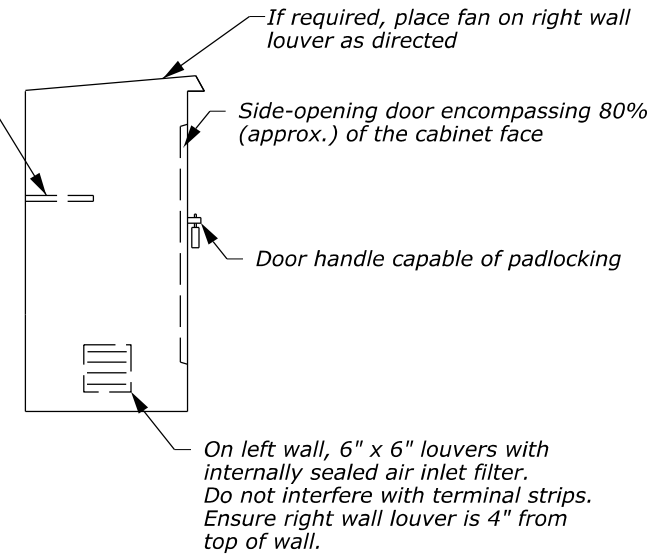


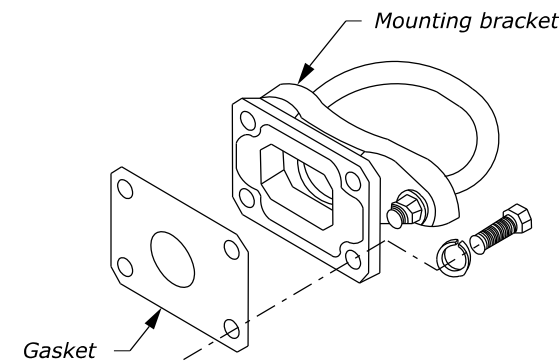
Aluminum shelf, adjustable in 2-inch increments starting 6 inches from cabinet base to 6 inches from cabinet top that does not deform or restrict air flow or block access to other equipment



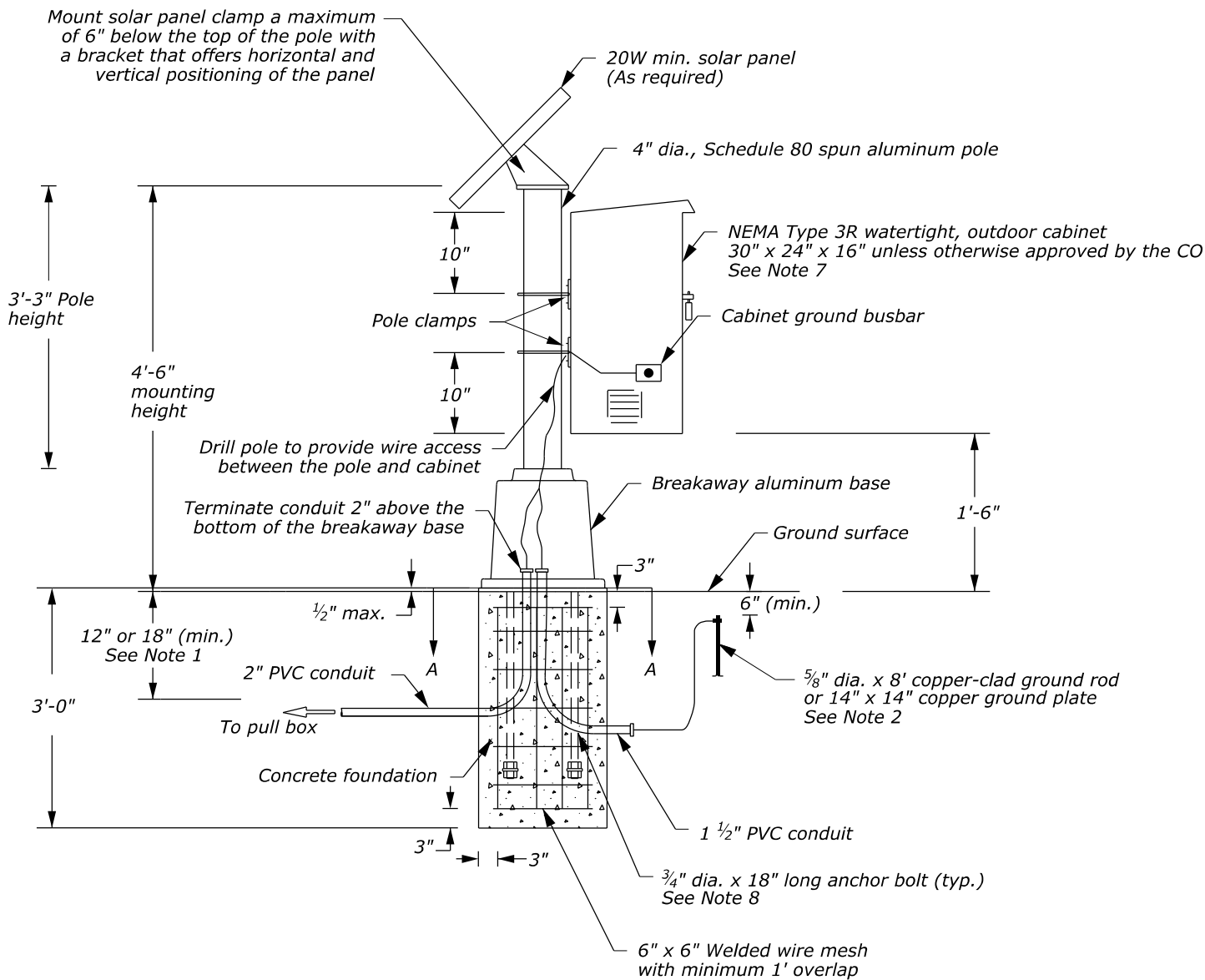
NOTES:

1. If cabinet is located more than 30 feet from the edge of travelway, provide a minimum cover of 12 inches. Otherwise, provide a minimum cover of 18 inches.
2. Install copper-clad ground rod or copper plate according to Subsection 636.07.
3. Refer to Subsection 721.01(f) for grounding and bonding equipment material requirements.
4. Refer to Subsection 721.02(a) for pole and cabinet paint requirements.
5. Provide cabinet equipped with a door stop that holds the door open at 90 degrees and 120 degrees.
6. Ensure cabinet is clean, watertight, and tilted to prevent standing water.
7. Place cabinet and pole base door so that they face away from the direction of traffic.
8. Install anchor bolts vertically using templates provided by the manufacturer. Alternatively, use 3/4-inch diameter, 18-inch long elbowed bolts.

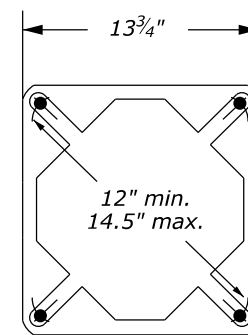
CABINET



POLE CLAMP
See Note 3

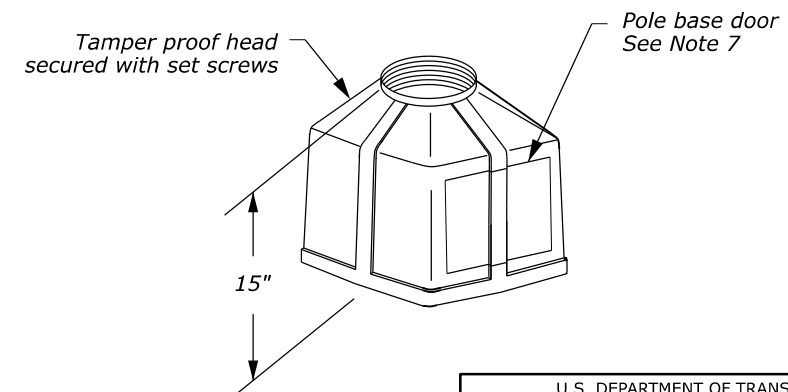


POLE-MOUNTED CABINET



SECTION A-A

BREAKAWAY ALUMINUM BASE



NO SCALE

U.S. DEPARTMENT OF TRANSPORTATION, FHWA
OFFICE OF FEDERAL LANDS HIGHWAY

**TRAFFIC COUNTER CABINET
WITH 4'-6" SOLAR PANEL
MOUNTING HEIGHT**

EFLHD DETAIL
E636-07

SPECIFICATION
FP-24, FP-14

APPROVED FOR USE
06/2024