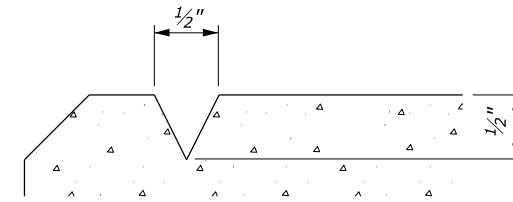
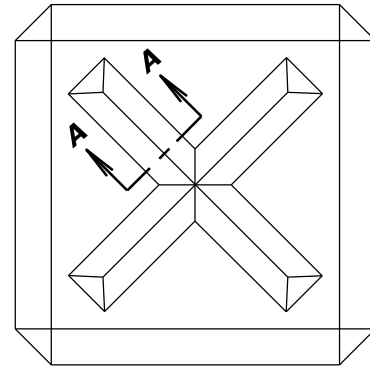
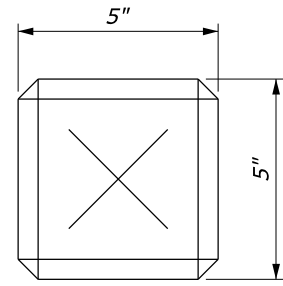
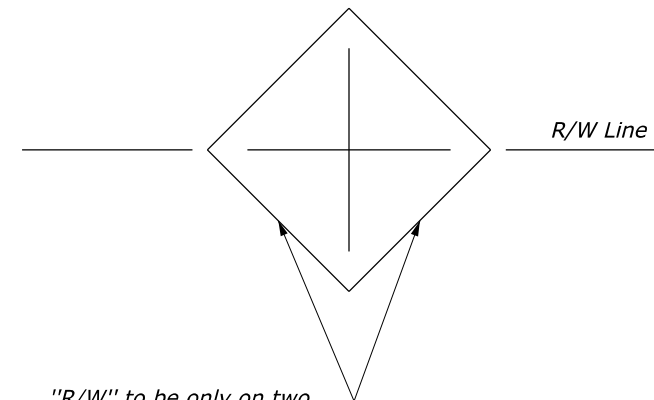
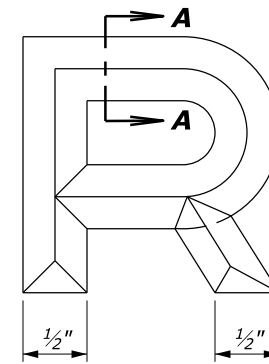
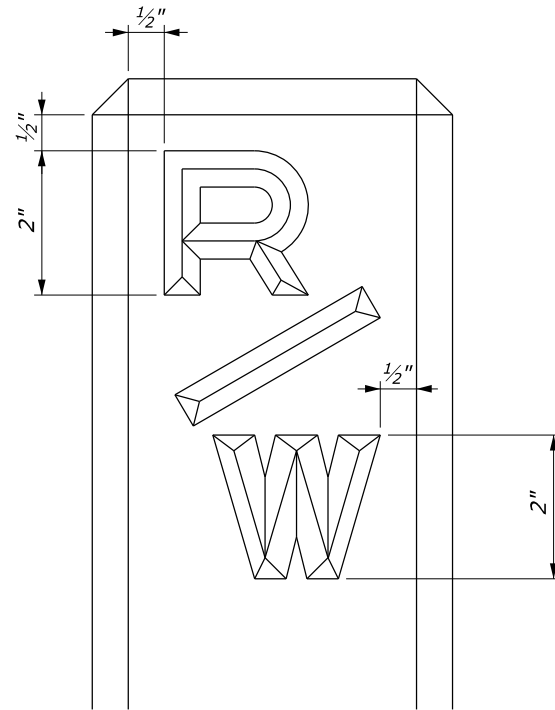
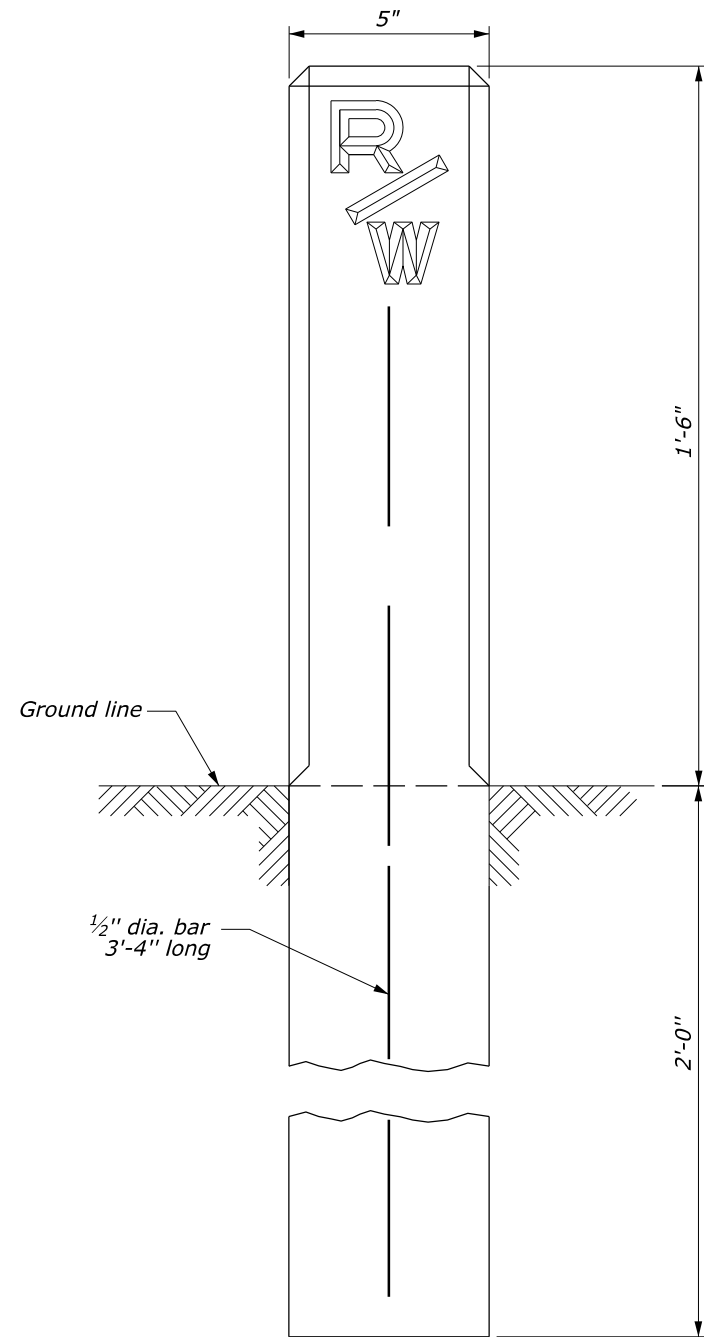


**NOTE:**

*In entrances and yards where the monuments would be unsightly, they may be set with the top flush with the ground as approved.*



SECTION A-A



*"R/W" to be only on two adjacent sides of post.*

NO SCALE

U.S. DEPARTMENT OF TRANSPORTATION, FHWA  
OFFICE OF FEDERAL LANDS HIGHWAY

EFLHD DETAIL  
E621-01

**RIGHT-OF-WAY MARKER**

SPECIFICATION  
FP-24, FP-14

APPROVED FOR USE  
06/2024