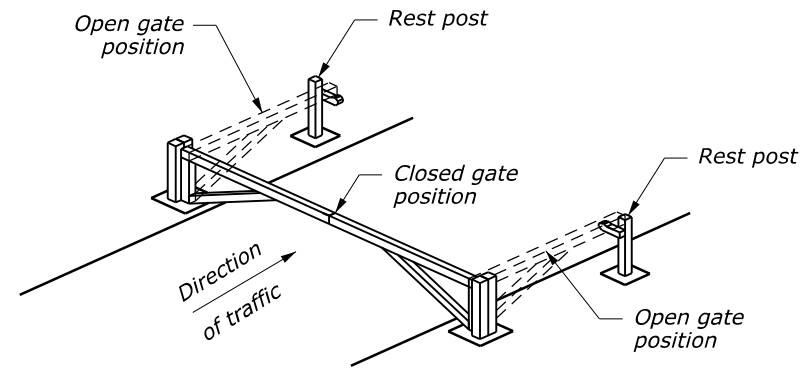


- NOTES:**
1. Use #4 bolts unless otherwise specified.
 2. Use 1-inch diameter washers under all bolt heads and nuts unless otherwise specified.
 3. Use double hot dip galvanized hardware, except parts made of bronze.
 4. Use select Douglas Fir or Southern Yellow Pine (545) timbers. Pressure treat posts embedded in concrete to 0.60 to 0.80 CCA, and all other timbers to 0.40 CCA. Apply 3 brush-coats of CCA to all saw cut areas and drilled holes.
 5. Provide gate with retroreflective delineation consisting of vertical stripes alternating red and white at 16-inch intervals measured horizontally along the full width of the top horizontal bar on both sides.
 6. Mount one "Road Closed" sign on gates as shown. Center the sign over the lane carrying the incoming traffic.
 7. Make all necessary field adjustments to produce a plumb gate as approved.
 8. See Sheet 3 of 3 for Detail A through J.

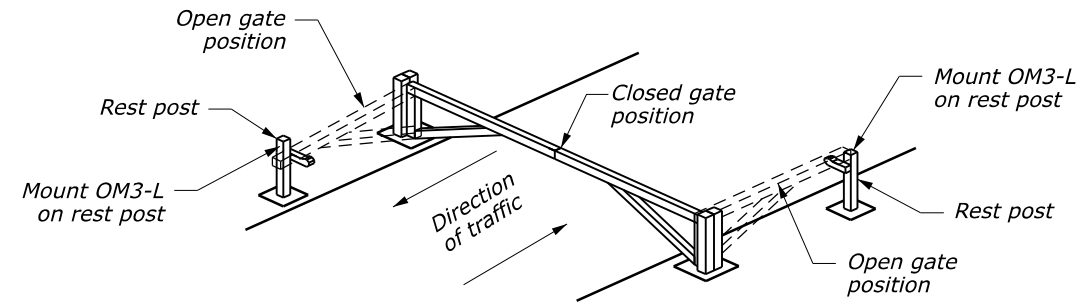
NO SCALE

U.S. DEPARTMENT OF TRANSPORTATION, FHWA OFFICE OF FEDERAL LANDS HIGHWAY	EFLHD DETAIL E619-04
16 FEET AND 28 FEET GATES	SPECIFICATION FP-24, FP-14
Sheet 1 of 3	APPROVED FOR USE 06/2024

M:\Standards_and_Details\EFLHD-Detail-Drawings\FP-24\F19-Fences, Gates, Cattle Guards and Bollard Posts\F1904_detail.dgn [Sheet 1] 13 June 2024 9:51 AM



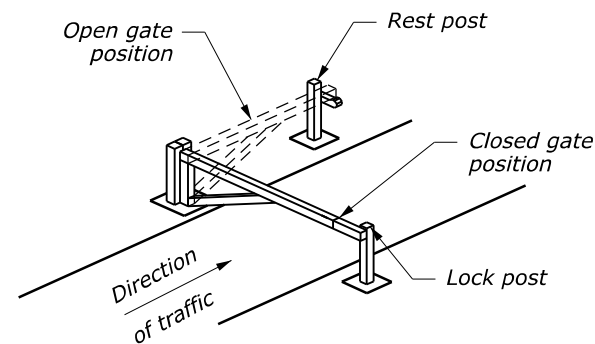
**ISOMETRIC VIEW OF 28-FOOT GATE
ONE-WAY TRAFFIC**



**ISOMETRIC VIEW OF 28-FOOT GATE
TWO-WAY TRAFFIC**

LEGEND:

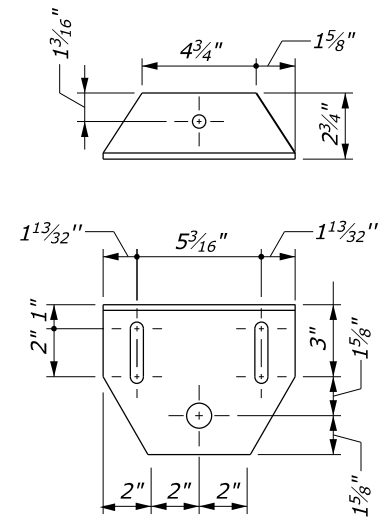
OM3-L: Left Object Marker, Type 3



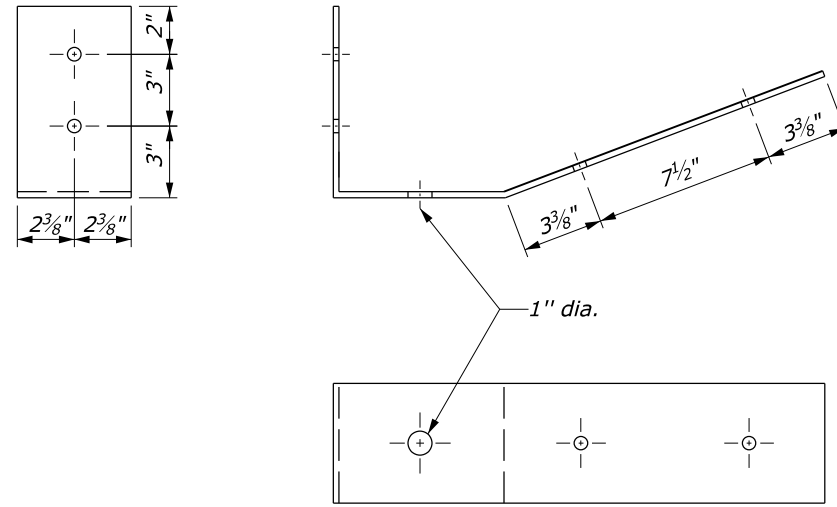
ISOMETRIC VIEW OF 16-FOOT GATE

NO SCALE

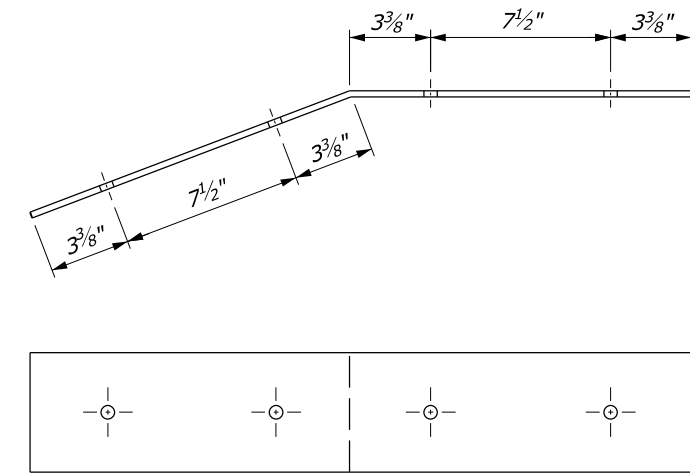
U.S. DEPARTMENT OF TRANSPORTATION, FHWA OFFICE OF FEDERAL LANDS HIGHWAY	EFLHD DETAIL E619-04
16 FEET AND 28 FEET GATES Sheet 2 of 3	SPECIFICATION FP-24, FP-14 APPROVED FOR USE 06/2024



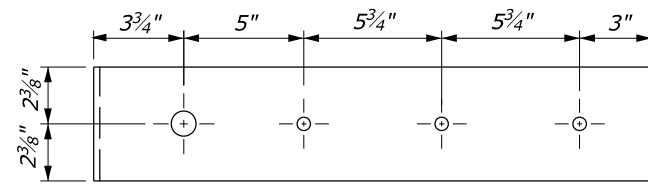
DETAIL A



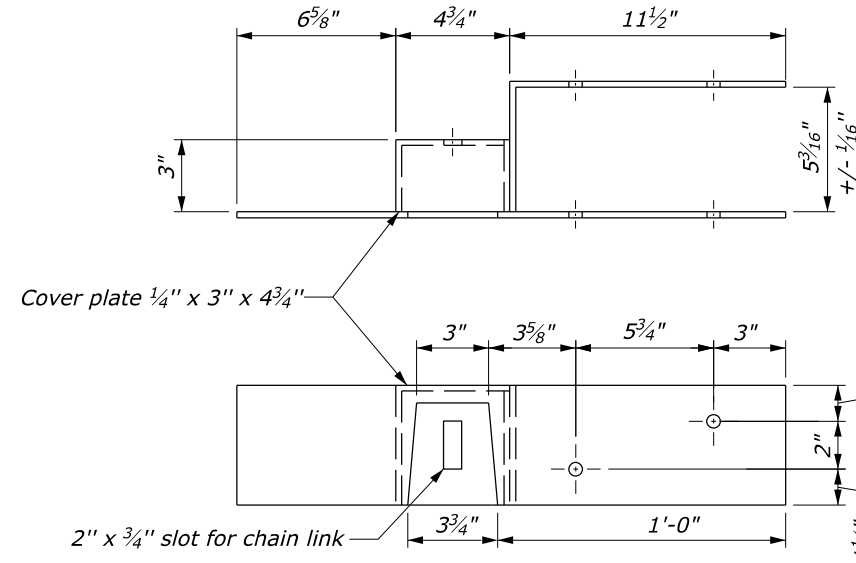
DETAIL B



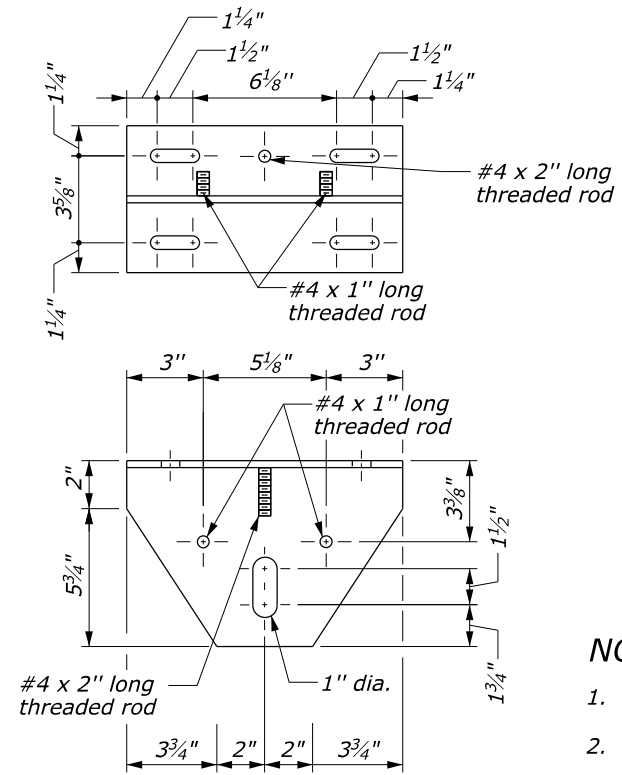
DETAIL C



DETAIL D



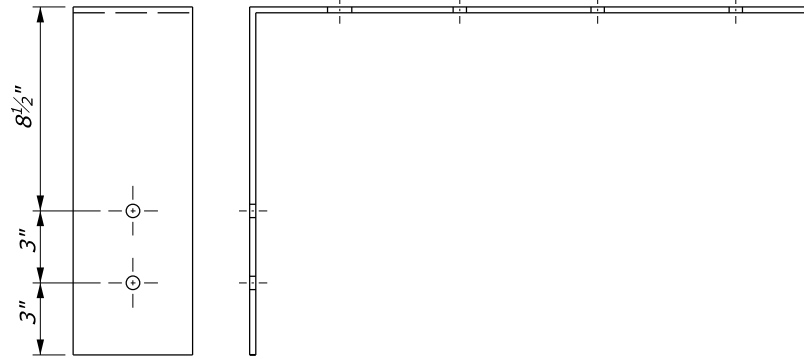
DETAIL E



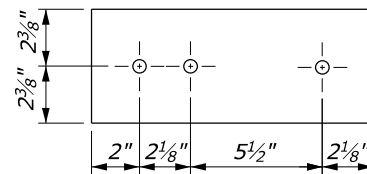
DETAIL F

NOTES:

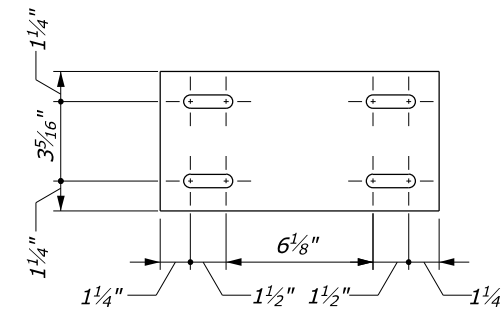
1. Use 1/4-inch thick steel plates.
2. Ensure all holes are 9/16-inch diameter, unless otherwise shown.
3. Use 1/2-inch diameter bolts unless otherwise shown.
4. Use double hot dip galvanized steel plates and hardware.
5. Verify all dimensions.



DETAIL G



DETAIL H



DETAIL J

NO SCALE

U.S. DEPARTMENT OF TRANSPORTATION, FHWA OFFICE OF FEDERAL LANDS HIGHWAY		EFLHD DETAIL E619-04
16 FEET AND 28 FEET GATES		SPECIFICATION FP-24, FP-14
Sheet 3 of 3		APPROVED FOR USE 06/2024