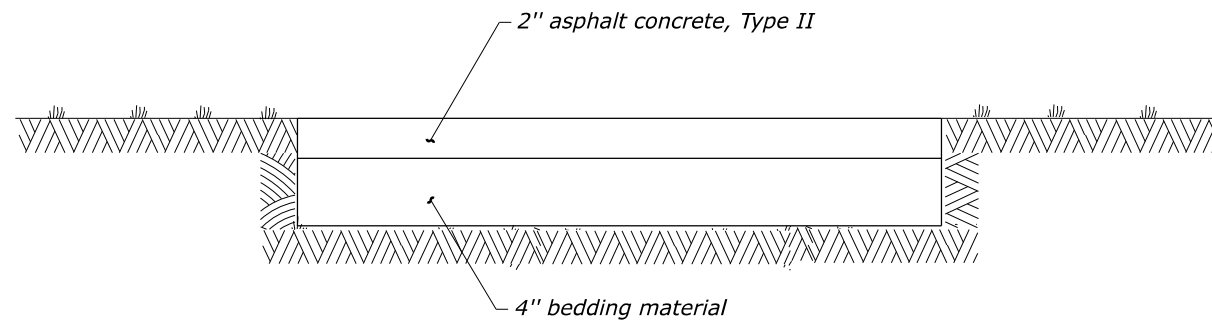


SIDEWALK WITH CURB



SIDEWALK WITHOUT CURB

NO SCALE

U.S. DEPARTMENT OF TRANSPORTATION, FHWA
OFFICE OF FEDERAL LANDS HIGHWAY

EFLHD DETAIL
E610-02

**ASPHALT CONCRETE
SIDEWALK**

SPECIFICATION
FP-24

APPROVED FOR USE
05/2024