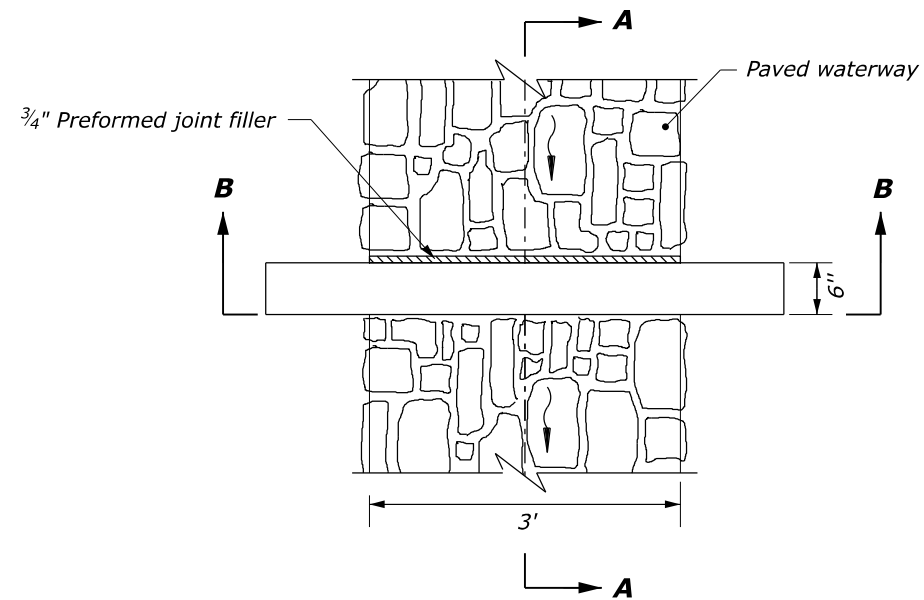


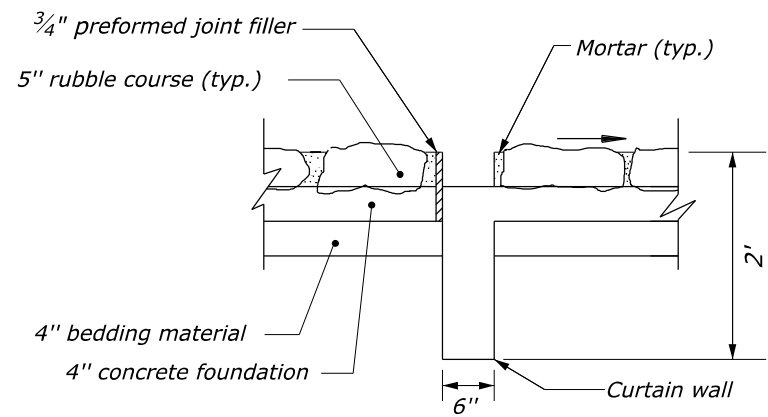
CROSS-SECTION VIEW



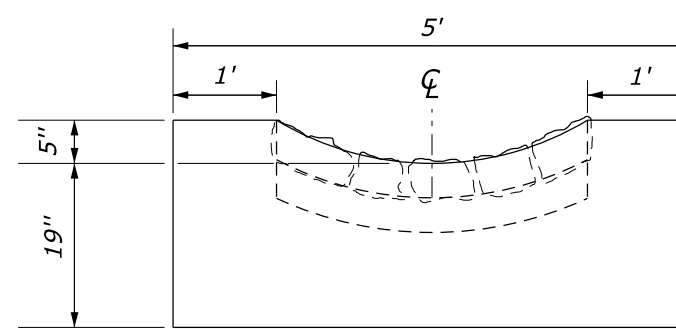
PLAN VIEW

NOTES:

1. Ensure the approximate shape of the concrete and rubble paved waterway is an arc with a radius of 2.9 feet.
2. At inlets and other special locations, widen and shape paved waterway to drain as approved.
3. Construct paved waterway in uniform sections of 20 feet in length, except closure sections are not less than 5 feet in length. Place expansion joints, with curtain walls at 100-foot intervals.
4. At the outlet end of each paved waterway, construct a curtain wall on the downstream end of the last section of the waterway.



SECTION A-A



SECTION B-B

CONCRETE AND RUBBLE PAVED WATERWAY

NO SCALE

U.S. DEPARTMENT OF TRANSPORTATION, FHWA OFFICE OF FEDERAL LANDS HIGHWAY	EFLHD DETAIL E608-03
PAVED WATERWAY, TYPE 3 (CONCRETE AND RUBBLE)	SPECIFICATION FP-24, FP-14
	APPROVED FOR USE 05/2024