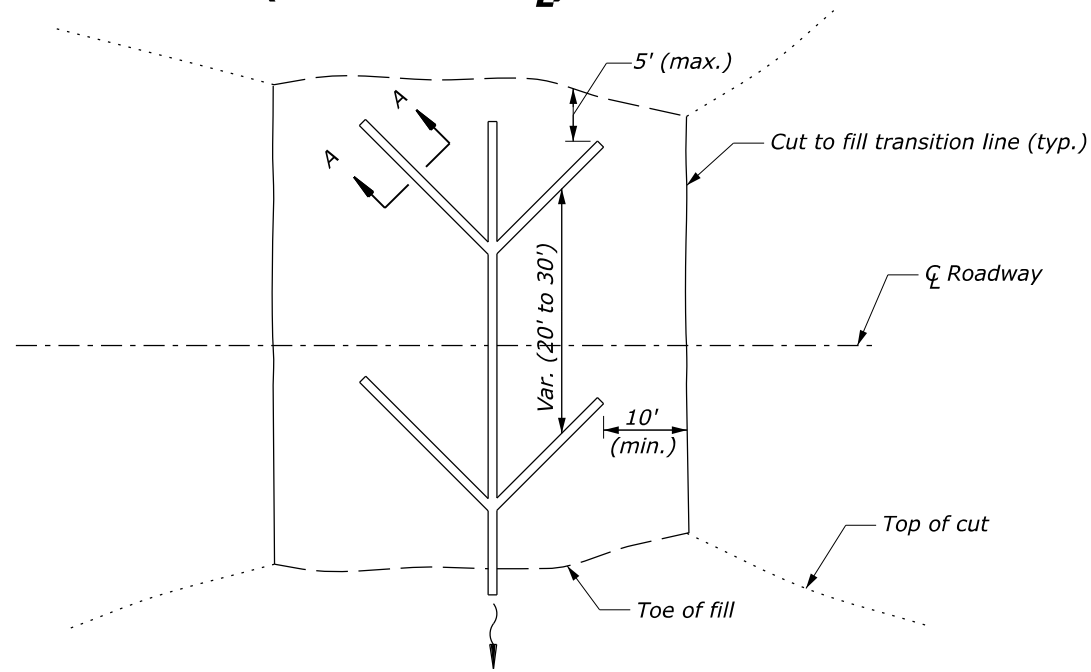
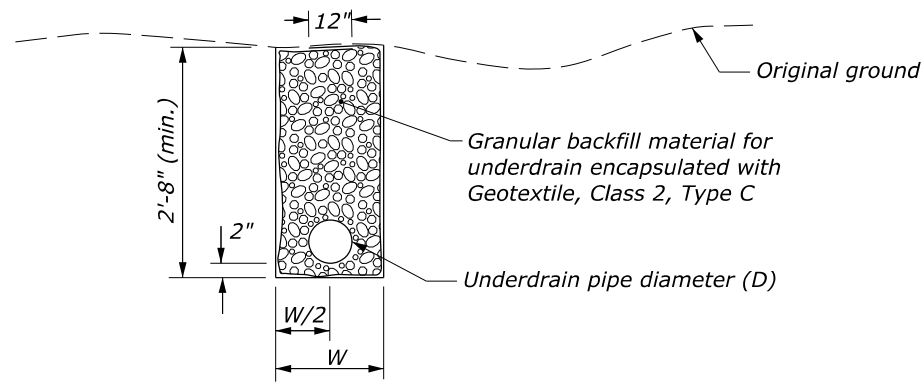


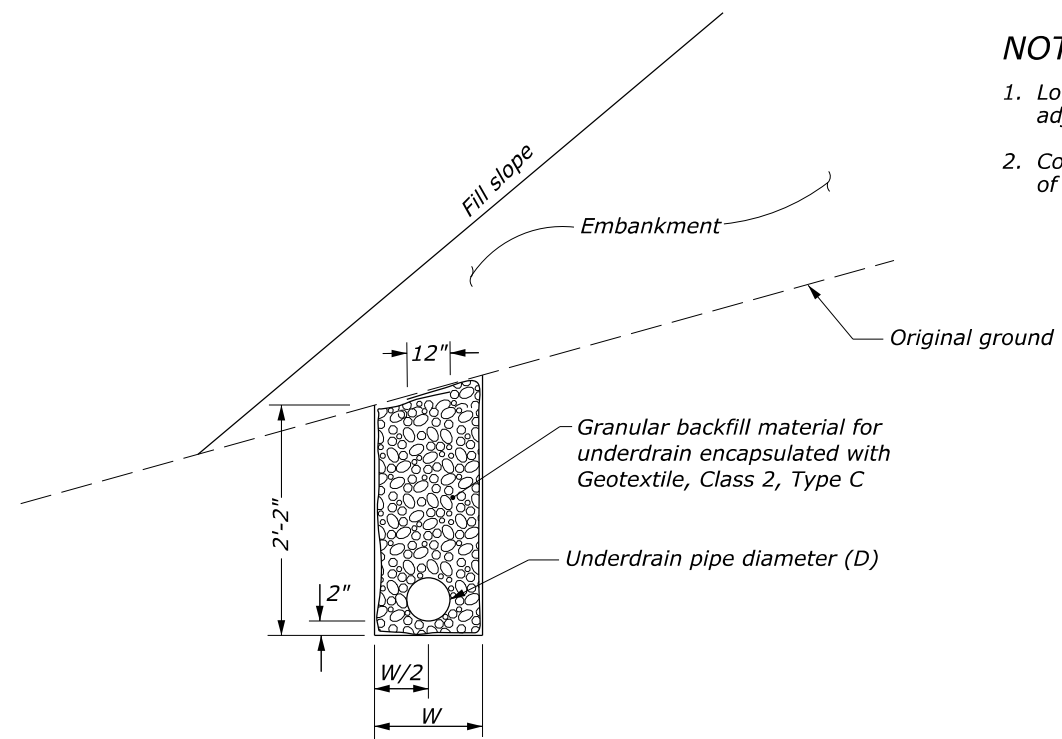
**HERRINGBONE DRAINAGE PATTERN  
(PARALLEL TO  $\zeta$ )**



**HERRINGBONE DRAINAGE PATTERN  
(PERPENDICULAR TO  $\zeta$ )**

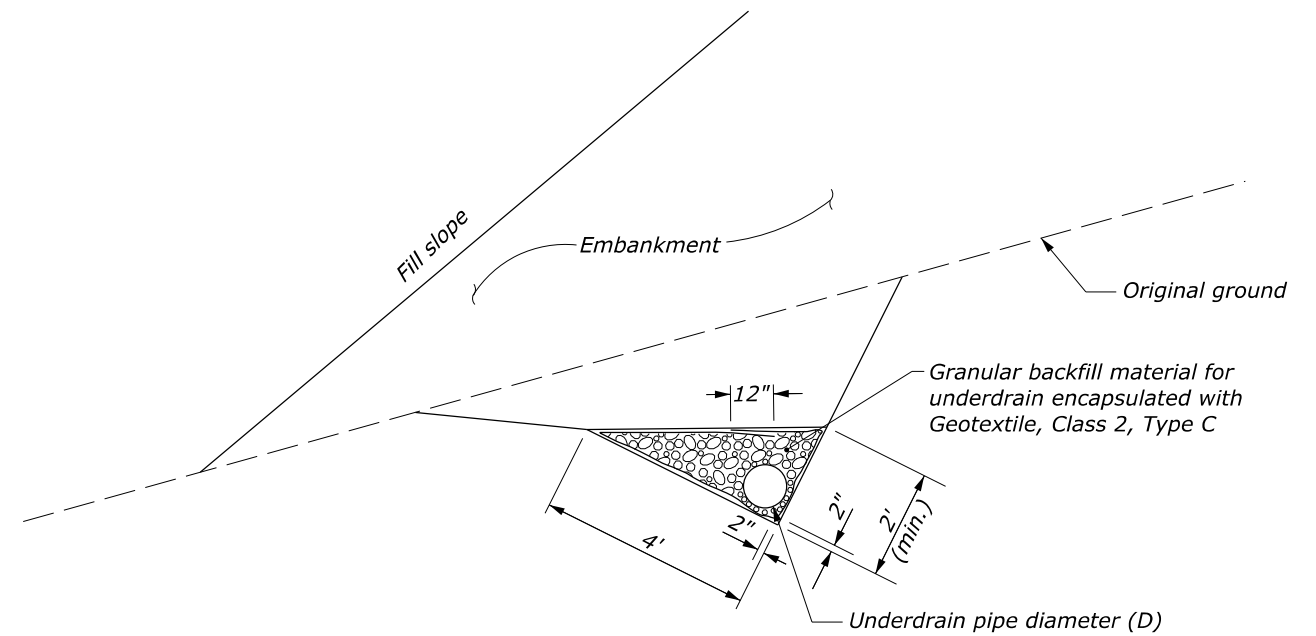


SECTION A-A



**NOTES:**

1. Location of pipe underdrain may be adjusted as approved.
2. Construct underdrain with a grade of at least 0.5%.



DIAMETER (D)	MINIMUM WIDTH (W)
4"	12"
6"	15"

NO SCALE

U.S. DEPARTMENT OF TRANSPORTATION, FHWA  
OFFICE OF FEDERAL LANDS HIGHWAY

EFLHD DETAIL  
E605-02

**UNDERDRAIN FOR  
FILL SLOPES**

SPECIFICATION  
FP-14

APPROVED FOR USE  
05/2024