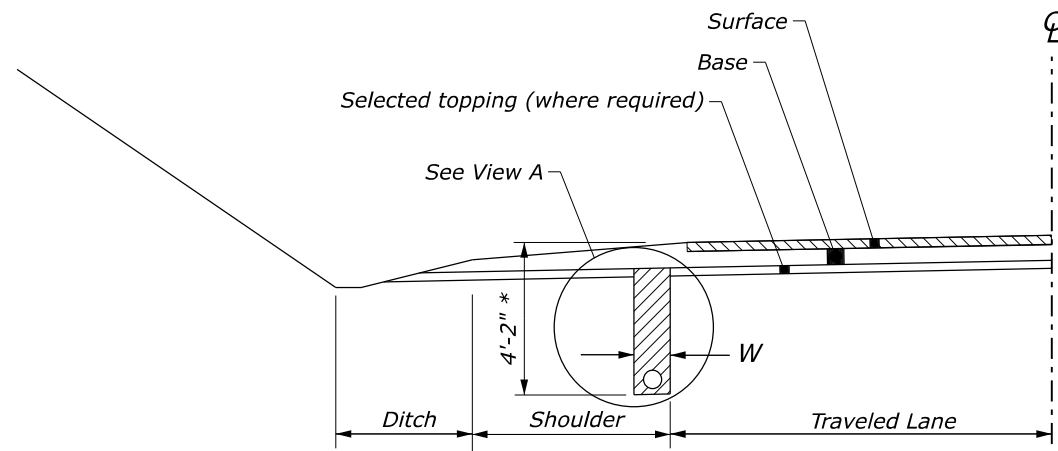
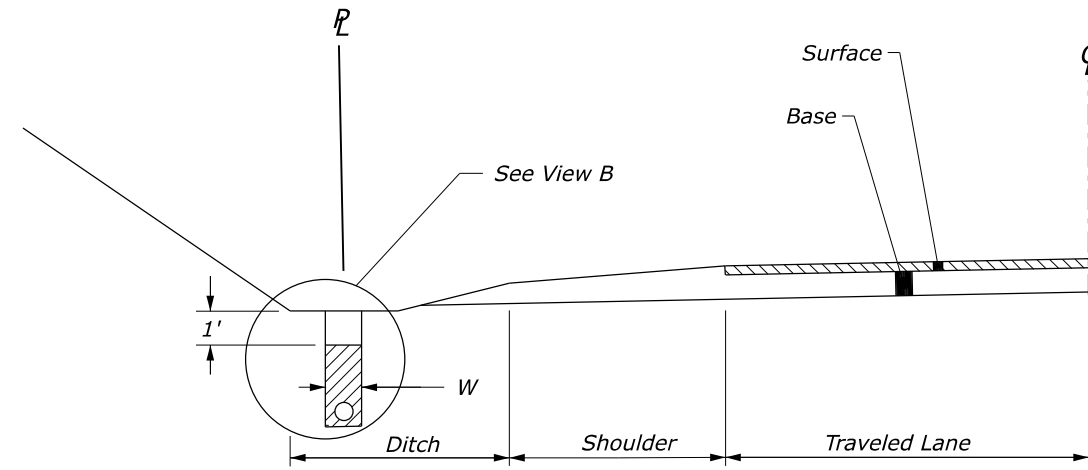


**NOTES:**

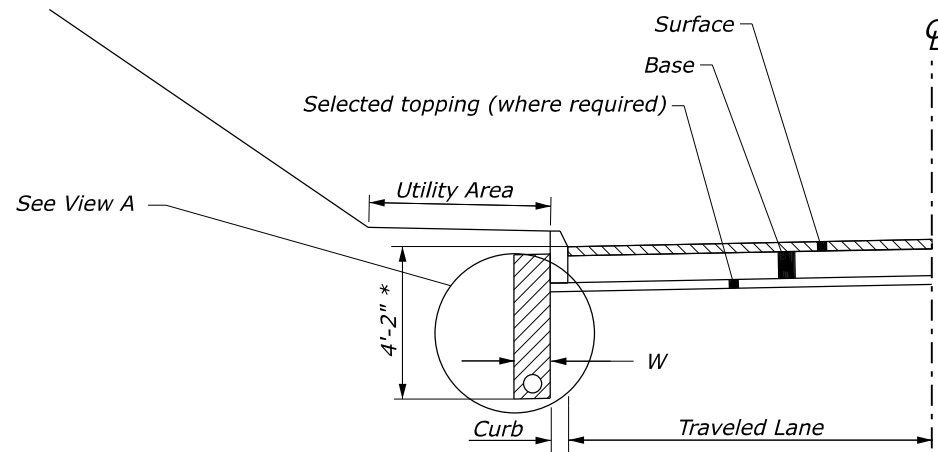
1. Location of pipe underdrain may be adjusted as approved.
2. Construct underdrain with a grade of at least 0.5%.



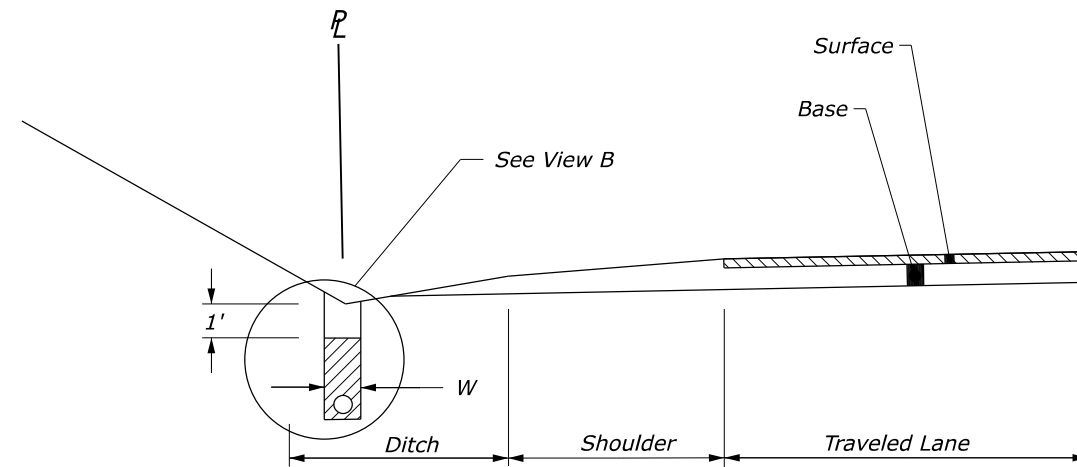
**SHOULDER**



**FLAT BOTTOM DITCH**

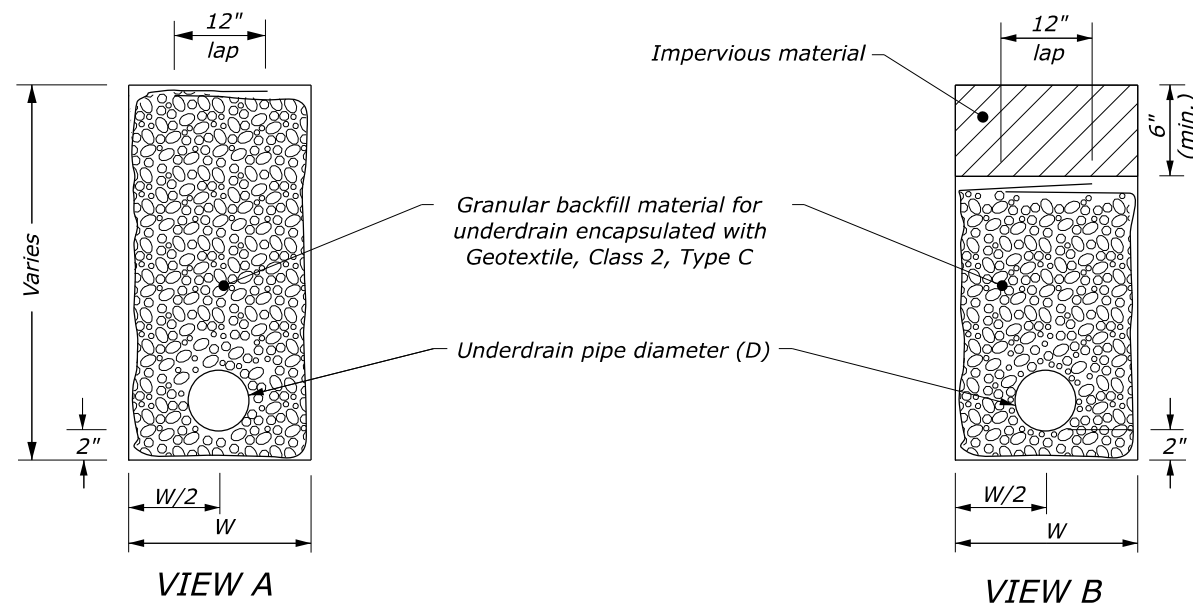


**CURB AND GUTTER**



**VEE DITCH**

\* Adjust depth to meet field conditions as approved.



DIAMETER (D)	MINIMUM WIDTH (W)
4"	12"
6"	15"

NO SCALE

U.S. DEPARTMENT OF TRANSPORTATION, FHWA OFFICE OF FEDERAL LANDS HIGHWAY		EFLHD DETAIL E605-01
<b>UNDERDRAIN FOR PAVEMENT AND DITCHES</b>		SPECIFICATION FP-14
		APPROVED FOR USE 05/2024