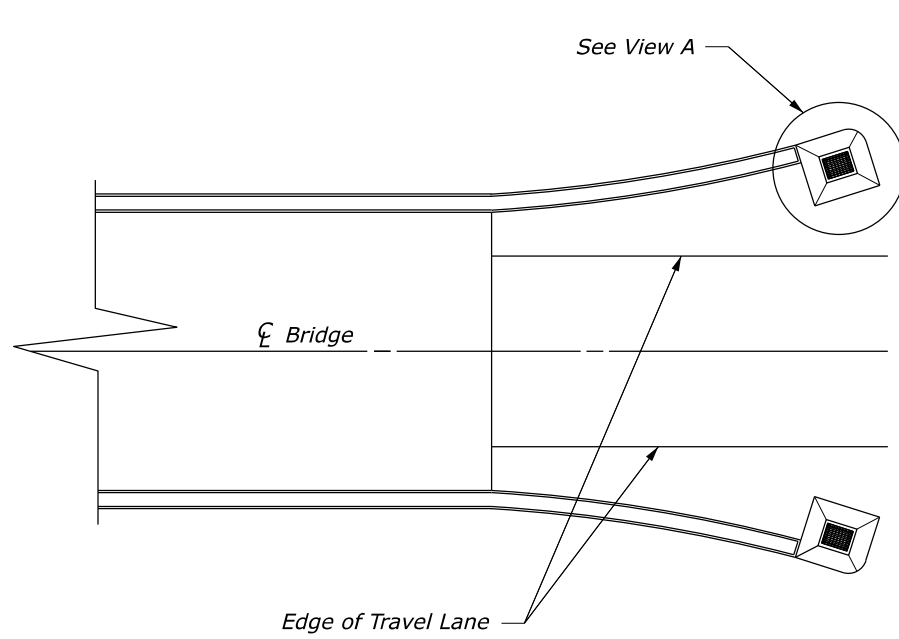
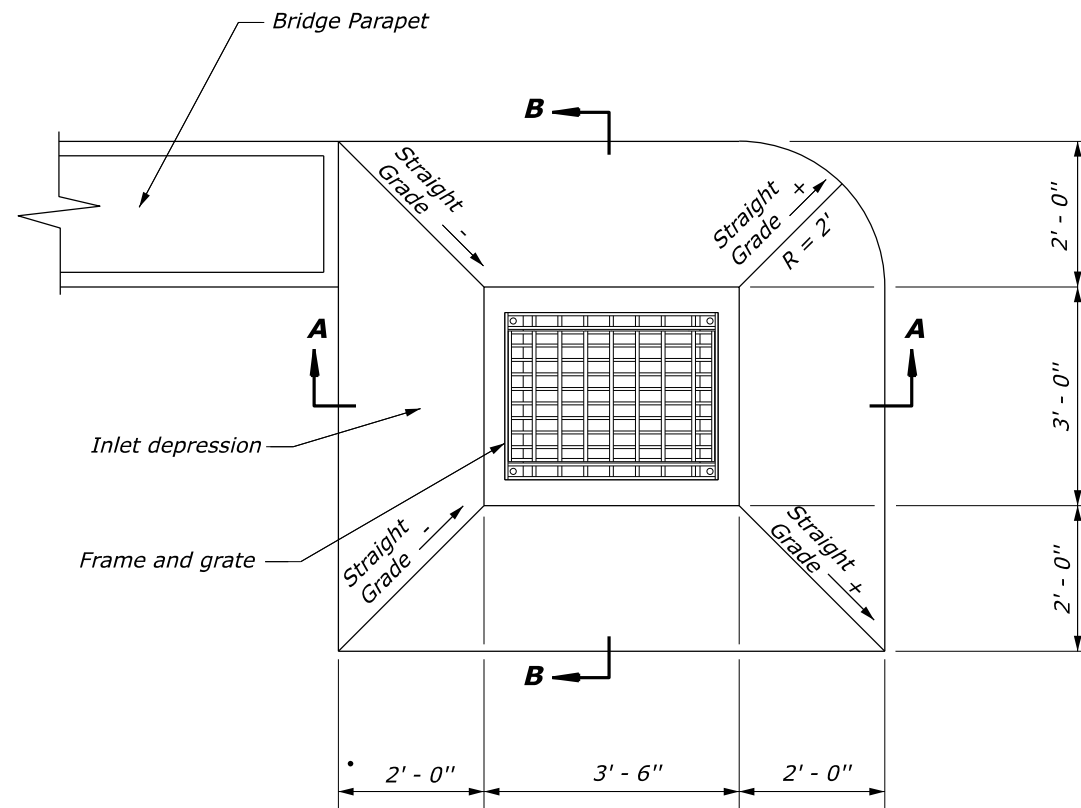


NOTE:

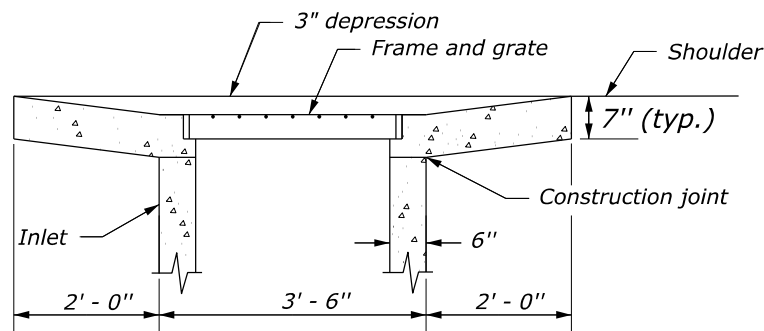
See Standards 604-5 and 604-6 for drop inlet and frame and grate details.



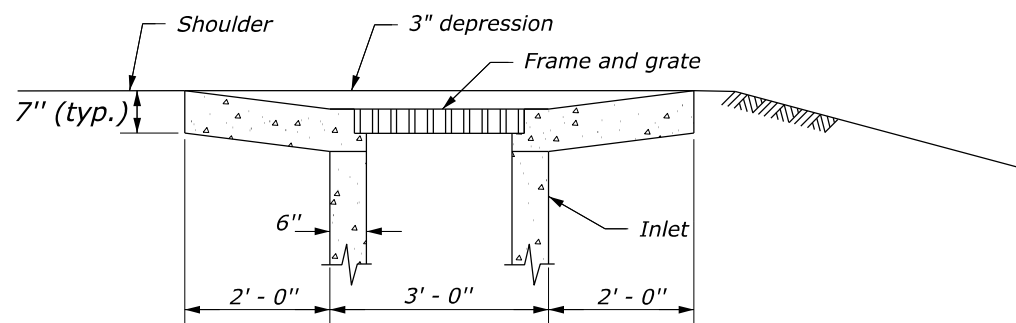
PLAN



VIEW A



SECTION A-A



SECTION B-B

NO SCALE