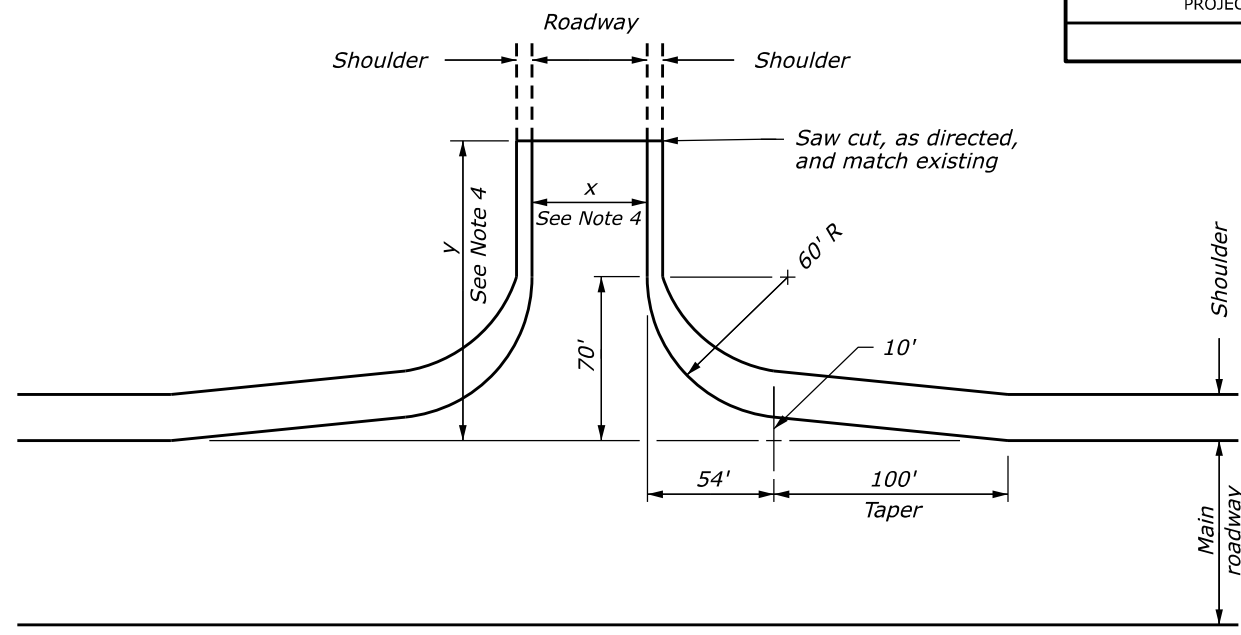
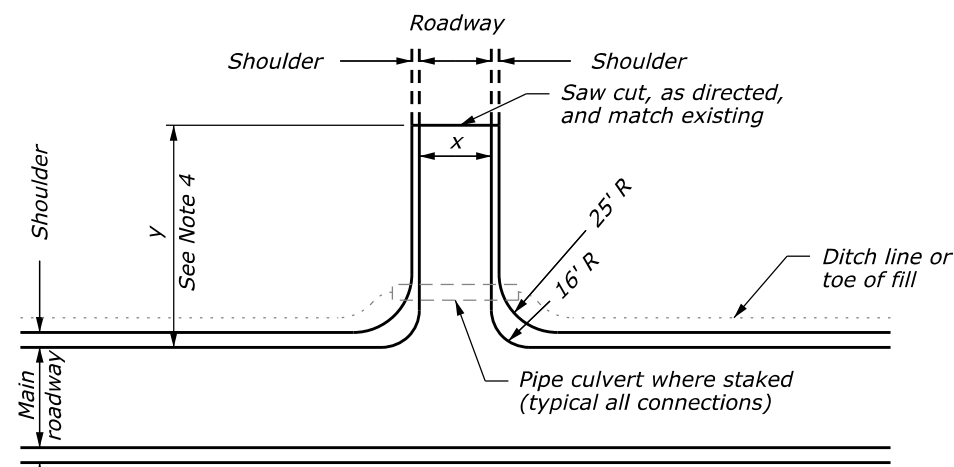


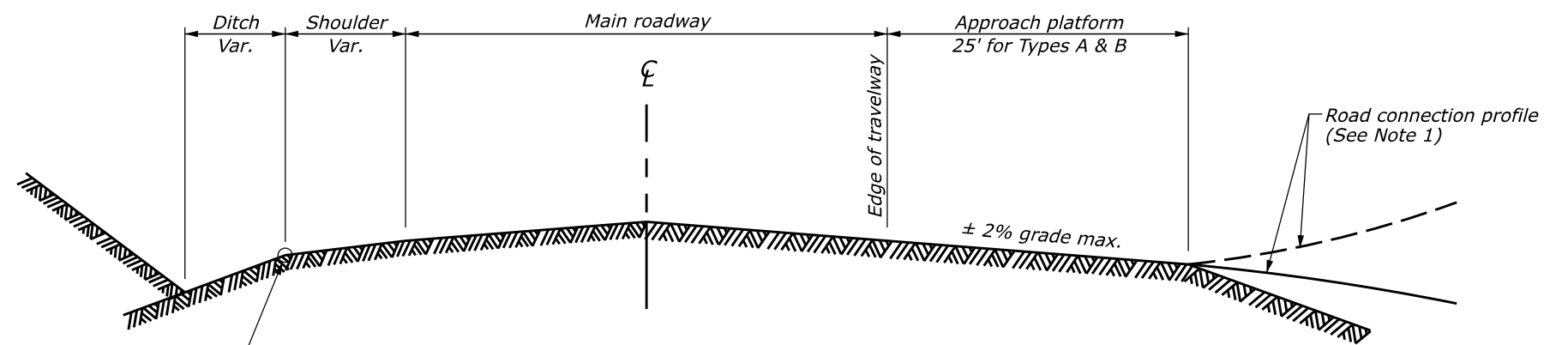
**PLAN
ROAD CONNECTION, TYPE B**



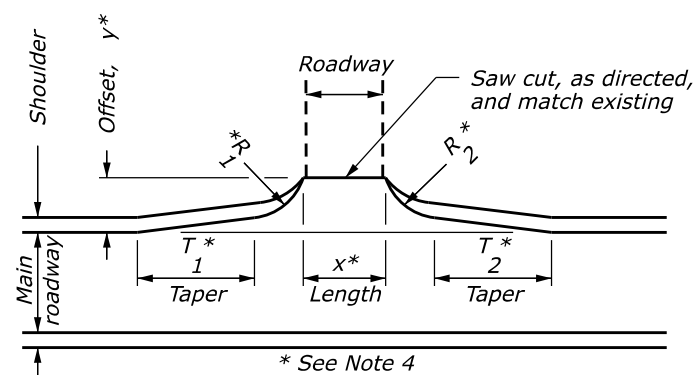
**PLAN
ROAD CONNECTION, TYPE A**



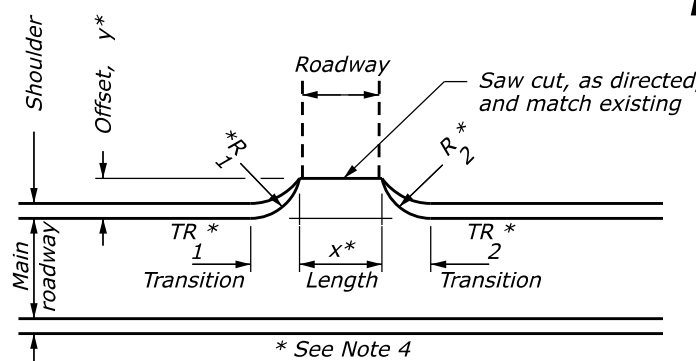
**PLAN
ROAD CONNECTION, TYPE C**



**PROFILE
RIGHT ANGLE ROAD CONNECTION**



**PLAN
ROAD CONNECTION, TYPE D**



**PLAN
ROAD CONNECTION, TYPE E**

NOTES:

1. Match existing road connection profile, as directed.
2. For roadway surface and shoulder widths, see Typical Sections.
3. If drainage is necessary, move the ditch line back (as shown for Type C connection), to provide at least 6 inches of cover over culvert.
4. See Road Connection Schedule for dimensions.

NO SCALE

| | |
|--|--|
| U.S. DEPARTMENT OF TRANSPORTATION, FHWA OFFICE OF FEDERAL LANDS HIGHWAY | EFLHD DETAIL E204-05 |
| ROADWAY CONNECTIONS | SPECIFICATION FP-24, FP-14 APPROVED FOR USE 05/2024 |