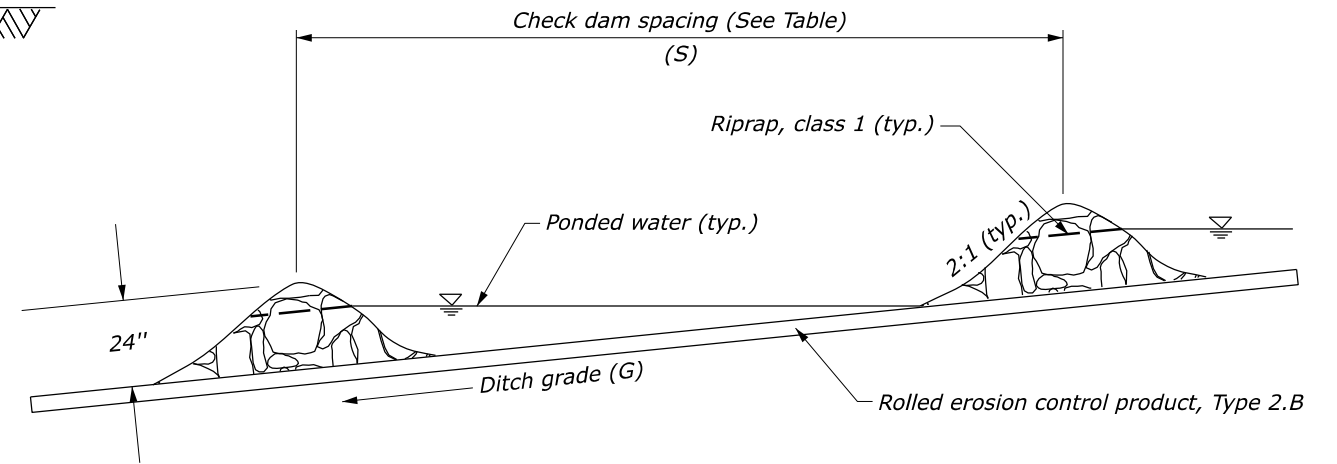
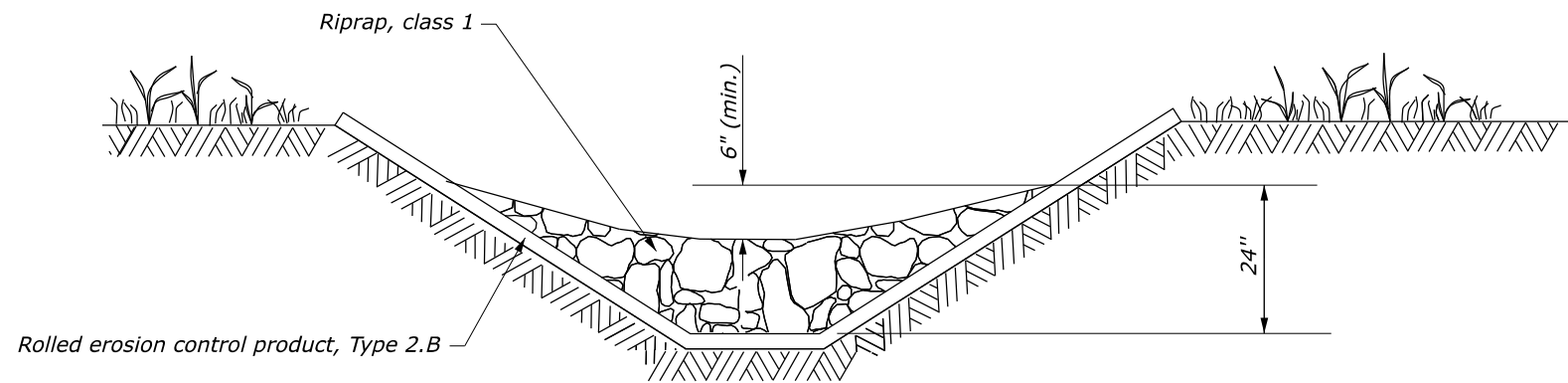


V-DITCH



DITCH PROFILE VIEW



TRAPEZOIDAL DITCH

DITCH CROSS-SECTION VIEW

CHECK DAM SPACING TABLE	
DITCH GRADE (G)*	SPACING (S) LNFT
2%	75
3%	50
4%	40
5%	30
6%	25

\* Do not use Check Dams below 2% or above 6% ditch grades.

NO SCALE

U.S. DEPARTMENT OF TRANSPORTATION, FHWA OFFICE OF FEDERAL LANDS HIGHWAY	EFLHD DETAIL E157-06
<b>CHECK DAM WITH ROLLED EROSION CONTROL PRODUCT</b>	SPECIFICATION FP-24, FP-14 APPROVED FOR USE 05/2024