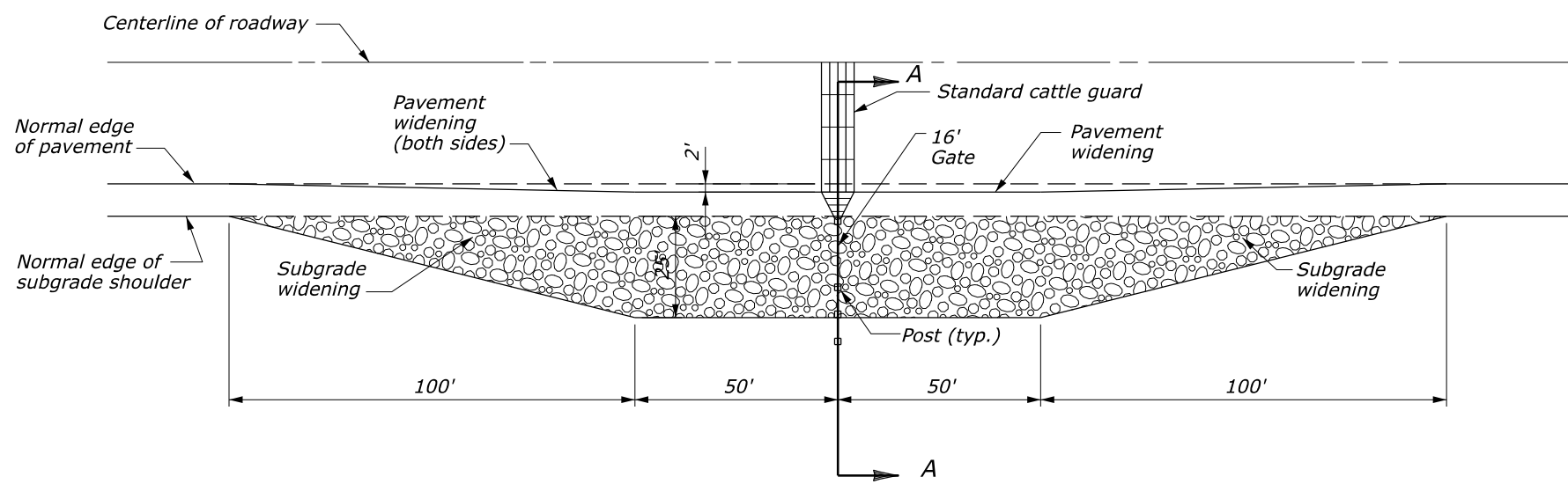
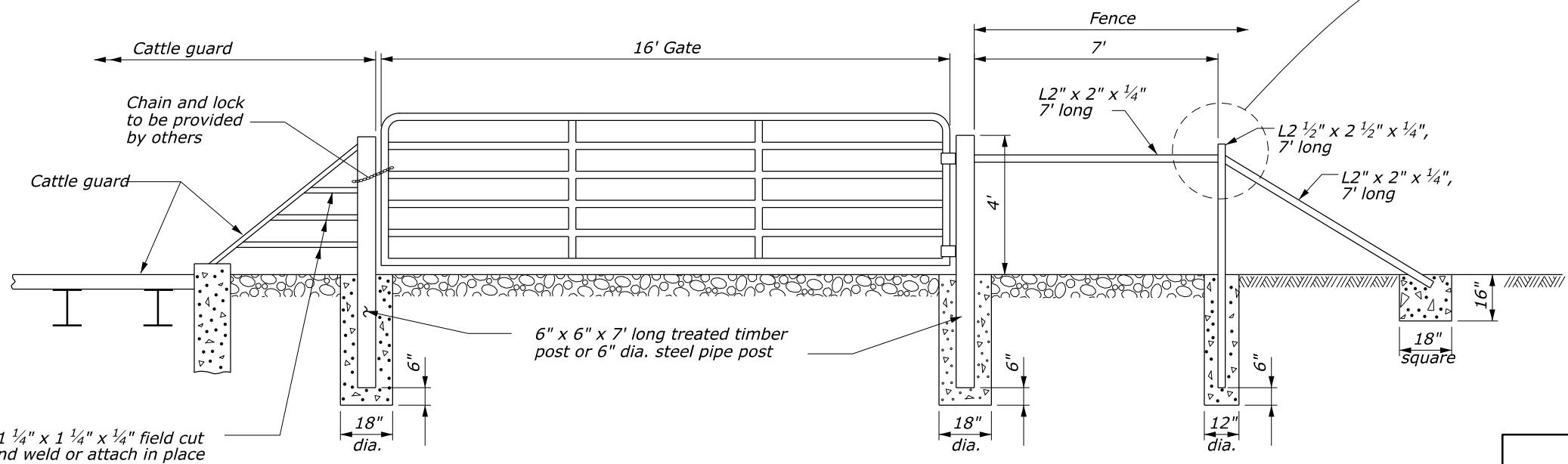


NOTE:

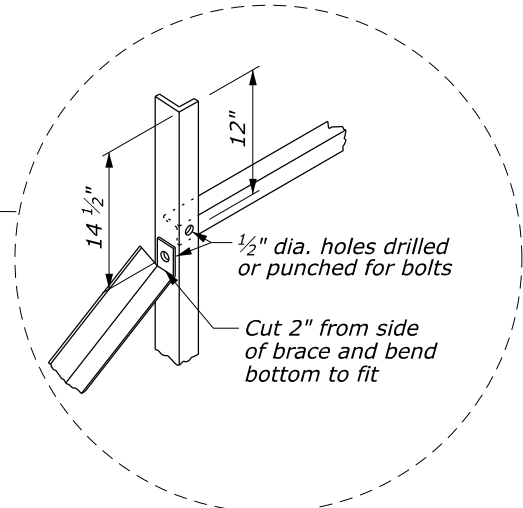
1. Install gate post and brace panel as shown. Use 1/2-inch x 1-inch machine bolts and nuts.
2. Paint all fence posts and braces the same color as the gate.
3. Furnish concrete conforming to Section 601.



PLAN



SECTION A-A



L1 1/4" x 1 1/4" x 1/4" field cut and weld or attach in place as directed when angle iron wing guard is installed. Use appropriate fencing material when wood wing guard or aluminum tubing wing guard is installed.

NO SCALE

U.S. DEPARTMENT OF TRANSPORTATION, FHWA OFFICE OF FEDERAL LANDS HIGHWAY	CFLHD DETAIL C619-52
CATTLE GUARD GATE AND WIDENING	SPECIFICATION FP-14
	APPROVED FOR USE 06/2024