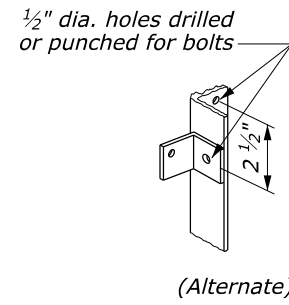
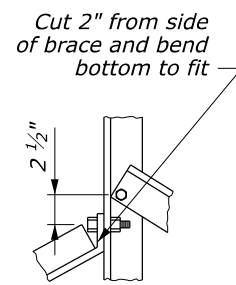


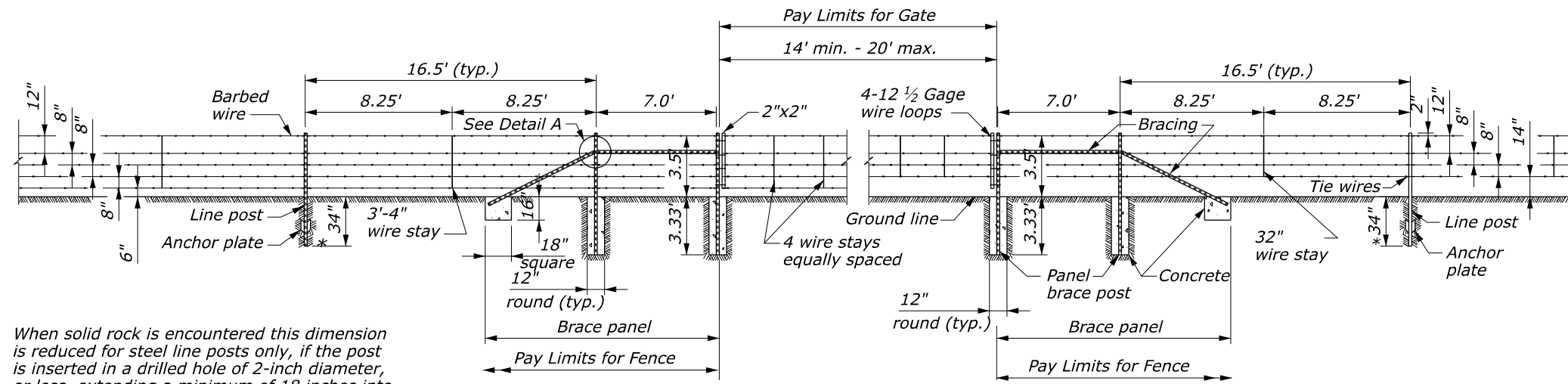
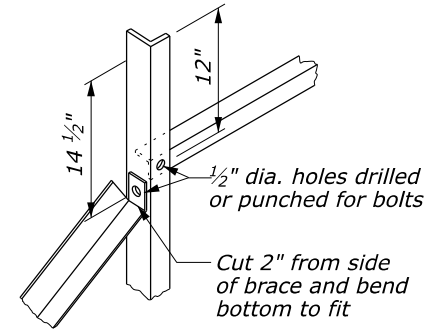
INTERMEDIATE BRACING



DETAIL B



DETAIL A



TYPE A

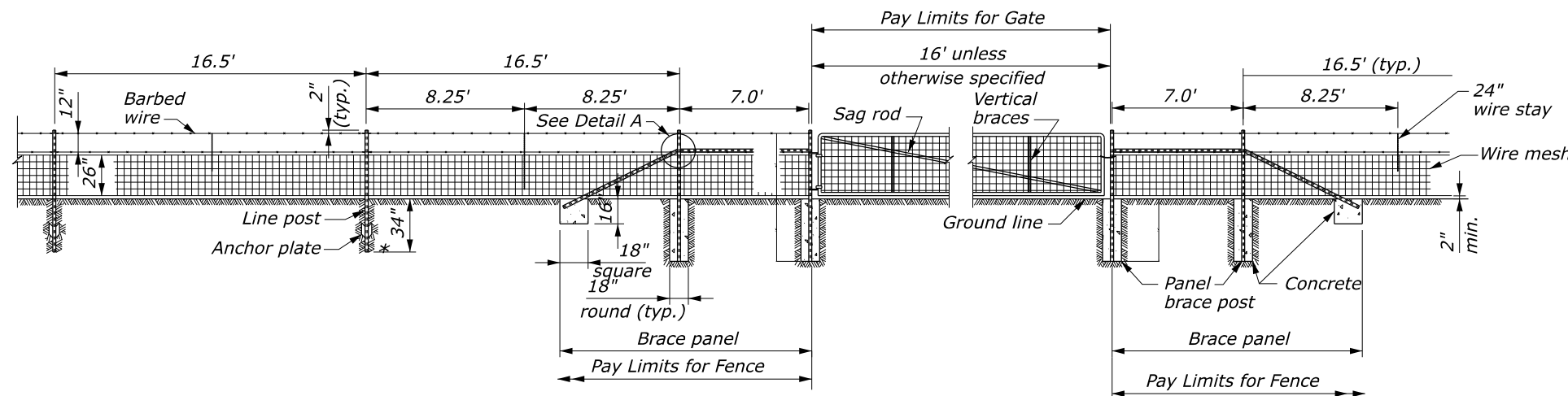
WIRE GATE

TYPE B

(5 STRAND BARBED WIRE)

(4 STRAND BARBED WIRE)

When solid rock is encountered this dimension is reduced for steel line posts only, if the post is inserted in a drilled hole of 2-inch diameter, or less, extending a minimum of 18 inches into the rock. Unless the drilled hole is a friction fit backfill the post with grout or vibratory compacted sand up to the level of the rock surface after the post is in place. Corner posts, brace posts and terminal posts must be embedded full depth in any case.



TYPE C
(COMBINATION)

STANDARD GATE
(For use with all types of fences)

NOTE:

1. Provide panel brace posts and intermediate brace posts that are 2 1/2" x 2 1/2" x 1/4" steel angle sections, 7 feet in length, weighing not less than 3.9 lb/ft. Line posts are steel "Tee" sections, 6.5 feet in length, weighing not less than 1.3 lb/ft, and have an anchor plate sufficient to resist movement. Braces are 2" x 2" x 1/4" steel angle sections, 7 inches in length, weighing not less than 3.0 lb/ft.
2. All posts and braces have a weather resistant green, baked-enamel finish which is also resistant to the shock of driving operations. White paint on the top portion of the posts is optional.
3. Line posts with studded face will be acceptable in lieu of drilled or punched holes.
4. Brace panels will be placed at all corners, ends, intersections, and gates. Brace panels will also be placed at all changes in alignment and grade in excess of 20°. Intermediate bracing will be placed at uniform intervals of not more than 660 feet. In addition to brace panel adjacent to the standard gate, an intermediate brace will be placed 33 feet each side of the gate bracing, except where another brace panel exists within 165 feet of the gate and gate bracing.
5. Barbed wire conforms to ASTM A 121, Class I, and has two strands of 12 1/2 gauge galvanized wire, twisted, having two point, double wrap, 14 gauge round barbs maximum of 4 inches apart. Minimum net weight is 78 pounds per 80-rod steel.
6. Wire mesh fabric conforms to ASTM A 116, Class I. Fabric is 26 inches wide, consisting of 7 horizontal wires with vertical cross wires spaced 6 inches apart. The top and bottom wires are 10 gauge galvanized and the intermediate wire and vertical wires are 12 1/2 gauge galvanized.
7. Wire stays are double strand, twisted, 9 1/2 gauge galvanized. Tie wires are a minimum of 9 1/2 gauge galvanized. Every strand of barbed wire and every other horizontal strand of woven wire mesh fabric is tied to each post according to standard practice.
8. Hardware for attaching braces to posts are 1/2" x 1" galvanized machine bolts and nuts.
9. Concrete conforms to Section 601. Completely cure concrete before wire is stretched.
10. Standard gates are 3.5 feet high, consisting of 1 1/8-inch OD galvanized steel tubular frame and vertical braces at midpoint for gates 14 feet wide or less. Two vertical braces at third points are required for gates over 14 feet wide. Woven wire mesh is as specified above, except that cross wires may be either a 2-inch or 4-inch spacing; or alternatively, chain link fabric can be used. Gates have adjustable hinges and a diagonal, adjustable 3/8-inch galvanized steel sag rod. The latch is a chain with a closeable hook on one end, tack welded to the post. All fittings are galvanized.

U.S. DEPARTMENT OF TRANSPORTATION, FHWA OFFICE OF FEDERAL LANDS HIGHWAY	CFLHD DETAIL C619-50
WIRE FENCES WITH STEEL POST	SPECIFICATION FP-24, FP-14 APPROVED FOR USE 06/2024