

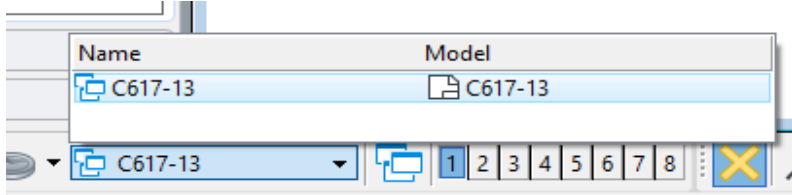
Notes to the Designer

Updated January 2024

Placed Riprap Between Cut and Fill

General Information

- Printing should be done from the **[Sheet]** View model



- **Maximum Flow.** $Q_{max} = 5$ cfs (0.014 m³/s). For other flows, use the Hydraulics Toolbox

Applicable SCRs

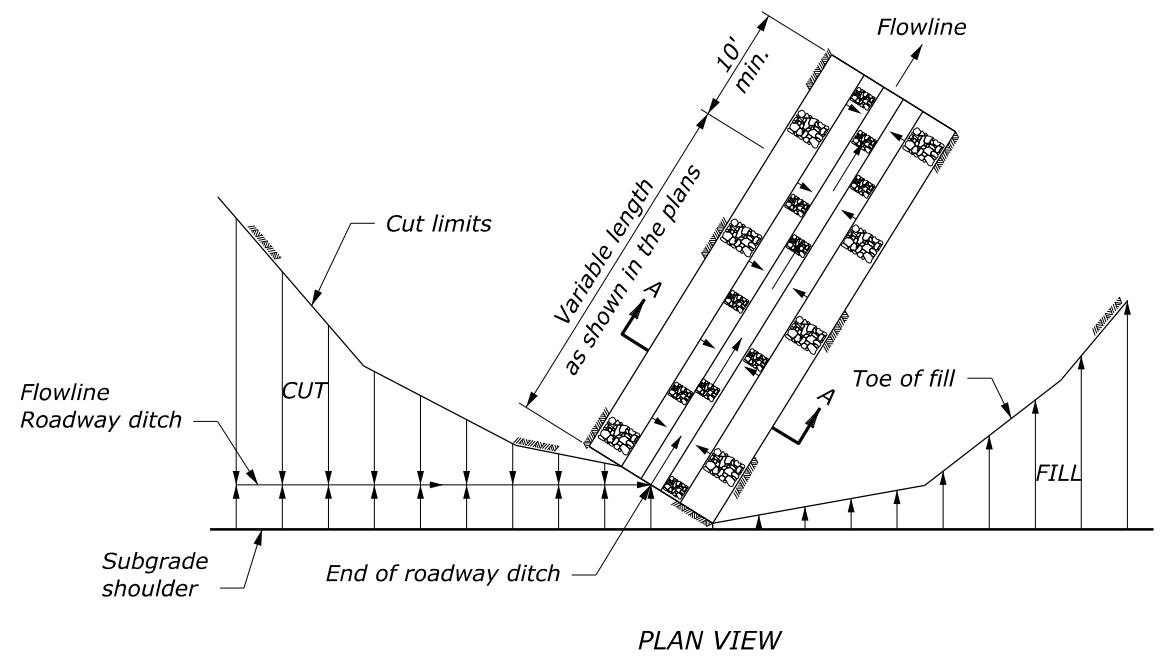
- None

Typical Pay Item Used

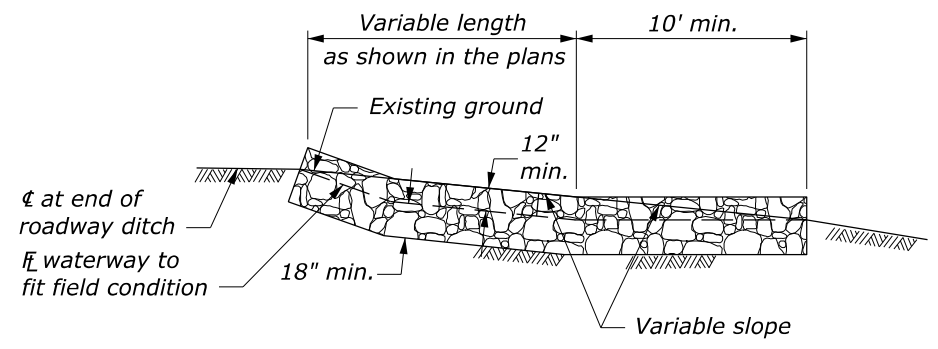
- 25101-0200 Placed riprap, class 2 [CUYD (m³)]
- Geotextile quantity is shown for information only

Updates

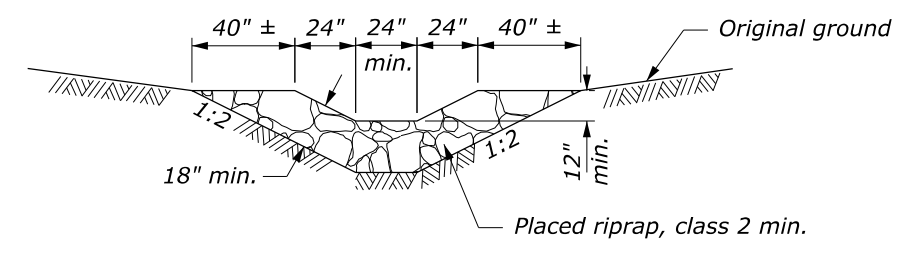
- **August 2014**
 - Updated for FP-14
- **August 2020**
 - Updated geotextile reference
- **September 2021**
 - Updated for OpenRoads Designer
- **January 2024**
 - Updated border; Updated for FP24



PLAN VIEW



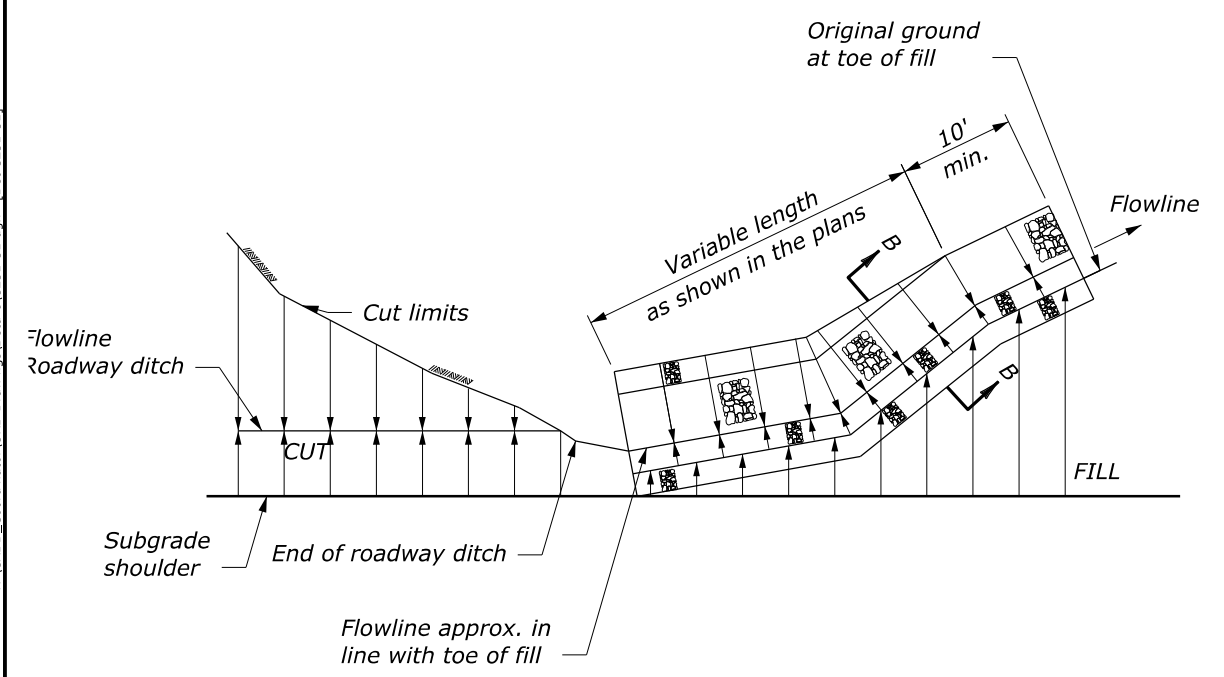
ELEVATION



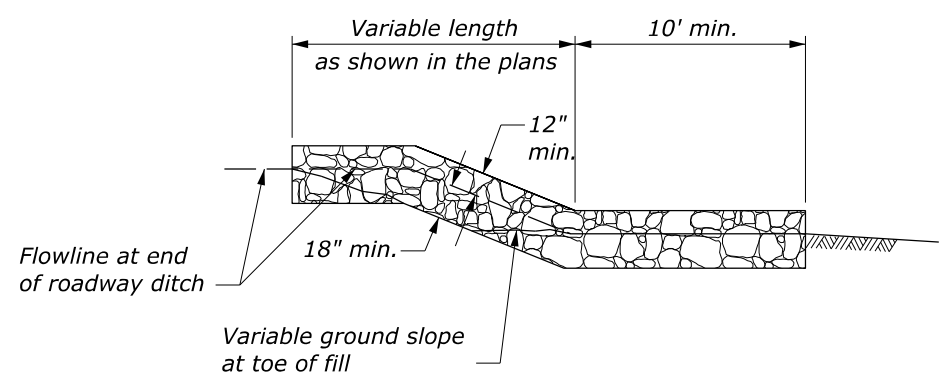
SECTION A-A

TYPE 1 - NOT CONTIGUOUS TO FILL SLOPE
($Q_{max} = 5$ cfs)

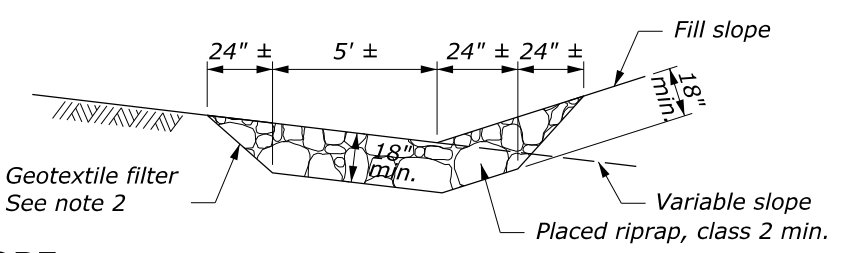
- NOTE:**
1. Excavation for placement of riprap will not be measured for payment.
 2. Furnish geotextile filter conforming to Subsection 714.01(c).



PLAN VIEW



ELEVATION



SECTION B-B

NO SCALE

TYPE 2 - CONTIGUOUS TO FILL SLOPE
($Q_{max} = 5$ cfs)

U.S. DEPARTMENT OF TRANSPORTATION, FHWA OFFICE OF FEDERAL LANDS HIGHWAY	CFLHD DETAIL C251-51
PLACED RIPRAP BETWEEN CUT AND FILL	SPECIFICATION FP-24
	APPROVED FOR USE 06/2024