

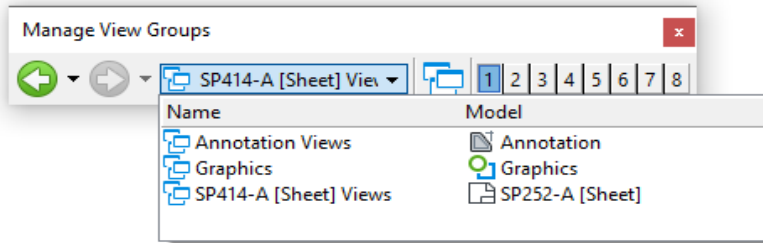
Notes to the Designer

Updated January 2024

Silt Fence

General Information

- Printing should be done from the **[Sheet]** View model



- Appropriate Applications

Silt fences filter and allow settlement of soil particles from sediment-laden water. Silt fences may be placed:

- *Below the toe of exposed and erodible slopes;
- *Along slope contours (not on gradients);
- *Around temporary stockpiles;
- *Along streams and channels; and
- *Along the perimeter of a project to contain sediments within project limits.

- Limitations

Silt fence is used only in sheet flow conditions, not in concentrated flow areas.

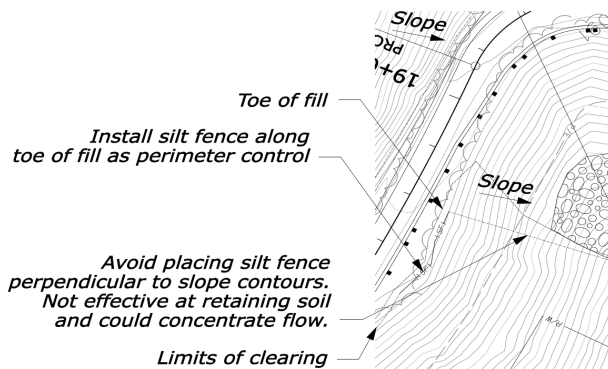
Silt fence is typically installed along the contour (constant elevation), not on slopes, to avoid channelizing water.

- Layout Guidance

Maximum length of slope draining to any point along the silt fence is 200 feet or less.

Slope of area draining to silt fence is 1V:1H or flatter.

Avoid installing silt fence on slopes as much as possible – silt fence is typically installed along slope contours.



Applicable SCRs

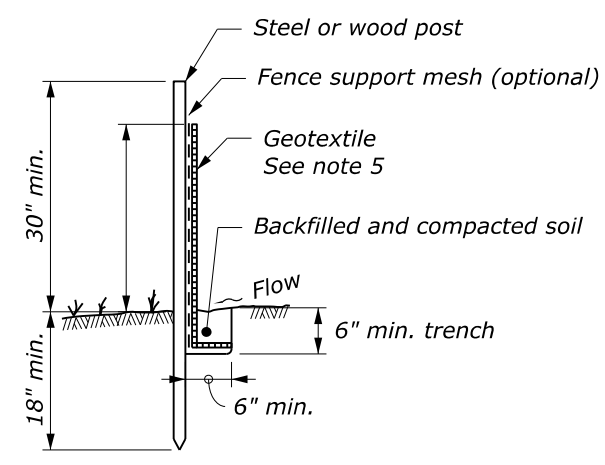
- None

Typical Pay Item Used

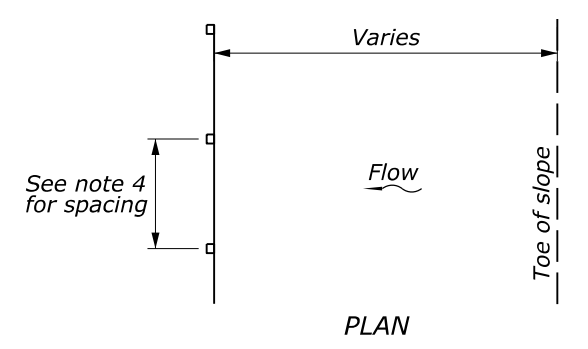
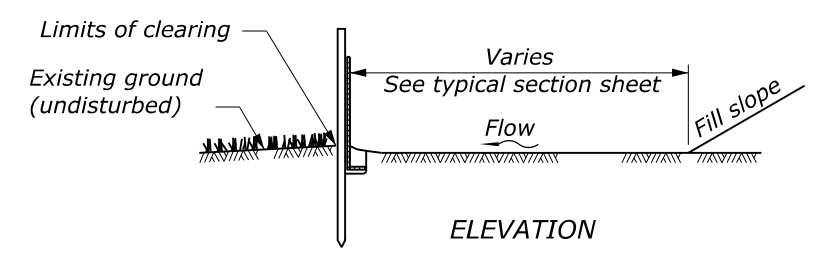
- 15705-0100 Soil Erosion Control, Silt Fence [LNFT]

Updates

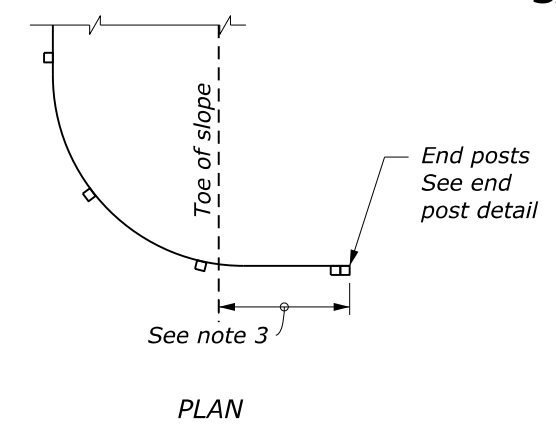
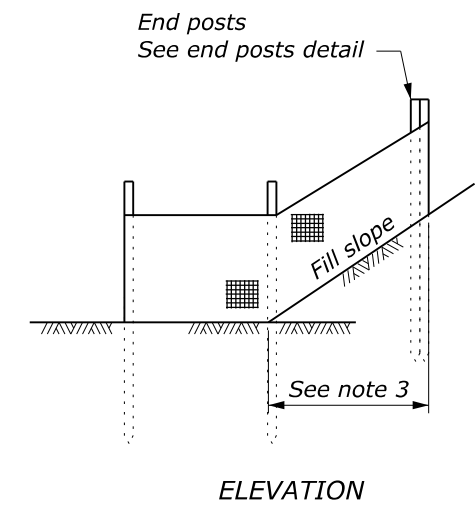
- **September 2020**
 - Updated for OpenRoads Designer
 - Updated geotextile references
- **January 2024**
 - Updated border/FP 24



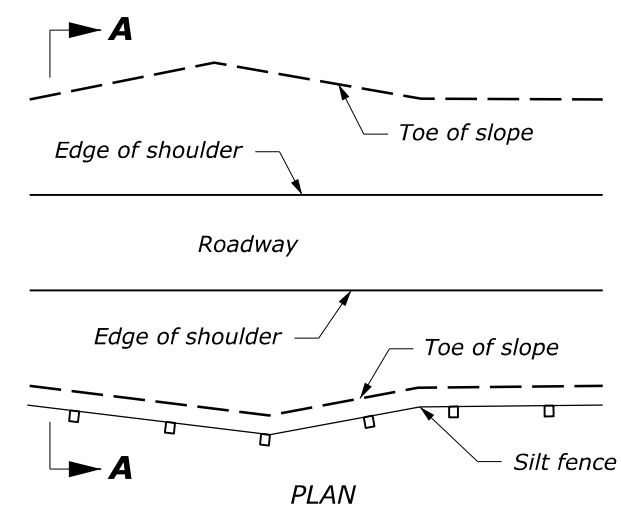
POST AND GEOTEXTILE INSTALLATION DETAIL



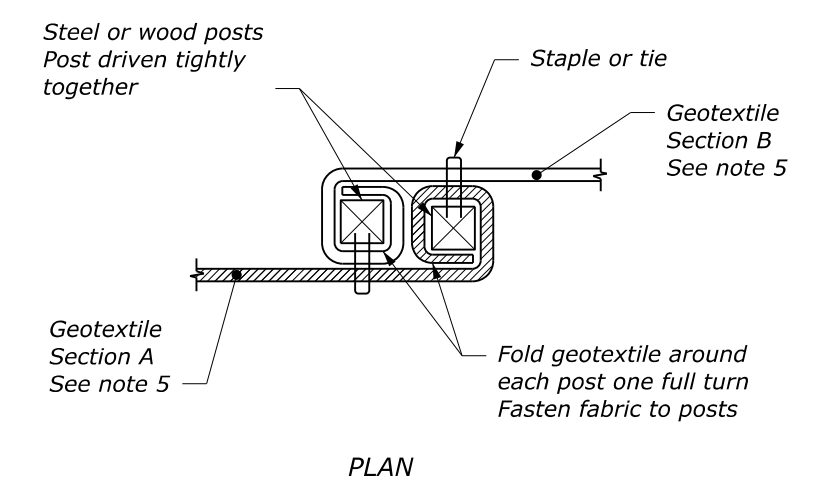
SILT FENCE INSTALLATION AT TOE OF FILL



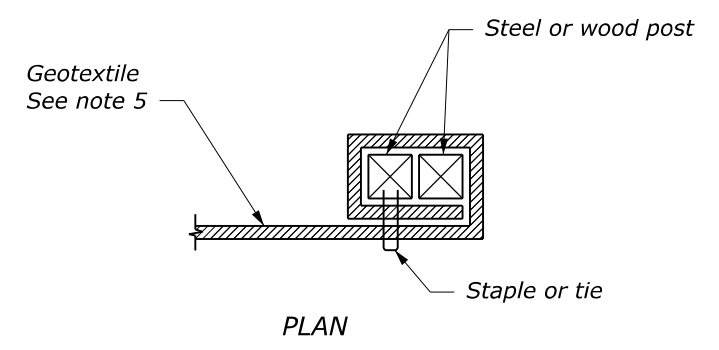
END DETAIL



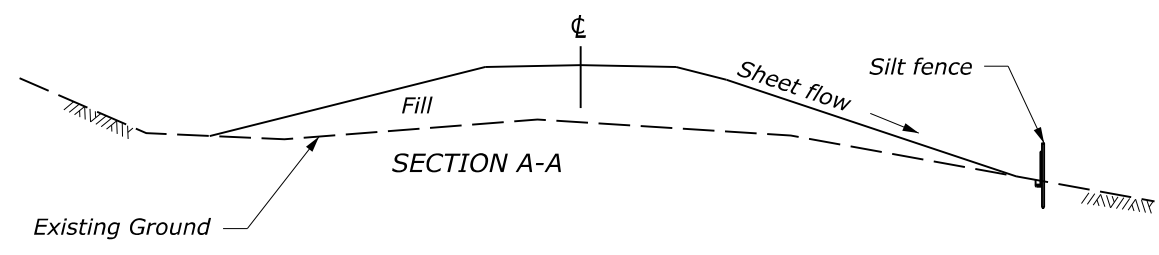
SILT FENCE AS PERIMETER CONTROL



POST AT JOINTS



END POSTS DETAIL



NOTE:

1. Silt fence may be installed using machine slicing as approved. Install machine-sliced silt fence according to the manufacturer's recommendations.
2. Install silt fence to follow the ground contours as closely as possible.
3. As the slope is constructed, curve the silt fence up the slope to prevent water from running around the ends.
4. Post spacing with fence support mesh = 10 foot max. Post spacing without fence support mesh = 6 foot max.
5. Furnish geotextile conforming to subsection 713.16(a).

NO SCALE

U.S. DEPARTMENT OF TRANSPORTATION, FHWA OFFICE OF FEDERAL LANDS HIGHWAY	CFLHD DETAIL C157-50
SILT FENCE	SPECIFICATION FP-24 FP-14
	APPROVED FOR USE 06/2024