

Notes to the Designer

Updated June 2024
Curb, Curb and Gutter

General Information

- All graphics and text will be in the design and layout models. Reference the desired graphics from the layout model into the sheet model for printing.
- **Curb Options**
There is a wide variety of curb options available for use. Some of the more common options are shown on this template drawing. However, you will need to adjust the template drawing to fit your project.

Applicable SCRs

- None

Typical Pay Item Used

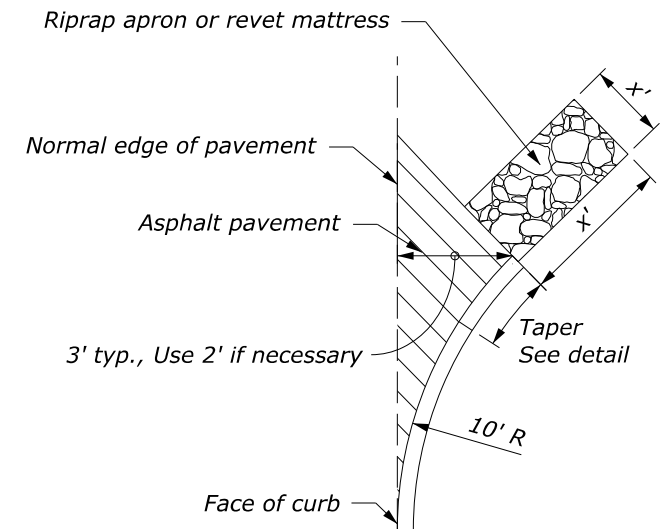
- 60901-#### Curb, Concrete/Asphalt/Stone, #### [LNFT]
- 60902-#### Curb and Gutter, Concrete/Asphalt/Stone, #### [LNFT]

Updates

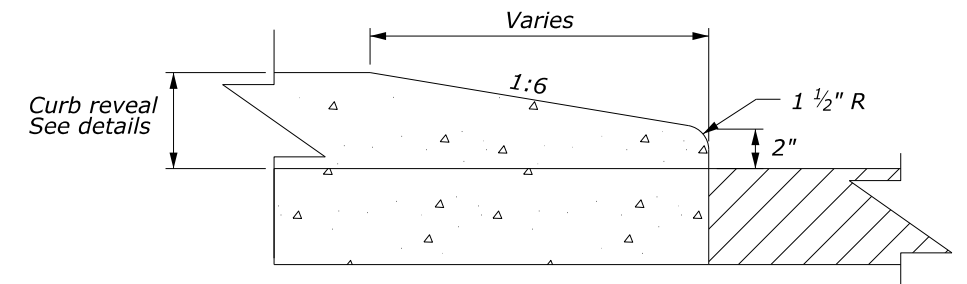
- **Jun2021**
 - Updated for OpenRoads Designer
- **September 2023**
 - Updated border; updated to international foot seed
- **June 2024**
 - Updated for FP24

NOTE:

- 1. Curb for flared curb terminus will be measured under curb items. Adjust as necessary to fit field conditions.
- 2. Riprap andrevet mattress for curb terminus on mainline will be measured under their respective pay items.



FLARED CURB TERMINUS



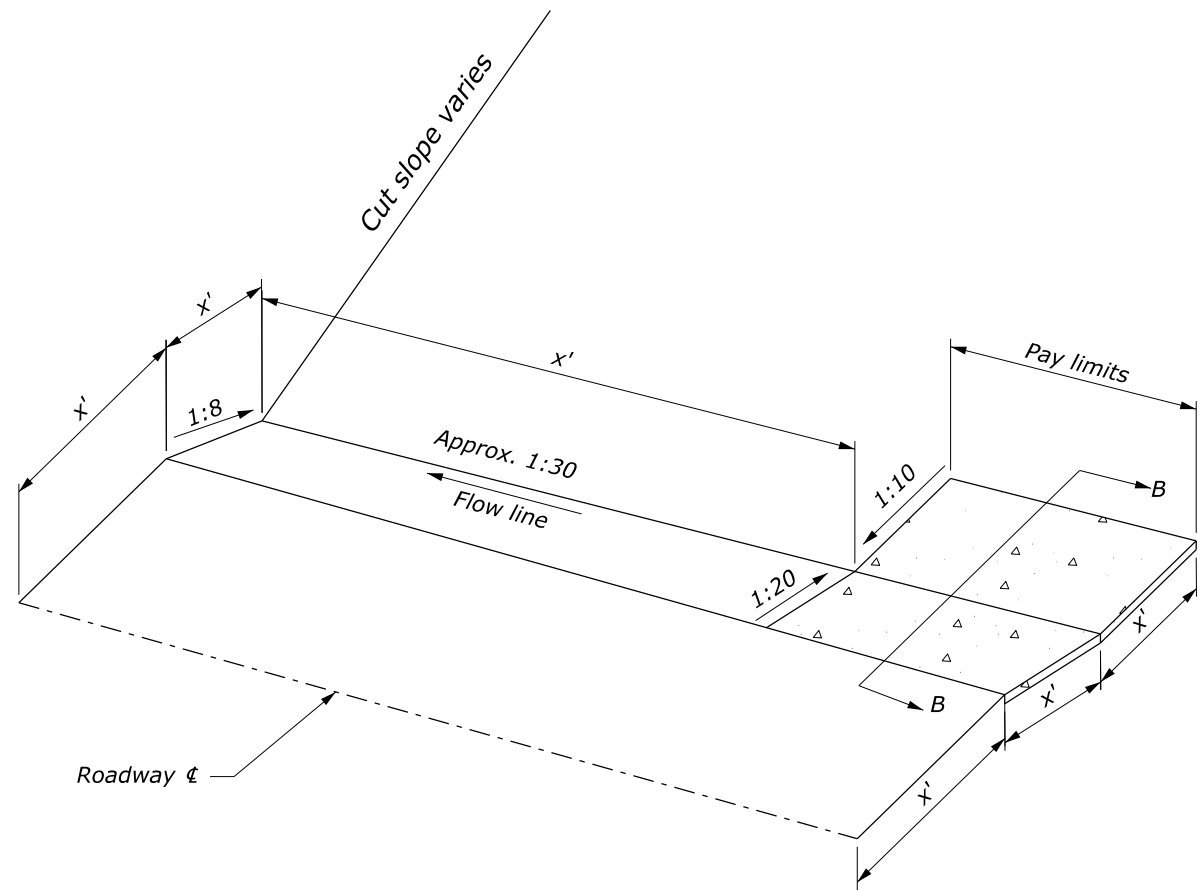
CURB TAPER

CURB DETAILS

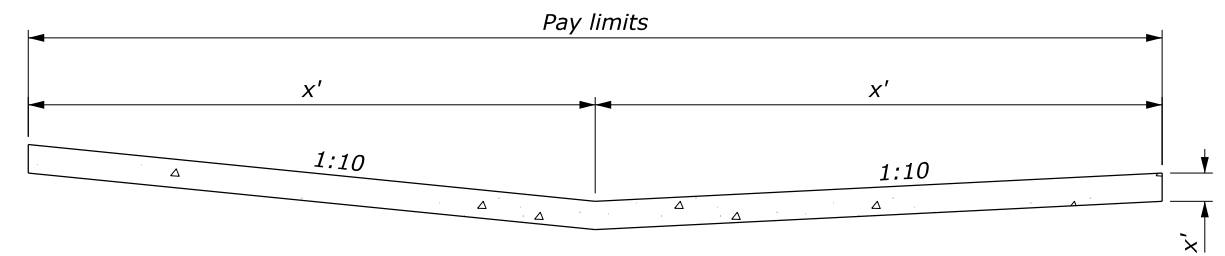
SPECIAL 609-A

NO SCALE

GRATED DITCH TO GUTTER TRANSITION



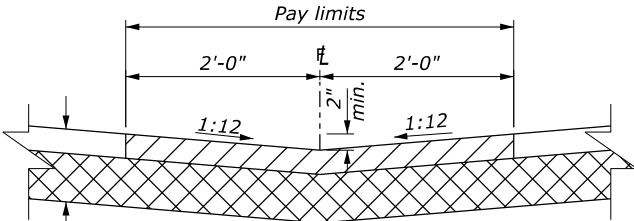
TRANSITION GRADED DITCH



**CONCRETE GUTTER
SECTION B-B**

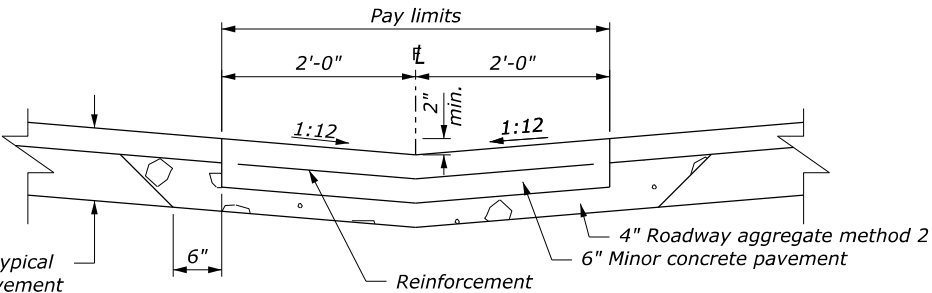
TRANSITION GRADED DITCH TO DRIVEWAY CONCRETE GUTTER

GUTTER



See mainline typical section for pavement structural section

ASPHALT GUTTER

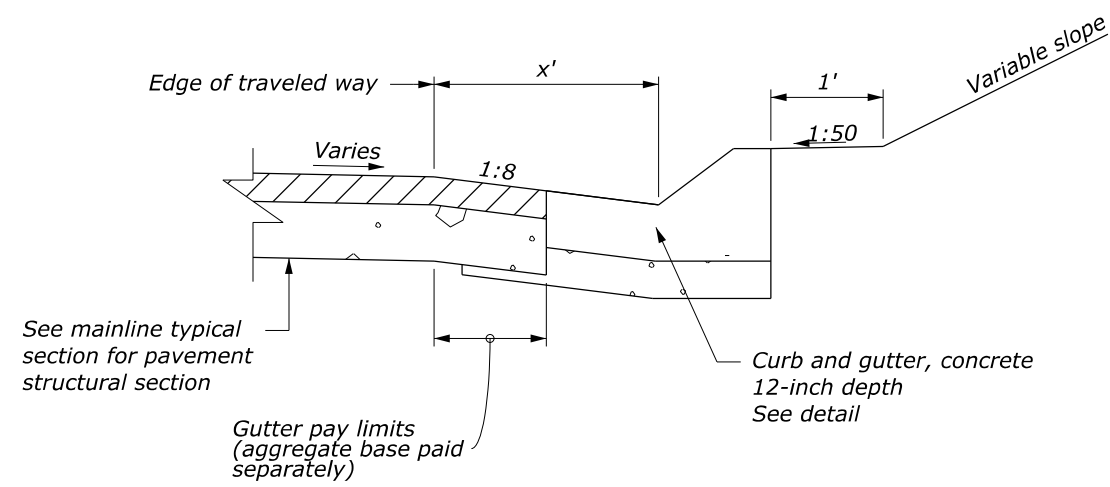


See mainline typical section for pavement structural section

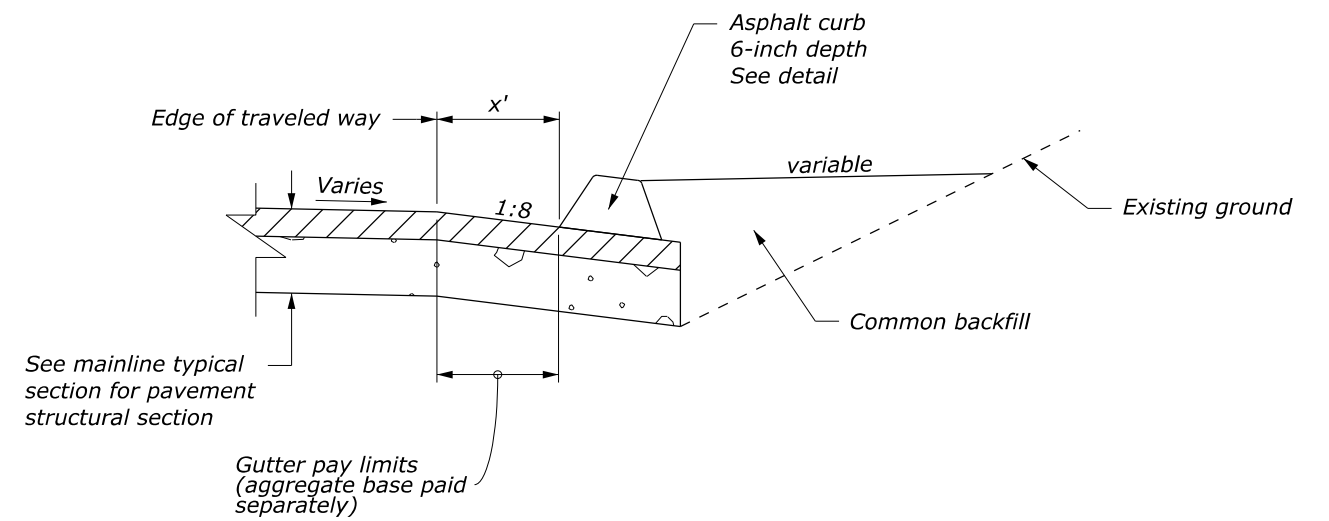
**GUTTER, CONCRETE
6-INCH DEPTH**

#. Locate profile grade of gutters at the flow line.

PAVED GUTTER

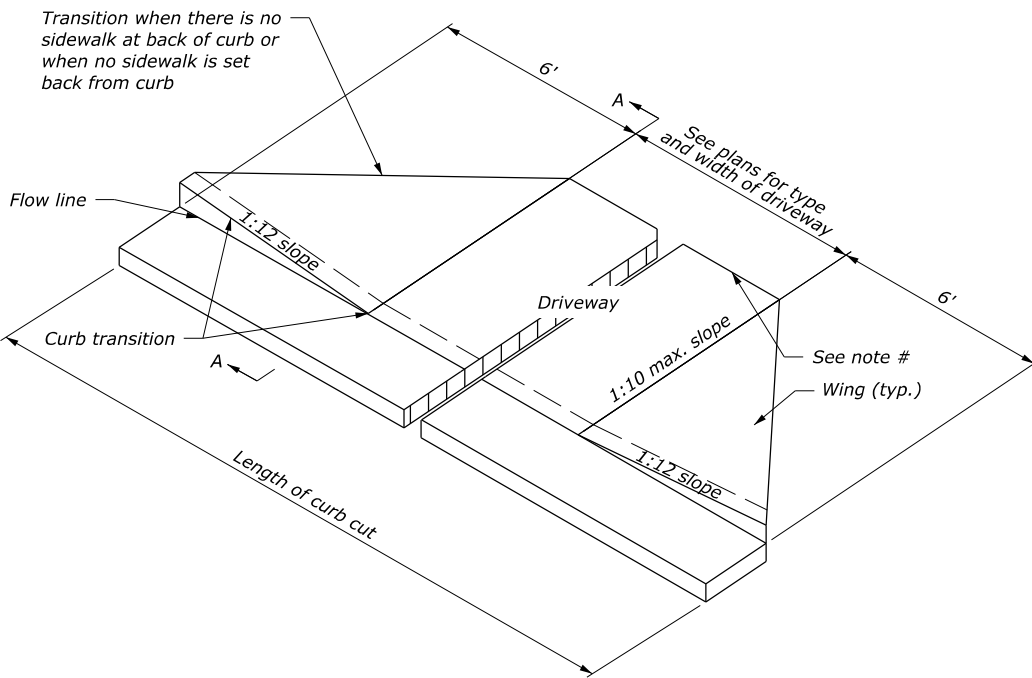


TYPICAL GUTTER SECTION

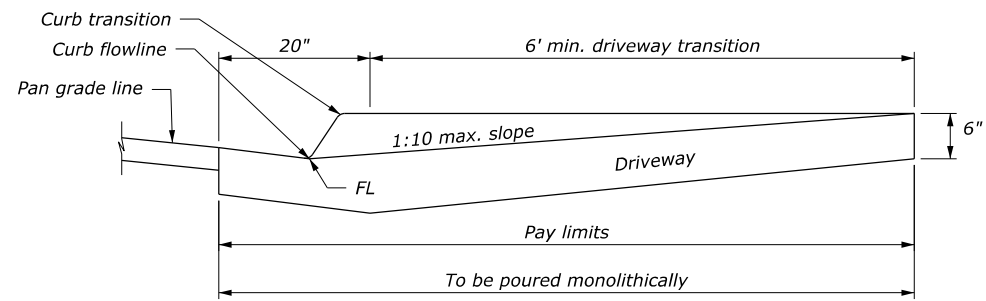


TYPICAL PAVED DITCH SECTION

CURB CUT AT DRIVEWAY WITH GUTTER

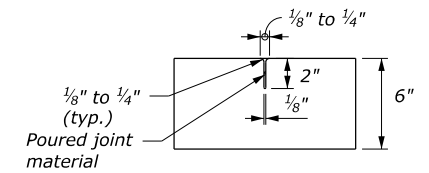


CURB CUT FOR DRIVEWAYS



**CONCRETE GUTTER
SECTION A-A**

**TRANSITION CURB AND GUTTER
TO DRIVEWAY GUTTER, CONCRETE**

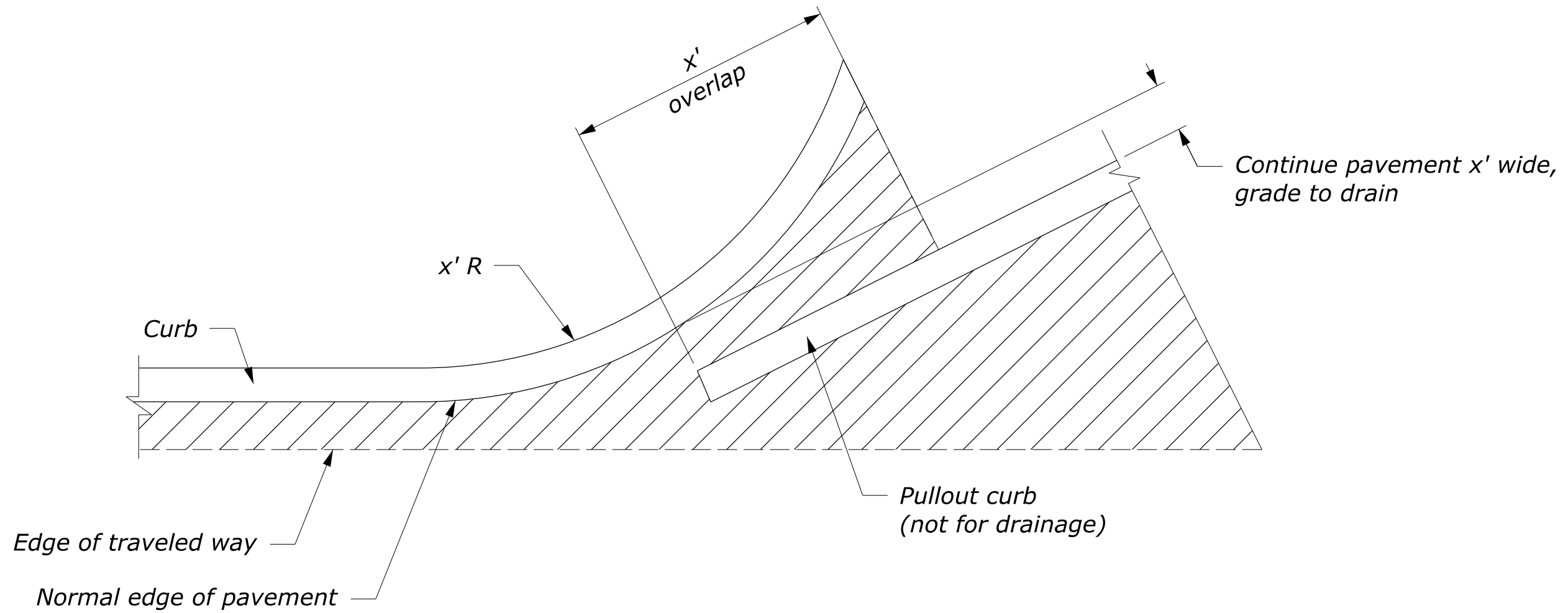


Note: Joint required where length of slab exceeds 15'.

TRANSVERSE CONTRACTION JOINT FOR CONCRETE PAVEMENT (DRIVEWAYS)

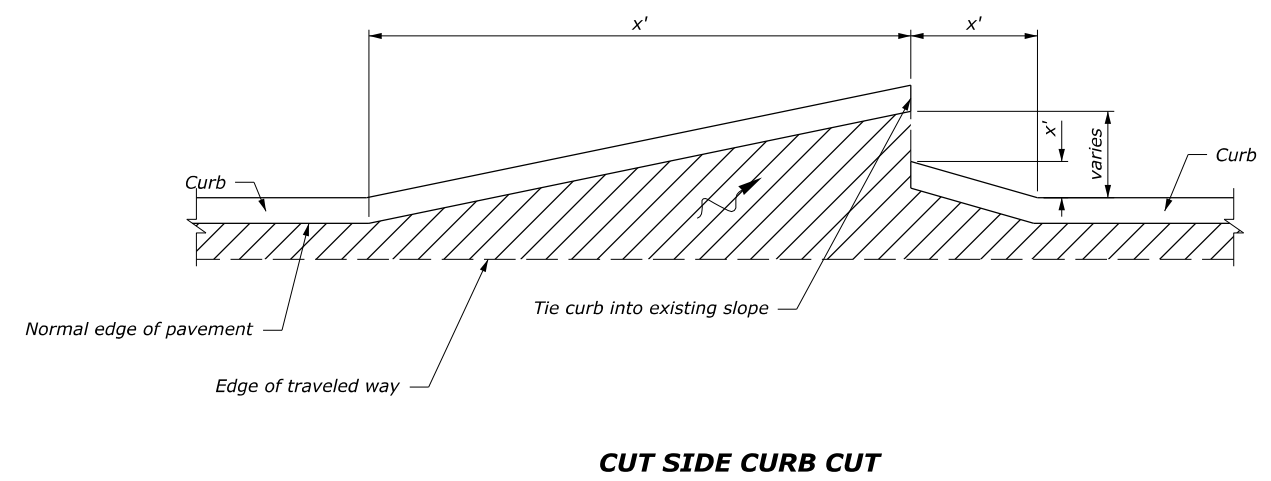
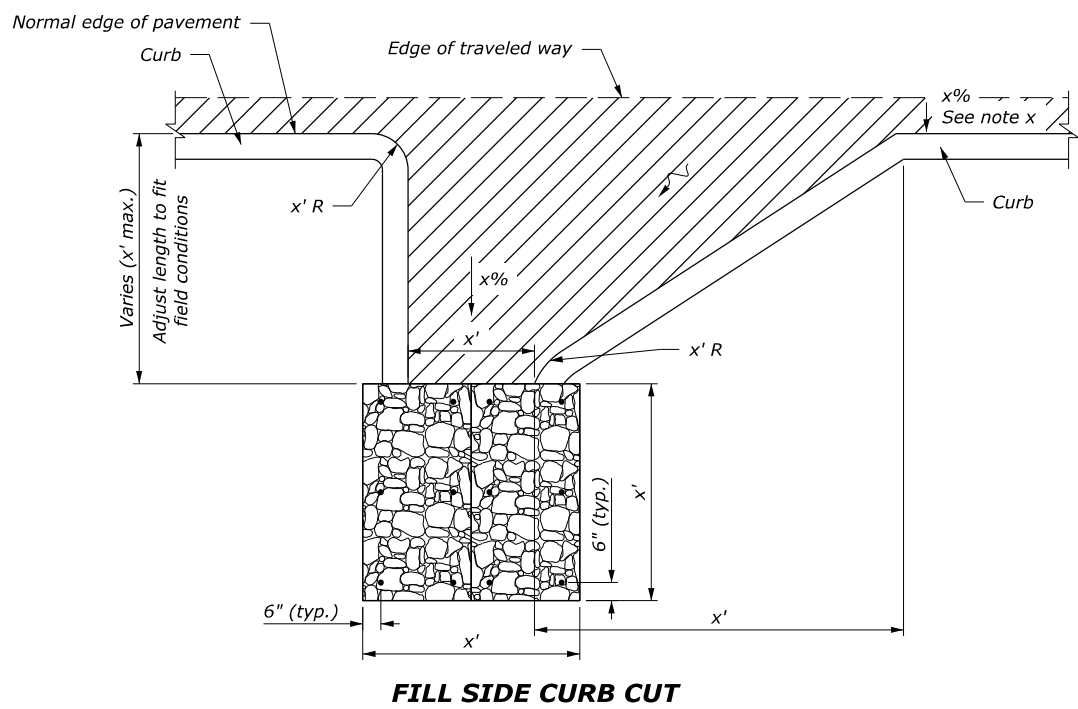
#. Install expansion joints when abutting existing concrete or fixed structure. The expansion joints are $\frac{3}{4}''$ thick and extend the full depth of contact surface.

CURB CUT AT PULLOUT

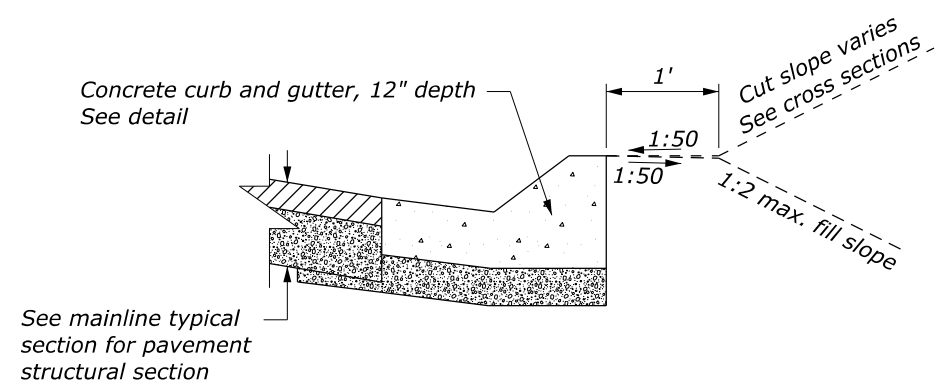


CURB CUT AT PULLOUT

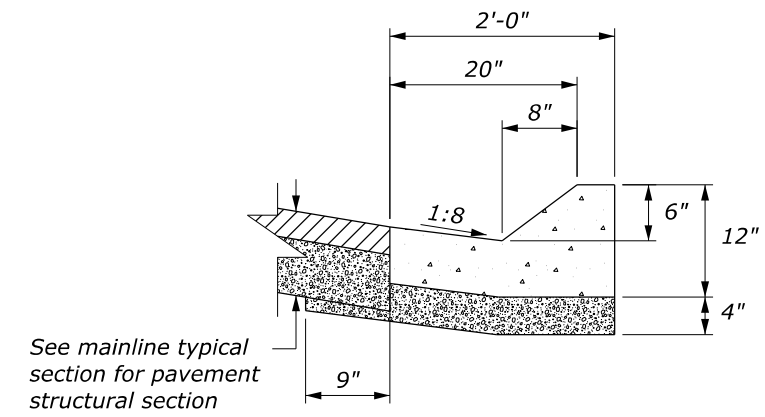
FILL AND CUT SIDE CURB CUTS



CURB and GUTTER

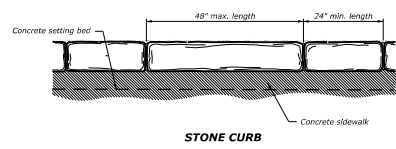


TYPICAL CURB AND GUTTER SECTION

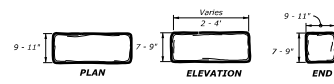


**CURB AND GUTTER,
CONCRETE 12-INCH DEPTH**

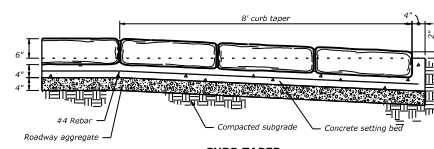
STONE CURB



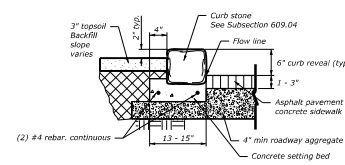
STONE CURB



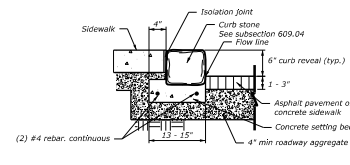
STONE CURB DETAILS



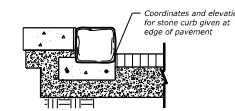
CURB TAPER



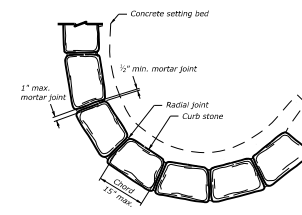
RAISED STONE CURB SECTION
No Sidewalk



RAISED STONE CURB SECTION
Sidewalk and Asphalt Pavement



STONE CURB GEOMETRY

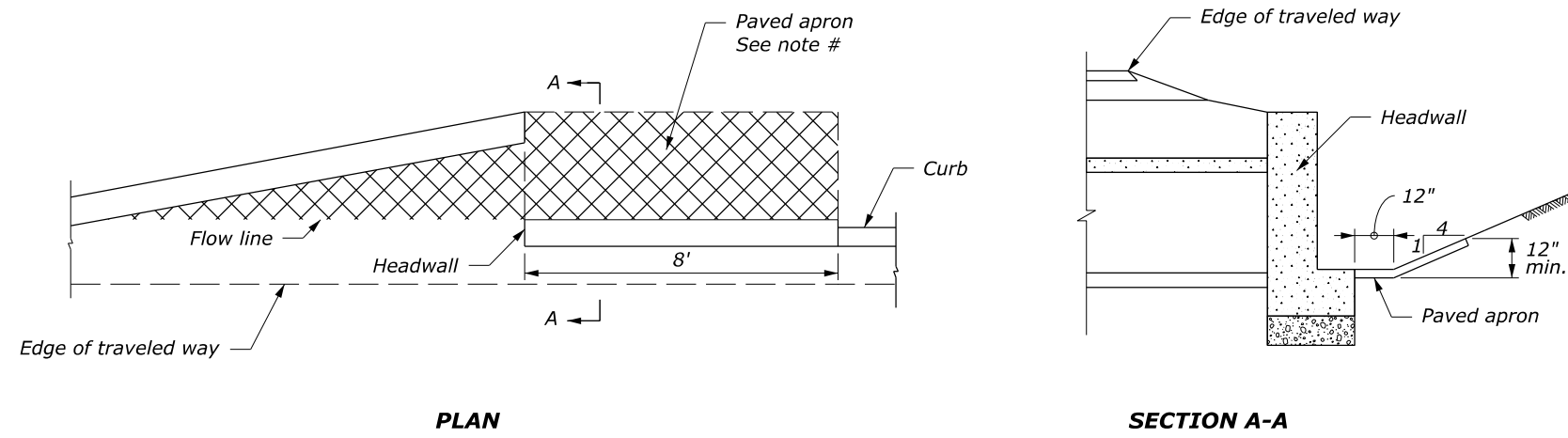


RADIALLY CUT STONE

- #. Maintain 6 inches of curb reveal from top of final asphalt grade abutting curb, to top of curb (typ.).
- #. Ensure mortar joints are flush with curb.
- #. Tamp backfill behind curb a minimum distance of 1 foot. Cover tamped area with 3 inches of topsoil or as approved by the CD.
- #. The stone curb shown on this sheet abuts asphalt paving unless otherwise indicated.
- #. Maintain 2-inch minimum cover on rebar in setting bed.

CURB CUT AT HEADWALL

#. Paved apron paid under item 60905-3000, Gutter, Asphalt.

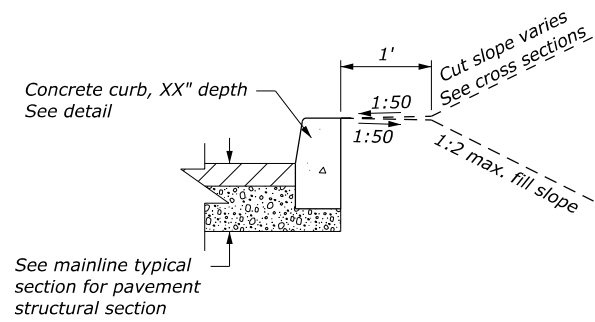


PLAN

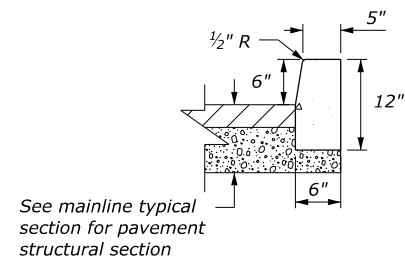
SECTION A-A

CURB CUT AND PAVED APRON AT HEADWALL

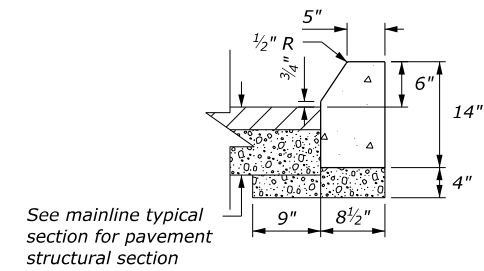
FULL DEPTH CONCRETE CURB



TYPICAL CONCRETE CURB SECTION



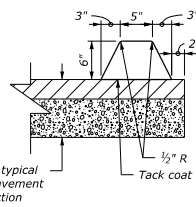
**CONCRETE CURB,
12-INCH DEPTH**



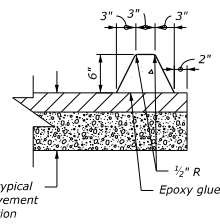
**CONCRETE CURB,
12-INCH DEPTH**

#. Backfill all concrete curbs along gutters.

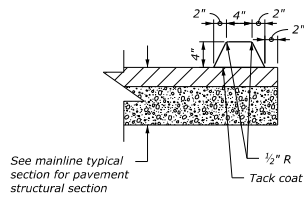
ASPHALT AND GLUE-DOWN CONCRETE CURB



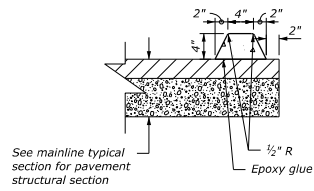
**ASPHALT CURB,
6-INCH DEPTH**



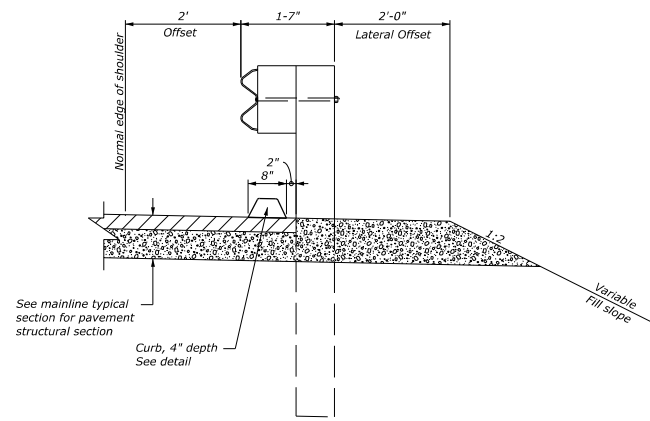
**CONCRETE CURB,
6-INCH DEPTH
(GLUE-DOWN)**



**ASPHALT CURB,
4-INCH DEPTH**



**CONCRETE CURB,
4-INCH DEPTH
(GLUE-DOWN)**



**TYPICAL CURB
AT GUARDRAIL LOCATIONS**

#. See miscellaneous summaries for locations of asphalt curb.
#. The placement of asphalt curb may be adjusted by the CO.