

Notes to the Designer

Updated June 2024

Underdrain

General Information

- All graphics and text will be in the design and drawing models. Only use the sheet model for printing.

Applicable SCRs

- None

Typical Pay Item Used

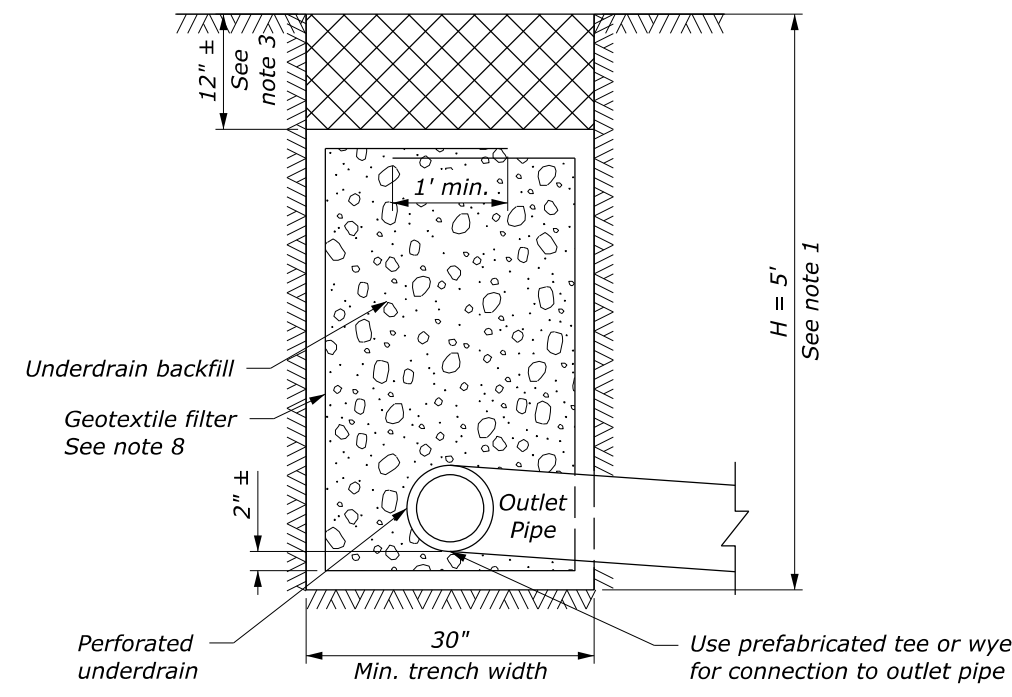
- 60501-0000 Standard underdrain system [LNFT]
- 60502-0000 Geocomposite underdrain system [LNFT]

Updates

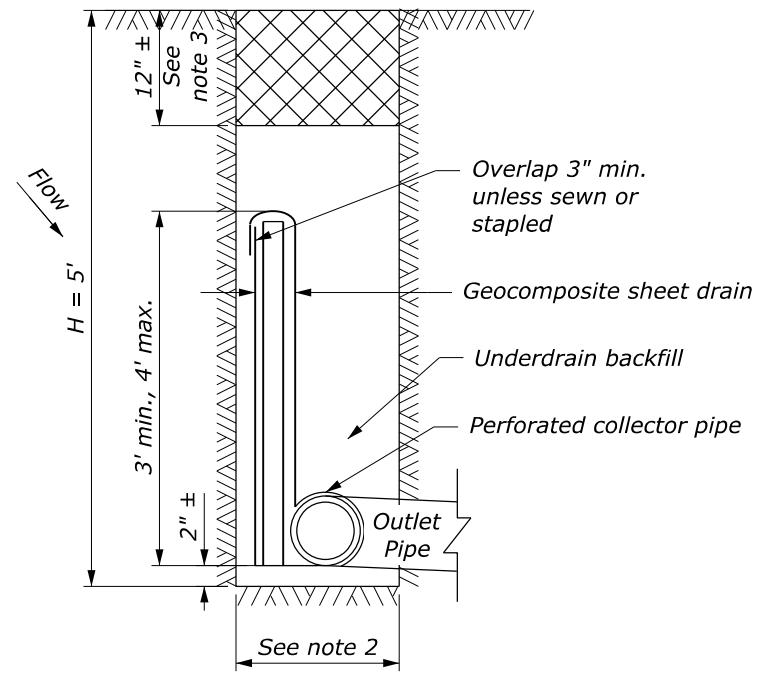
- **June 2021**
 - Updated for OpenRoads Designer
- **September 2023**
 - Updated border; updated to international foot seed
- **June 2024**
 - Updated for FP24

NOTE:

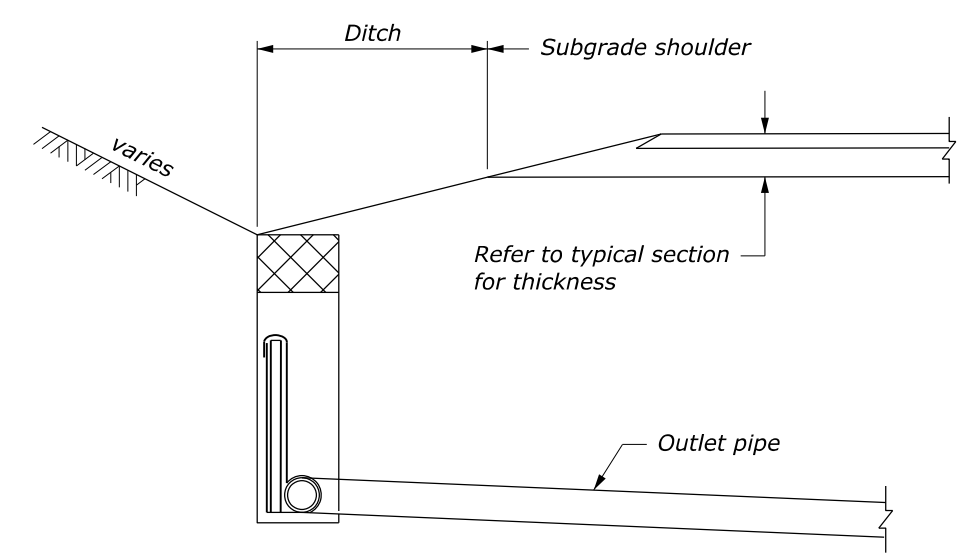
1. Install underdrain at a 5 foot depth unless shown otherwise. Construct the flowline gradient parallel to the roadway, unless solid rock is encountered, or gradient is required at the outlet.
2. Use the minimum width required for installation.
3. Fill and compact the top 12 inches of the trench with impermeable material (A4-A7 soil).
4. Cover the end of the outlet pipe with screen according to Subsection 605.03. Hold the screen securely in place with standard coupling bands or by other approved means.
5. Mark the outlet of the underdrain with a delineator post or other suitable marker.
6. Furnish geocomposite sheet drain meeting the requirements of Subsection 714.02.
7. Furnish collector pipe, outlet pipe and fittings meeting the requirements of Subsection 708.04.
8. Furnish geotextile filter type conforming to Subsection 714.01(c).



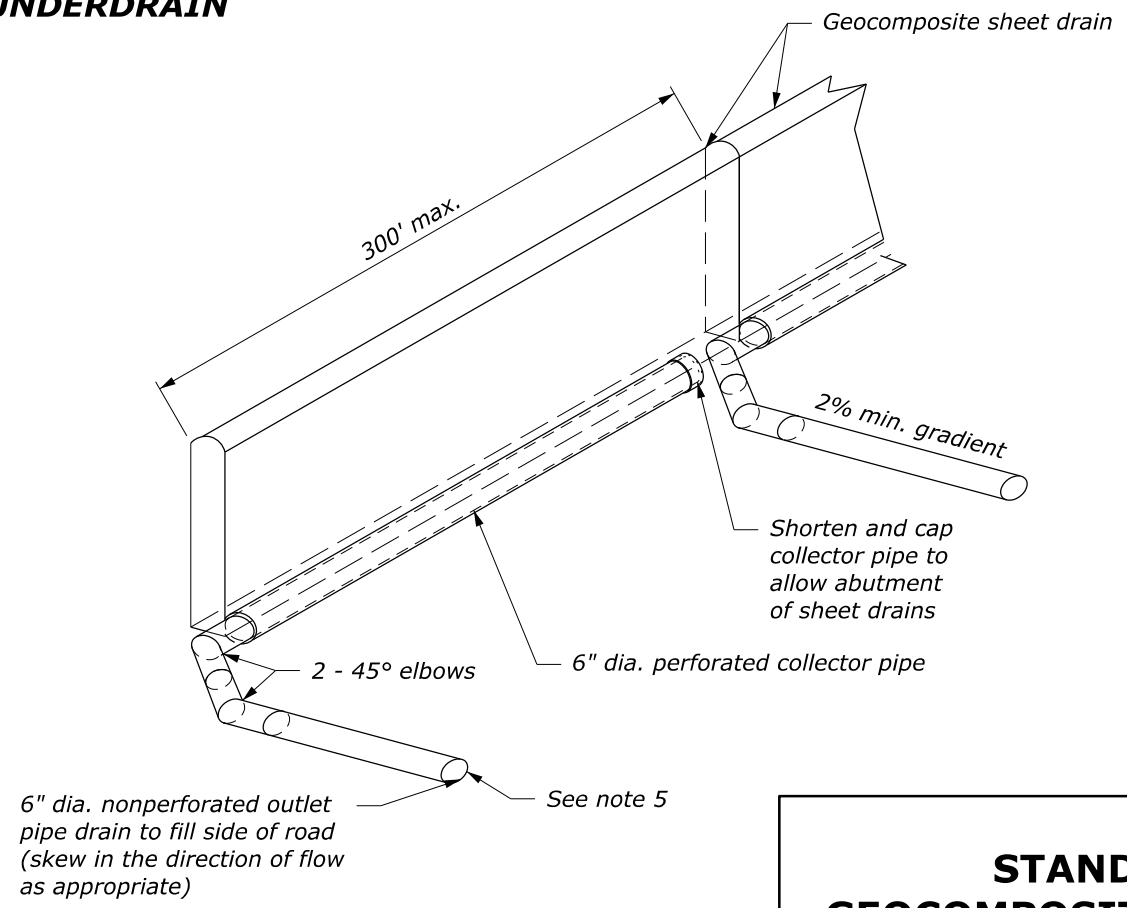
STANDARD UNDERDRAIN



GEOCOMPOSITE UNDERDRAIN



STANDARD UNDERDRAIN OR GEOCOMPOSITE UNDERDRAIN LOCATION



OUTLET PIPE DETAIL

NO SCALE

STANDARD AND GEOCOMPOSITE UNDERDRAINS

SPECIAL 605-A